

PRODUCT: SPJ-PCL-A42-SM

WEIGHT: 114 lbs.

CONCRETE COLOR:

- COAST
- CONCRETE
- CARBON
- CLAY
- BARK

CONCRETE TEXTURE:

- ETCHED
- POLISHED

QUANTITY: _____

SEALER: STD. SEALER 4200

GENERAL PRODUCT NOTES:

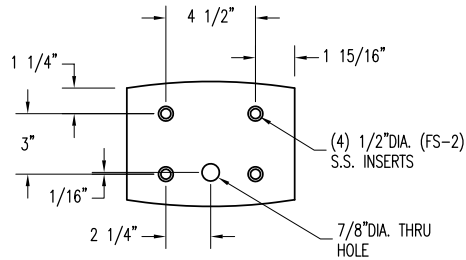
E = EXPOSED FINISHED SURFACE

INSTALLATION IS REQUIRED BY OTHERS.

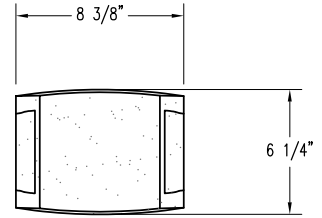
ALL EDGES TO BE EASED.

MANUFACTURING TOLERANCE $\pm 1/4"$.

2700K STANDARD ELECTRICAL TEMPERATURE: 120-277V



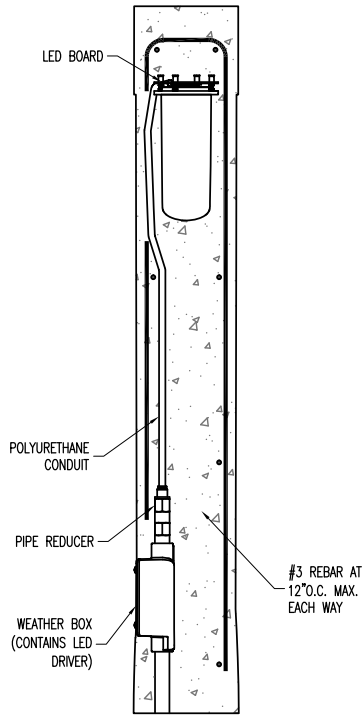
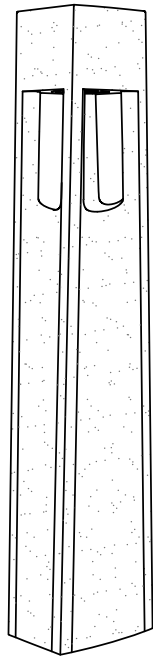
BOTTOM VIEW



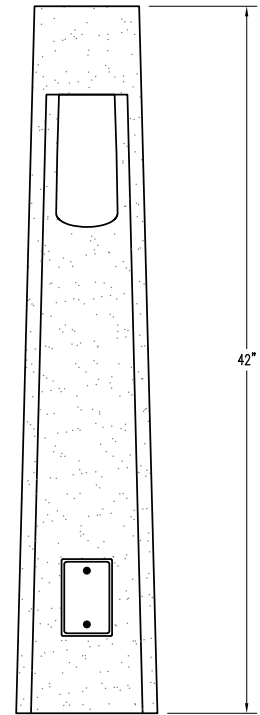
PLAN VIEW



PERSPECTIVE VIEW



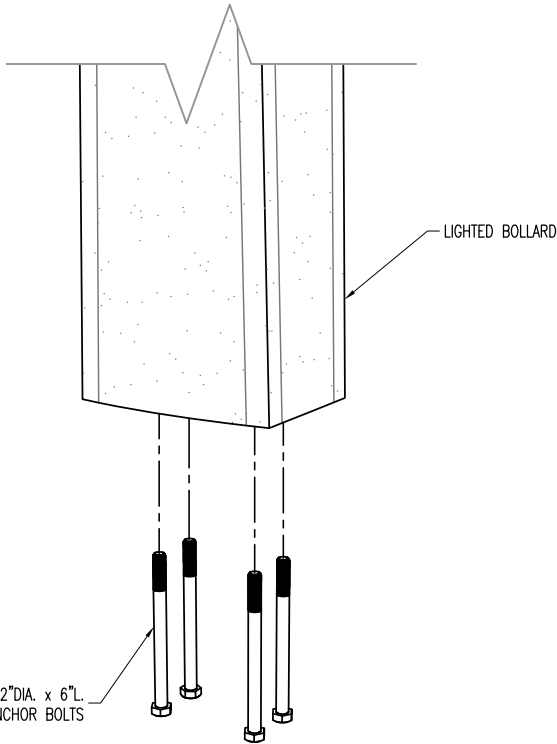
SECTION VIEW



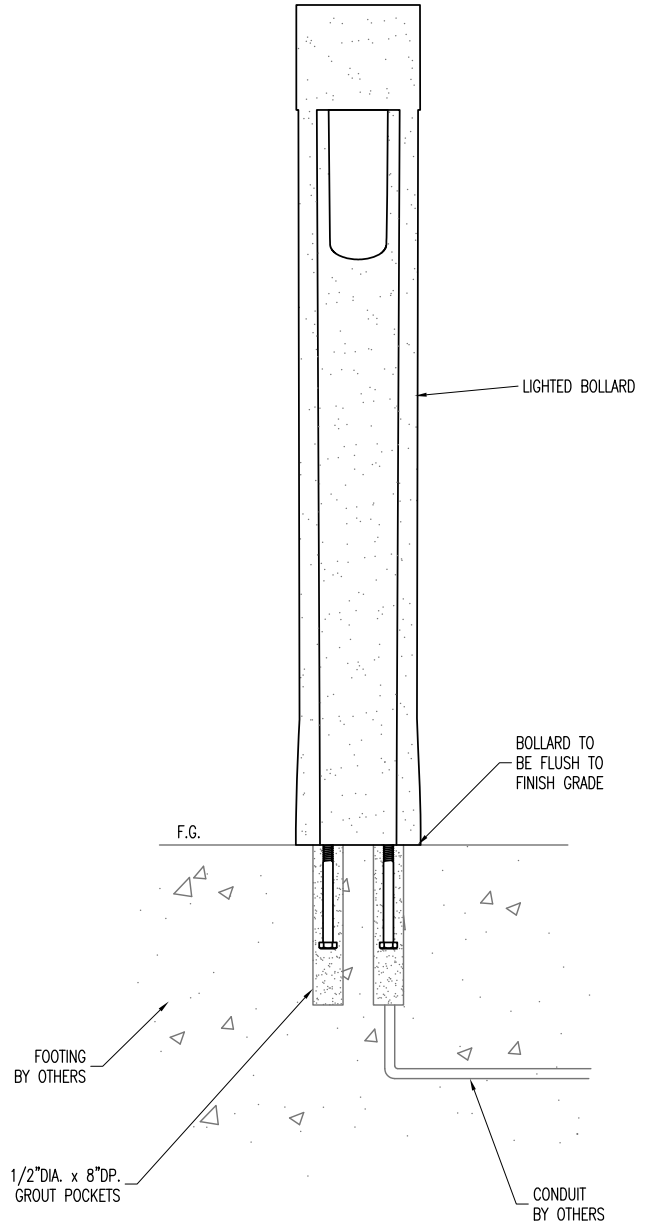
ELEVATION VIEW

SPJ LIGHTING Inc.
ARCHITECTURAL LANDSCAPE & OUTDOOR LIGHTING

PLAN TYPE	CONSTRUCTION PLAN	DATE	FILE NO.	SHEET
PRODUCT	SPJ-PCL-A42-SM LIGHTED BOLLARD SURFACE MOUNT	11/3/20	018_ST-BOL-A42-SM	1
PROJECT NAME		SCALE	DRAWN BY:	OF
		1 1/4" = 1'	W.R.	2
		PC. NO.	QC ITEM NO.	



PERSPECTIVE VIEW
N.T.S.



INSTALLATION VIEW
N.T.S.

<p>ARCHITECTURAL LANDSCAPE & OUTDOOR LIGHTING</p>	PLAN TYPE	INSTALLATION PLAN	DATE	FILE NO.	SHEET
	PRODUCT	SPJ-PCL-A42-SM LIGHTED BOLLARD SURFACE MOUNT	11/3/2018	8a_ST-BOL-A42-SM IN	2
	PROJECT NAME		SCALE	DRAWN BY:	OF
			1 1/4" = 1'	W.R.	2
			PC. NO.	QC ITEM NO.	