

PRODUCT: SPJ-PCL-A42-BG

WEIGHT: 138 lbs.

CONCRETE COLOR:

- COAST
- CONCRETE
- CARBON
- CLAY
- BARK

CONCRETE TEXTURE:

- ETCHED
- POLISHED

QUANTITY: _____

SEALER: STD. SEALER 4200

GENERAL PRODUCT NOTES:

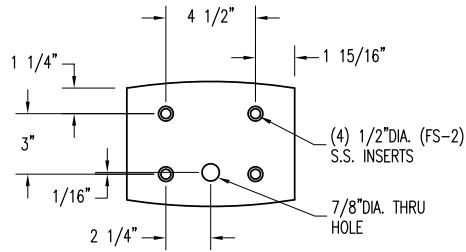
E = EXPOSED FINISHED SURFACE

INSTALLATION IS REQUIRED BY OTHERS.

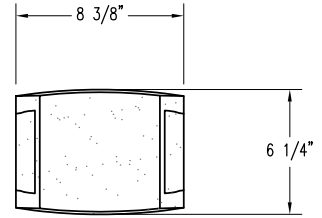
ALL EDGES TO BE EASED.

MANUFACTURING TOLERANCE $\pm 1/4"$.

2700K STANDARD ELECTRICAL TEMPERATURE: 120-277V



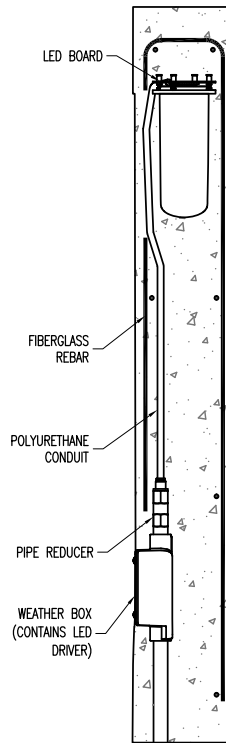
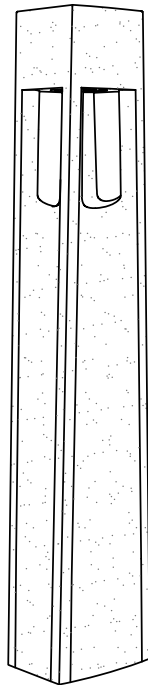
BOTTOM VIEW



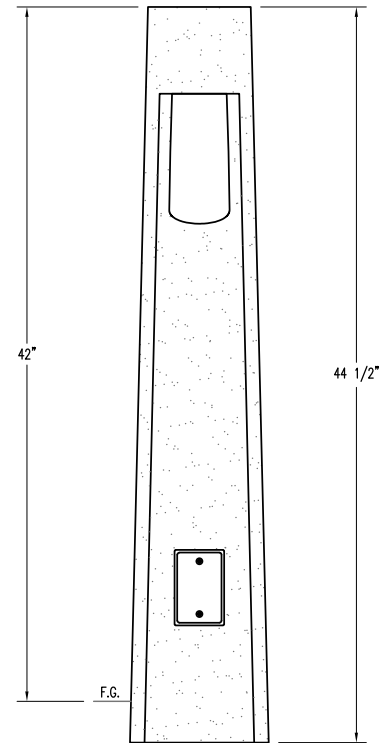
PLAN VIEW



PERSPECTIVE VIEW



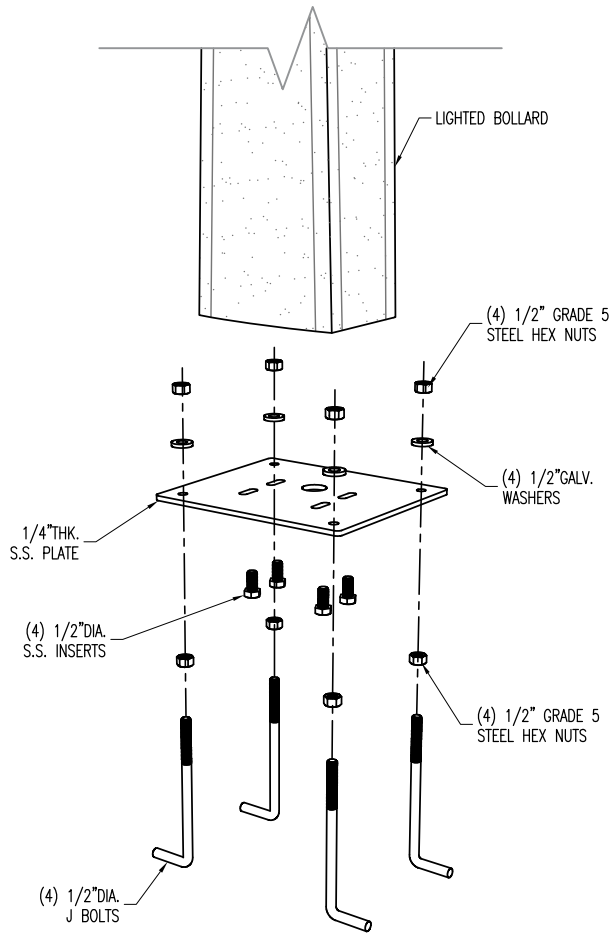
SECTION VIEW



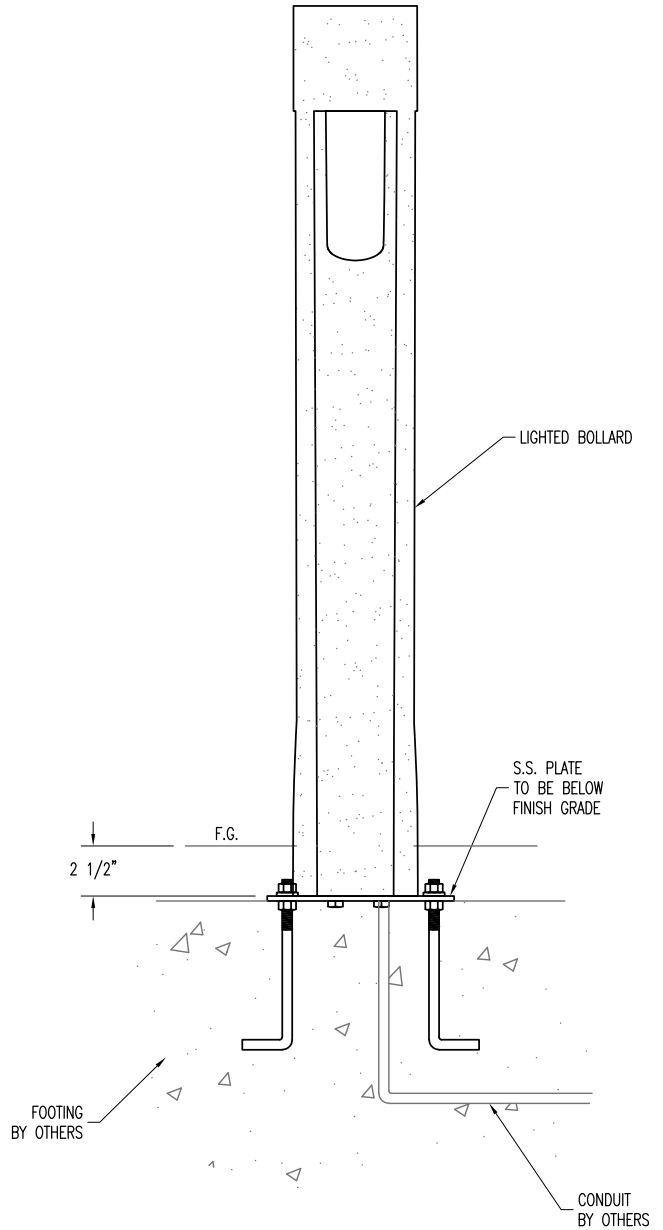
ELEVATION VIEW

SPJ LIGHTING Inc.
ARCHITECTURAL LANDSCAPE & OUTDOOR LIGHTING

| | | | | |
|--------------|--|-------------|-------------------|-------|
| PLAN TYPE | CONSTRUCTION PLAN | DATE | FILE NO. | SHEET |
| PRODUCT | SPJ-PCL-A42-BG LIGHTED BOLLARD BELOW GRADE | 11/3/20 | 017_ST-BOL-A42-BG | 1 |
| PROJECT NAME | | SCALE | DRAWN BY: | OF |
| | | 1 1/4" = 1' | W.R. | 2 |
| | | PC. NO. | QC ITEM NO. | |



PERSPECTIVE VIEW
N.T.S.



INSTALLATION VIEW
N.T.S.

| | | | | | |
|---|--------------|--|-------------------------------|-------------|-------|
| <p>ARCHITECTURAL LANDSCAPE & OUTDOOR LIGHTING</p> | PLAN TYPE | INSTALLATION PLAN | DATE | FILE NO. | SHEET |
| | PRODUCT | SPJ-PCL-A42-BG LIGHTED BOLLARD BELOW GRADE | 11/3/20 017a_ST-BOL-A42-BG IN | SCALE | 2 |
| | PROJECT NAME | | 1 1/4" = 1' | DRAWN BY: | OF |
| | | | PC. NO. | QC ITEM NO. | 2 |