



Forever Bright

SPECIFICATION FEATURES

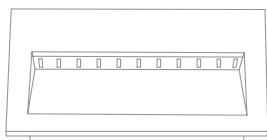
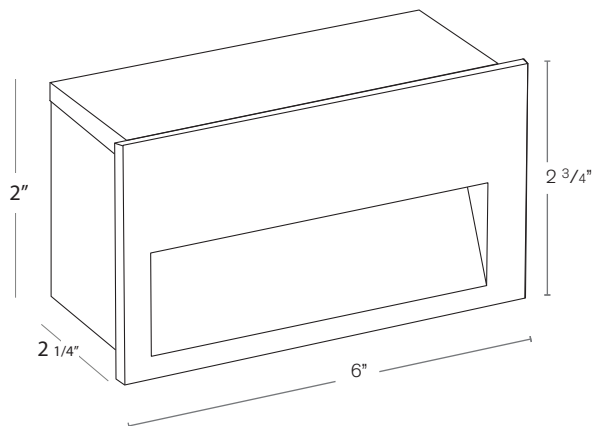
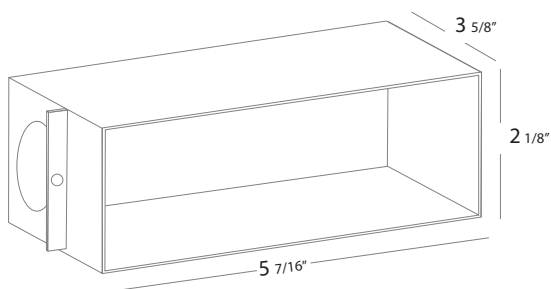


Model: **SPJ-MSL6**
Finish: Satin Brass

- Finish:** Our naturally etched finishes will withstand the test of time. All finishes are individually treated insuring consistency. Our meticulous application results in a fixture that truly becomes "a one of a kind".
- Electrical:** Available in 9-15V or 120V
- Labels:** ETL Standard Wet Label
C-ETL

DESCRIPTION

- Model#:** SPJ-MSL6
- Material:** Solid Brass
- Electrical:** 9-15V or 120V
- Engine:** FB-3LS-3"
- Lumen Range:** 250
- Color Temp:** 2700k
- Mounting:** Recessed
- LED:** Nichia



Alternate View



Wet Listed



ORDERING INFORMATION

Model#	Finishes	Wattage	Lumen Range	Color Temp.	Electrical
SPJ-MSL6	SB	4W	250	2700K	9-15V

- V = Verde
- M = Moss
- AG = Aged Brass
- MBR = Matte Bronze
- RC = Raw Copper
- GM = Gun Metal
- B = Black
- R = Rusty
- SB = Satin Brass
- PVDS = PVD Satin
- 4W
- 250
- 2700K
- 4000K
- 6500K
- 9-15V
- 120V

WWW.SPJLIGHTING.COM