



Forever Bright

SPECIFICATION FEATURES



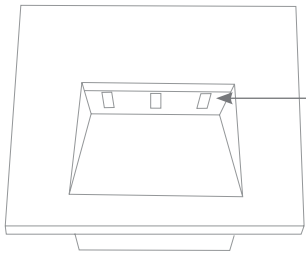
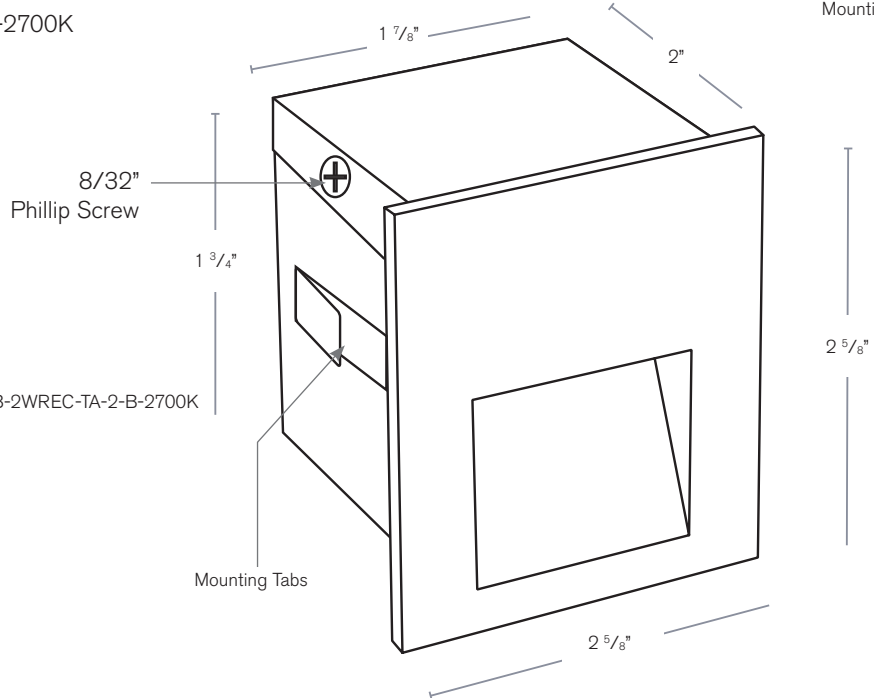
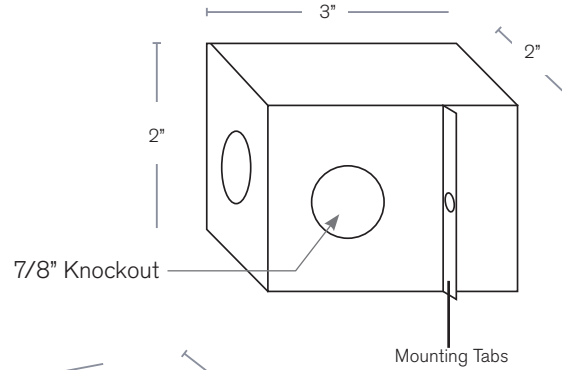
Model: **SPJ-MSL2**
 Finish: PVD Graphite

- Finish:** Our naturally etched finishes will withstand the test of time. All finishes are individually treated insuring consistency. Our meticulous application results in a fixture that truly becomes "a one of a kind".
- Electrical:** Available in 9-15V or 120V
- Labels:** ETL Standard Wet Label
C-ETL

Recessed Fixture

DESCRIPTION

- Model#:** SPJ-MSL2
- Engine:** FB-2WREC-TA-2-B-2700K
- Wattage:** 2W
- Lumens:** 125
- Color Temp:** 2700K
- Electrical:** 9-15V, 120V
- LED:** Nichia



Alternate View



Wet Listed



ORDERING INFORMATION

Model#	Finishes	Wattage	Lumens	Color Temp.	Electrical
SPJ-MSL2	PVDG	2W	125	2700K	9-15V

- | | | | | | |
|--------------------|---------------------|----|-----|-------|-------|
| V = Verde | B = Black | 2W | 125 | 3500K | 9-15V |
| M = Moss | R = Rusty | | | 4000K | 120V |
| AG = Aged Brass | PVDP = PVD Polished | | | 5000K | |
| MBR = Matte Bronze | PVDS = PVD Satin | | | 6500K | |
| SB = Satin Brass | PVDG = PVD Graphite | | | | |
| GM = Gun Metal | | | | | |

WWW.SPJLIGHTING.COM