

## SPJ-MS6

### SPECIFICATION FEATURES

- Finish:** Our naturally etched finishes will withstand the test of time. All finishes are individually treated insuring consistency. Our meticulous application results in a fixture that truly becomes "a one of a kind".
- Electrical:** Available in 12V
- Labels:** ETL Standard Wet Label  
C-ETL

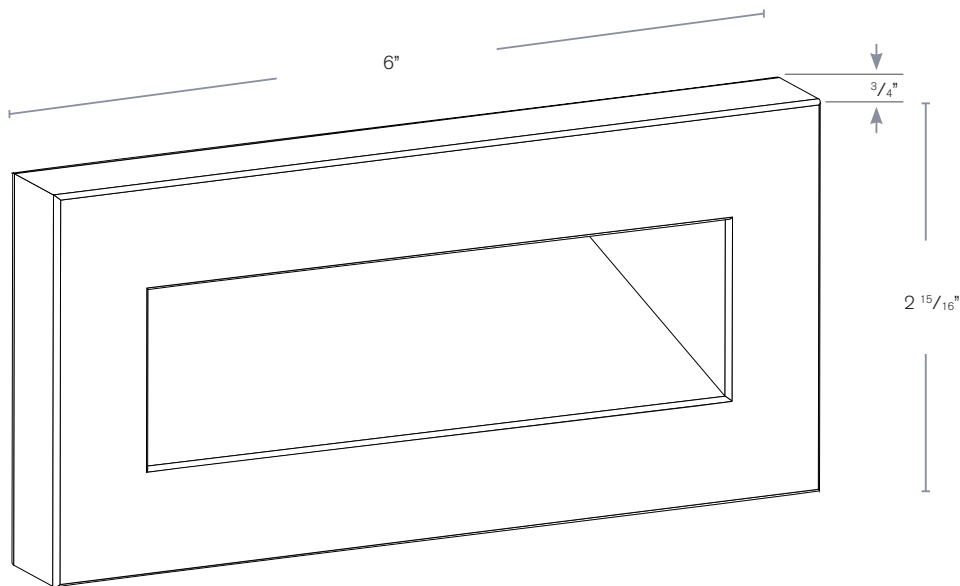


Model: **SPJ-MS6**

### Surface Mount

### DESCRIPTION

- Model:** SPJ-MS6  
**Shown:** Raw Copper  
**Material:** Solid Brass or Copper  
**Finish:** Specify  
**Electrical:** 12V  
**Engine:** 3" Strip  
**Lumens:** 200  
**Color Temp:** 2700K  
**LED:** Nichia Forever Bright  
**Mounting:** Surface



Wet Listed

SPJ Approval	Customer Approval
--------------	-------------------

### ORDERING INFORMATION

Model#	Finishes	Wattage	Lumens	Color Temp.	Electrical
<b>SPJ-MS6</b>	<b>RC</b>	<b>3W</b>	<b>200</b>	<b>2700K</b>	<b>12V</b>

- V = Verde      GM = Gun Metal  
M = Moss      B = Black  
AG = Aged Brass      R = Rusty  
MBR = Matte Bronze      PVDP = PVD Polished  
SB = Satin Brass      PVDS = PVD Satin