

## SPJ-MS2

### SPECIFICATION FEATURES

- Finish:** Our naturally etched finishes will withstand the test of time. All finishes are individually treated insuring consistency. Our meticulous application results in a fixture that truly becomes "a one of a kind".
- Electrical:** Available in 12V
- Labels:** ETL Standard Wet Label  
C-ETL

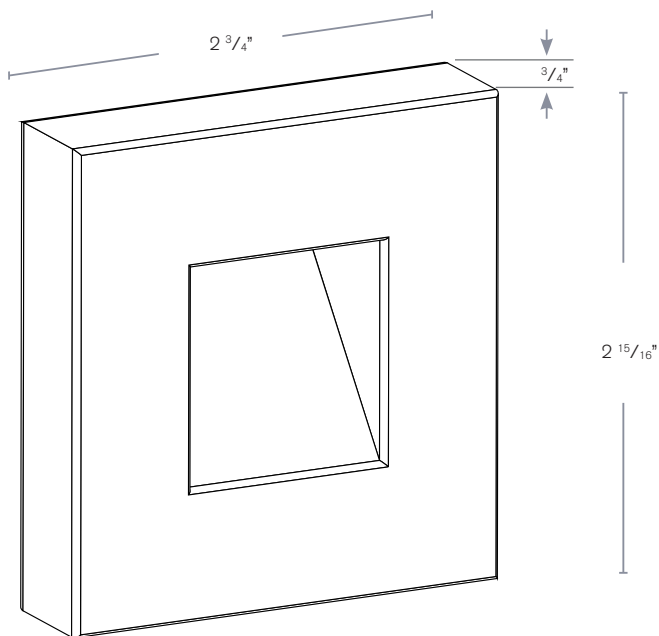


Model: **SPJ-MS2**

### Surface Mount

### DESCRIPTION

- Model:** SPJ-MS2  
**Shown:** PVD Satin  
**Material:** Solid Brass or Copper  
**Finish:** Specify  
**Electrical:** 12V  
**Engine:** FB-2WREC  
**Lumens:** 150  
**Color Temp:** 27K, 3K, 35K, 4K, 5K, Amber  
**Mounting:** Surface  
**LED:** Nichia Forever Bright



Wet Listed

**SPJ Approval**

**Customer Approval**

### ORDERING INFORMATION

Model#	Finishes	Wattage	Optics	Lumens	Color Temp.	Electrical
<b>SPJ-MS2</b>	<b>PVDS</b>	<b>2W</b>		<b>150</b>	<b>2700K</b>	<b>12V</b>

V = Verde      B = Black  
M = Moss      R = Rusty  
AG = Aged Brass      PVDP = PVD Polished  
MBR = Matte Bronze      PVDS = PVD Satin  
SB = Satin Brass

Spot  
Flood  
Wide Flood  
Wide Angle Flood

150

2700K  
3000K  
3500K  
4000K  
5000K  
Amber

12V