

Forever Bright

SPECIFICATION FEATURES

Finish: Our naturally etched finishes will withstand the test of time. All finishes are individually treated insuring consistency. Our meticulous application results in a fixture that truly becomes "a one of a kind".



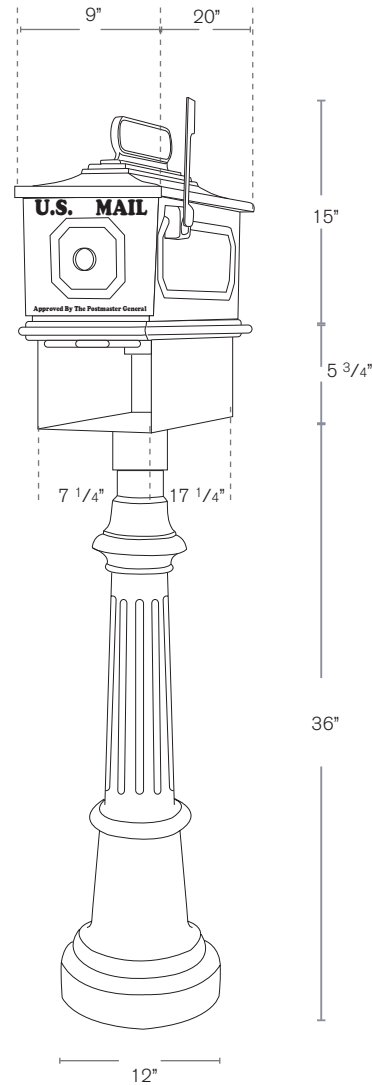
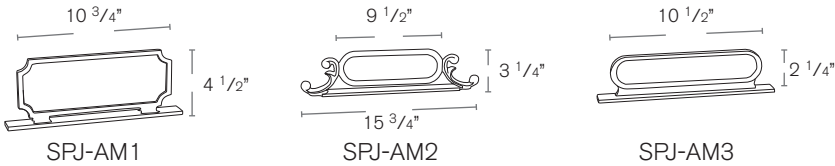
Model: **SPJ-MBNP-2**
Finish: Powdercoat Bronze

Mailbox

DESCRIPTION

- Model#:** SPJ-MBNP-2
- Finish:** Powdercoat Bronze
- Material:** Aluminum
- Mounting:** Concrete Footing

Mail Plates



Wet Listed



ORDERING INFORMATION

Model#	Finishes	Plate	Numbers
SPJ-MBNP-2	PCBR	SPJ-AM3	-

PCBR = Powdercoat Bronze
PCB = Powdercoat Black
PCW = Powdercoat White
CPC = Custom Powdercoat

SPJ-AM1
SPJ-AM2
SPJ-AM3