



Forever Bright

SPECIFICATION FEATURES

Finish: Our naturally etched finishes will withstand the test of time. All finishes are individually treated insuring consistency. Our meticulous application results in a fixture that truly becomes "a one of a kind".



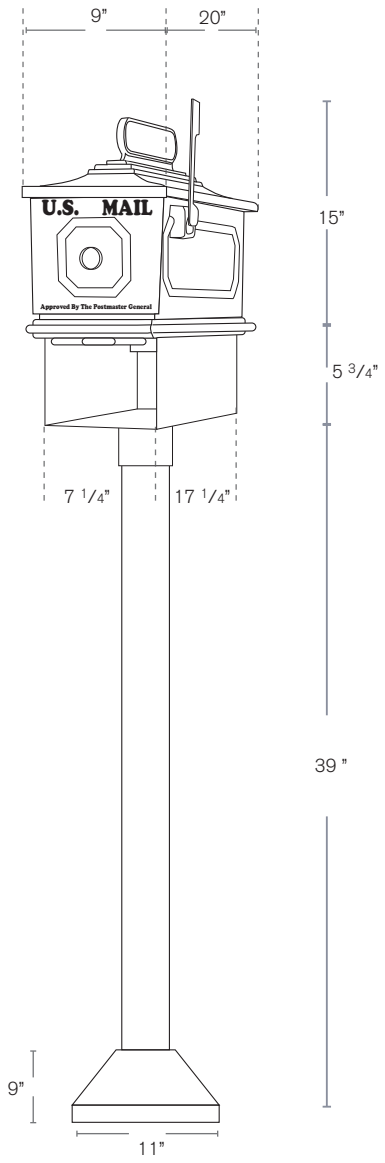
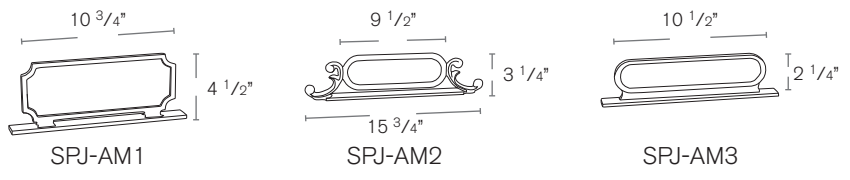
Model: **SPJ-MBNP1**
Finish: Powdercoat Bronze

Mailbox

DESCRIPTION

- Model#:** SPJ-MBNP1
- Finish:** Powdercoat Bronze
- Material:** Solid Brass
- Mounting:** Concrete Footing

Mail Plates



ORDERING INFORMATION

Model#	Finishes	Plate	Numbers
SPJ-MBNP1	PCBR	SPJ-AM3	-

- PCBR = Powdercoat Bronze
- PCB = Powdercoat Black
- PCW = Powdercoat White
- CPC = Custom Powdercoat
- SPJ-AM1
- SPJ-AM2
- SPJ-AM3