



# Forever Bright

## SPECIFICATION FEATURES



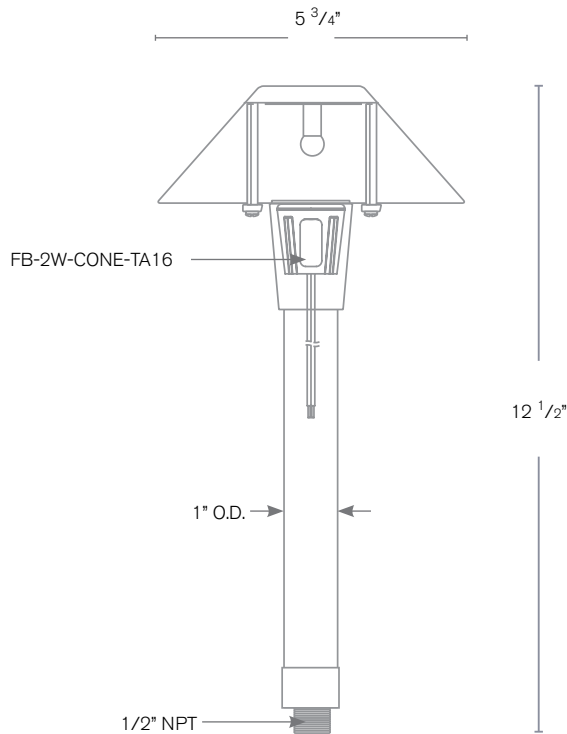
Model: **SPJ-MA-20-PETITE**  
Finish: Matte Bronze

- Finish:** Our naturally etched finishes will withstand the test of time. All finishes are individually treated insuring consistency. Our meticulous application results in a fixture that truly becomes "a one of a kind".
- Electrical:** Available in 8-15V
- Labels:** ETL Standard Wet Label  
C-ETL

### Path / Area Light

### DESCRIPTION

- Model#:** SPJ-MA-20-PETITE
- Material:** Solid Brass
- Electrical:** 8-15V
- Engine:** FB-2W-Cone-TA16
- Lumens:** 150
- Color Temp:** 2700 k
- Mounting:** 1/2" NPT. Dual Fin Spike Incl.
- LED:** Nichia



Wet Listed



### ORDERING INFORMATION

Model#	Finishes	Wattage	Lumens	Color Temp.	Electrical
<b>SPJ-MA-20-PETITE</b>	<b>MBR</b>	<b>2W</b>	<b>150</b>	<b>2700K</b>	<b>8-15V</b>

- V = Verde
- M = Moss
- AG = Aged Brass
- MBR = Matte Bronze
- RC = Raw Copper
- GM = Gun Metal
- B = Black
- R = Rusty
- PVDP = PVD Polished
- PVDS = PVD Satin
- 2W
- 150
- 160
- 170
- 2700K
- 4000K
- 5000K
- 8-15V