



Forever Bright

SPECIFICATION FEATURES



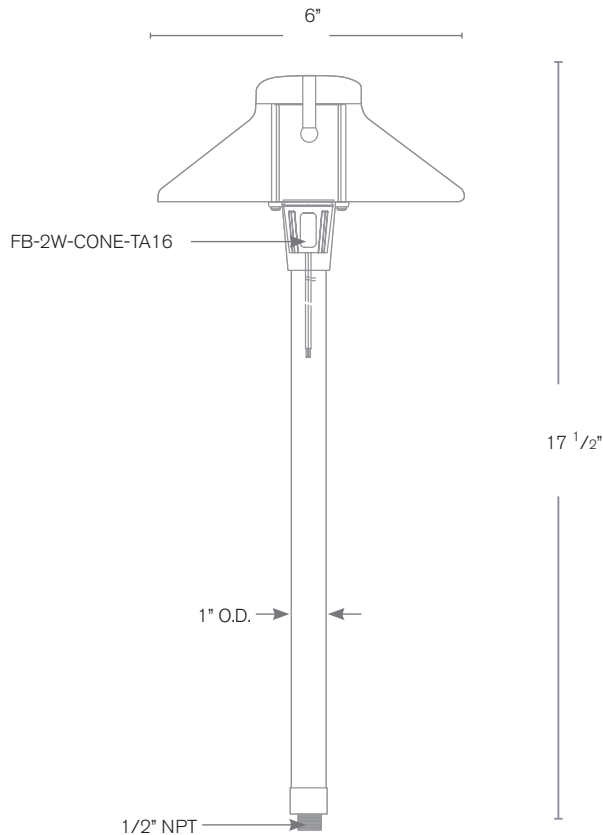
Model: **SPJ -JTS100**

- Finish:** Our naturally etched finishes will withstand the test of time. All finishes are individually treated insuring consistency. Our meticulous application results in a fixture that truly becomes "a one of a kind".
- Electrical:** Available in 8-15V
- Labels:** ETL Standard Wet Label
C-ETL

Path / Area Light

DESCRIPTION

- Model#:** SPJ -JTS100
- Material:** Solid Brass
- Finish:** Verde
- Electrical:** 8-15V
- Engine:** FB-2W-Cone-TA16
- Lumens:** 150
- Color Temp:** 2700 k
- Optic:** Spot, Flood, Wide Flood,
Wide Angle Flood
- Mounting:** 1/2" NPT.



Wet Listed



ORDERING INFORMATION

Model#	Finishes	Wattage	Optics	Lumens	Color Temp.	Electrical
SPJ-JTS100	V	2W	TBD	150	2700K	8-15V

- | | | | | | | |
|--------------------|---------------------|----|------------------|-----|-------|-------|
| V = Verde | GM = Gun Metal | 2W | Spot | 150 | 2700K | 8-15V |
| M = Moss | B = Black | | Flood | 160 | 4000K | |
| AG = Aged Brass | R = Rusty | | Wide Flood | 170 | 5000K | |
| MBR = Matte Bronze | PVDP = PVD Polished | | Wide Angle Flood | | | |
| RC = Raw Copper | PVDS = PVD Satin | | | | | |