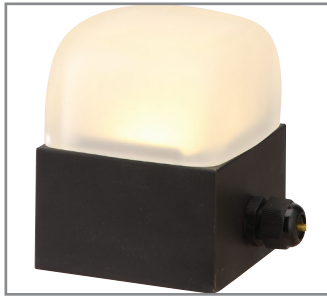




Forever Bright

SPECIFICATION FEATURES



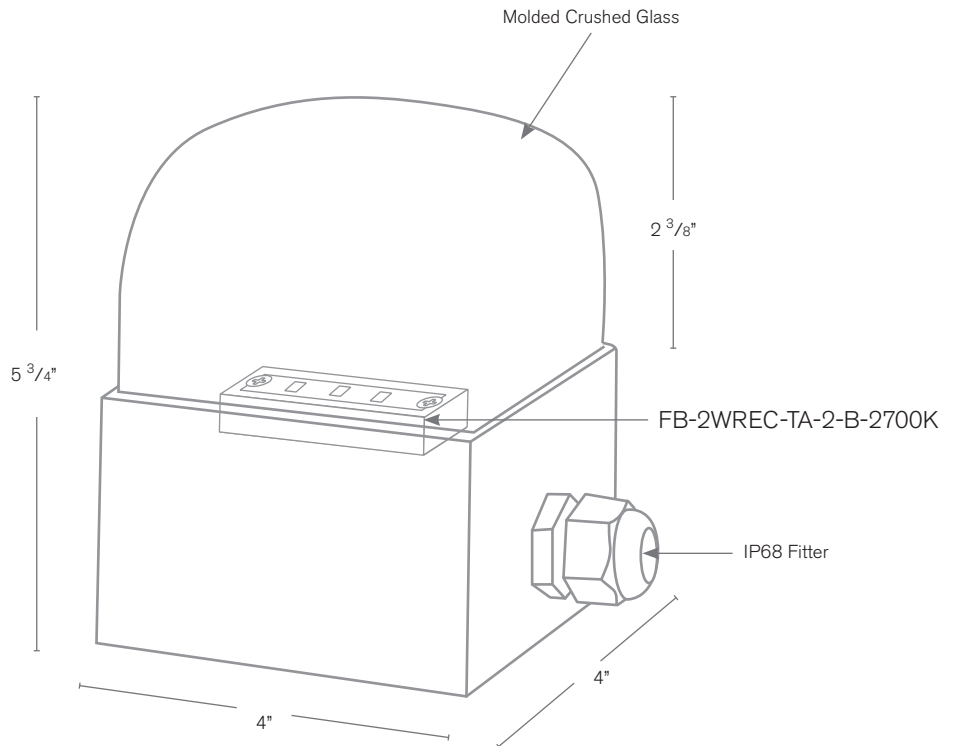
Model: **SPJ-JSPL-4**

- Finish:** Our naturally etched finishes will withstand the test of time. All finishes are individually treated insuring consistency. Our meticulous application results in a fixture that truly becomes "a one of a kind".
- Electrical:** Available in 12V or 120V
- Labels:** ETL Standard Wet Label
C-ETL

Paver Light Drive Over Rated

DESCRIPTION

- Model#:** SPJ-JSPL-4
- Electrical:** 12V or 120V
- Engine:** FB-2WREC-TA-2-B-2700K
- Lumens:** 125
- Color Temp:** 2700K
- Mounting:** In-Ground



Wet Listed

Below Grade Housing & Junction Box



ORDERING INFORMATION

Model#	Finishes	Wattage	Lumens	Color Temp.	Electrical
SPJ-JSPL-4	B	2W	125	2700K	12V

- V = Verde
- M = Moss
- AG = Aged Brass
- MBR = Matte Bronze
- SB = Satin Brass
- GM = Gun Metal
- B = Black
- R = Rusty
- PVDP = PVD Polished
- PVDS = PVD Satin
- 2W
- 125
- 2700K Blue
- 4000K Green
- 6500K Red
- Amber
- 12V
- 120V