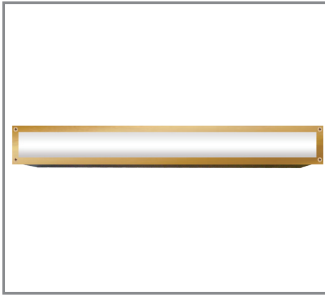




# Forever Bright

## SPECIFICATION FEATURES



Model: **SPJ-JS4**  
Finish: Satin Brass

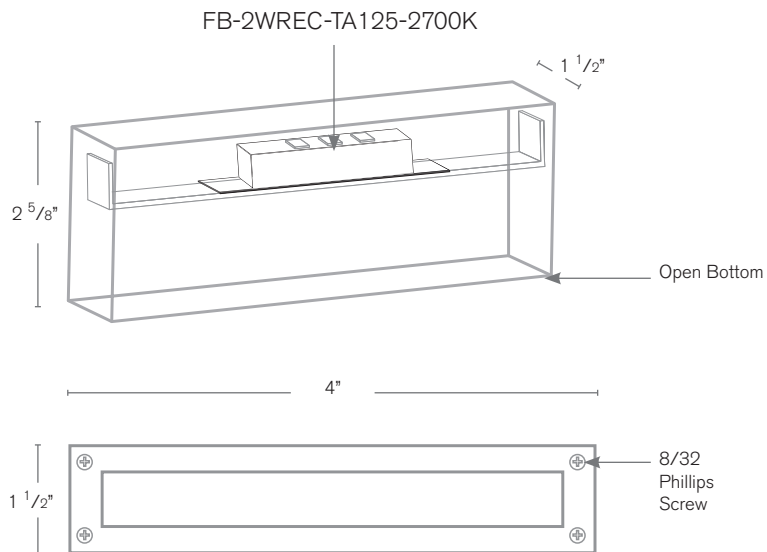
- Finish:** Our naturally etched finishes will withstand the test of time. All finishes are individually treated insuring consistency. Our meticulous application results in a fixture that truly becomes "a one of a kind".
- Electrical:** Available in 9-15V
- Labels:** ETL Standard Wet Label  
C-ETL

**Custom Lengths Available!**

### Below Grade Wall Washer

#### DESCRIPTION

- Model#:** SPJ-JS4
- Material:** Solid Brass
- Electrical:** 9-15V
- Engine:** FB-2WREC-TA125-2700K
- Lumens:** 125
- Color Temp:** 2700K
- Optic:** Wide Angle Flood
- Mounting:** Recessed / In-Ground
- LED:** Nichia



Wet Listed



#### ORDERING INFORMATION

Model#	Finishes	Wattage	Optic	Lumens	Color Temp.	Electrical
<b>SPJ-JS4</b>	<b>SB</b>	<b>2W</b>	<b>WIDE ANGLE FLOOD</b>	<b>125</b>	<b>2700K</b>	<b>9-15V</b>

- |                    |                     |    |                  |     |       |       |
|--------------------|---------------------|----|------------------|-----|-------|-------|
| V = Verde          | GM = Gun Metal      | 2W | Wide Angle Flood | 125 | 2700K | 9-15V |
| M = Moss           | B = Black           |    |                  |     | 4000K |       |
| AG = Aged Brass    | R = Rusty           |    |                  |     | 6500K |       |
| MBR = Matte Bronze | PVDP = PVD Polished |    |                  |     |       |       |
| SB = Satin Brass   | PVDS = PVD Satin    |    |                  |     |       |       |

[WWW.SPJLIGHTING.COM](http://WWW.SPJLIGHTING.COM)