



Forever Bright

SPECIFICATION FEATURES

Finish: Our naturally etched finishes will withstand the test of time. All finishes are individually treated insuring consistency. Our meticulous application results in a fixture that truly becomes "a one of a kind".

Electrical: Available in 8-15V

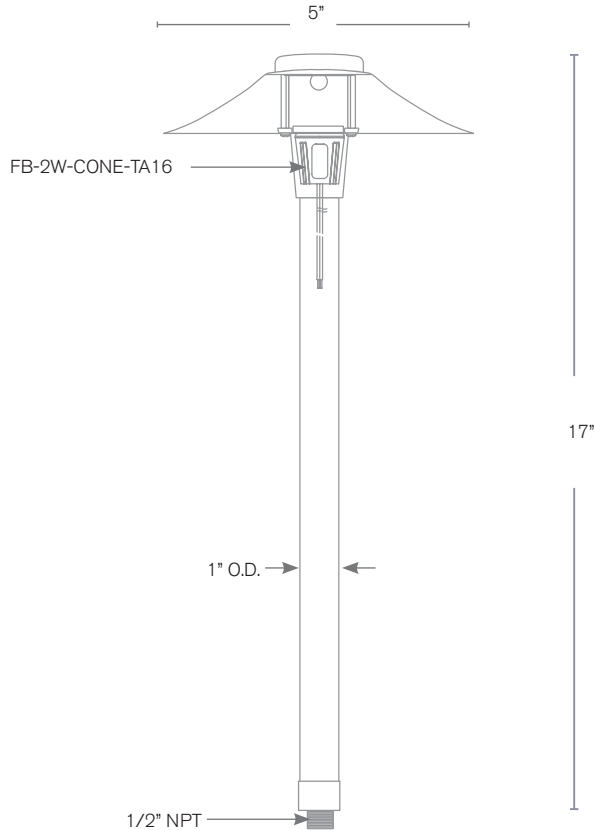
Labels: ETL Standard Wet Label
C-ETL

Model: **SPJ-JB100**
Finish: PVD Satin

Path / Area Light

DESCRIPTION

- Model#:** SPJ-JB100
- Material:** Solid Brass
- Electrical:** 8-15V
- Engine:** FB-2W-Cone-TA16
- Lumens:** 150
- Color Temp:** 2700K
- Mounting:** 1/2" NPT.
- LED:** Nichia



Wet Listed



ORDERING INFORMATION

Model#	Finishes	Wattage	Lumens	Color Temp.	Electrical
SPJ-JB100	PVDS	2W	150	2700K	8-15V

- | | | | | | |
|--------------------|---------------------|----|-----|-------|-------|
| V = Verde | GM = Gun Metal | 2W | 150 | 2700K | 8-15V |
| M = Moss | B = Black | | 160 | 4000K | |
| AG = Aged Brass | R = Rusty | | 170 | 5000K | |
| MBR = Matte Bronze | PVDP = PVD Polished | | | | |
| RC = Raw Copper | PVDS = PVD Satin | | | | |

WWW.SPJLIGHTING.COM