



# Forever Bright

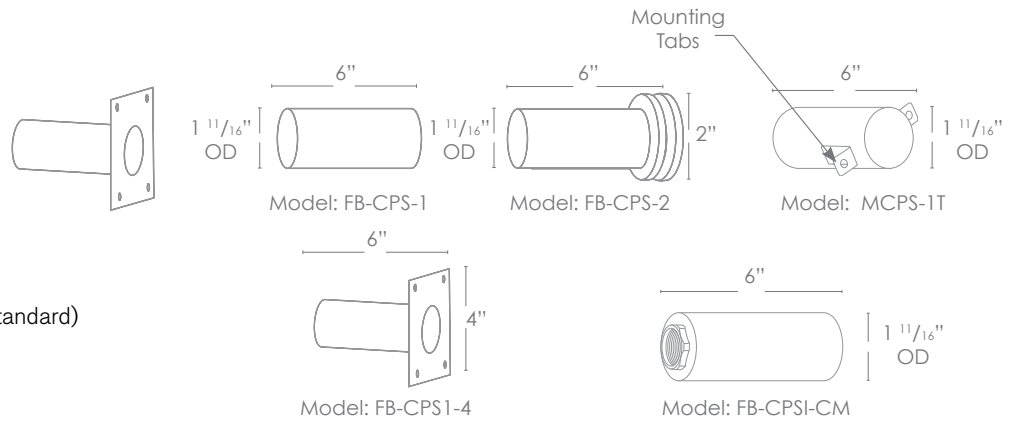
## SPECIFICATION FEATURES

- Finish:** Our naturally etched finishes will withstand the test of time. All finishes are individually treated insuring consistency. Our meticulous application results in a fixture that truly becomes "a one of a kind".
- Electrical:** Available in 8-15V or 120V
- Labels:** ETL Standard Wet Label  
C-ETL



Model: **SPJ-GDG-3L**  
Finish: Black

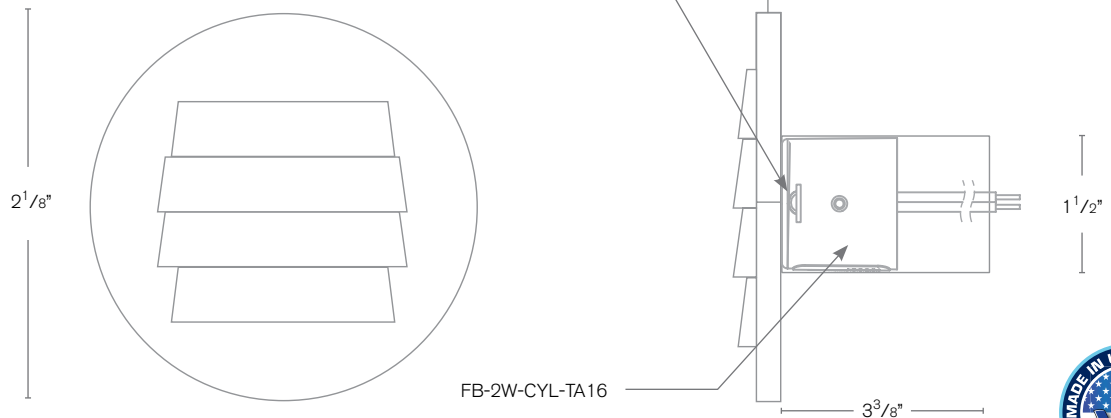
### Mounting Sleeves



## The Versatile GDG Series

### DESCRIPTION

- Model#:** SPJ-GDG-3L
- Engine:** FB-2W-CYL-TA16 (standard)
- Lumens:** 150
- Optic:** Wide Angle Flood
- Color Temp:** 2700K
- Electrical:** 8-15V, 120V
- Mounting:** Recessed
- LED:** Nichia



Wet Listed



### ORDERING INFORMATION

Model#	Finishes	Wattage	Optics	Lumens	Color Temp.	Electrical
<b>SPJ-GDG-3L</b>	<b>B</b>	<b>2W</b>	<b>WIDE ANGLE FLOOD</b>	<b>150</b>	<b>2700K</b>	<b>8-15V</b>

- |                    |                     |    |                  |     |       |       |
|--------------------|---------------------|----|------------------|-----|-------|-------|
| V = Verde          | GM = Gun Metal      | 2W | Wide Angle Flood | 150 | 2700K | 8-15V |
| M = Moss           | B = Black           |    |                  |     | 4000K | 120V  |
| AG = Aged Brass    | R = Rusty           |    |                  |     | 5000K |       |
| MBR = Matte Bronze | PVDP = PVD Polished |    |                  |     |       |       |
| SB = Satin Brass   | PVDS = PVD Satin    |    |                  |     |       |       |