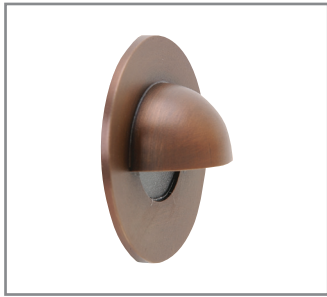




Forever Bright

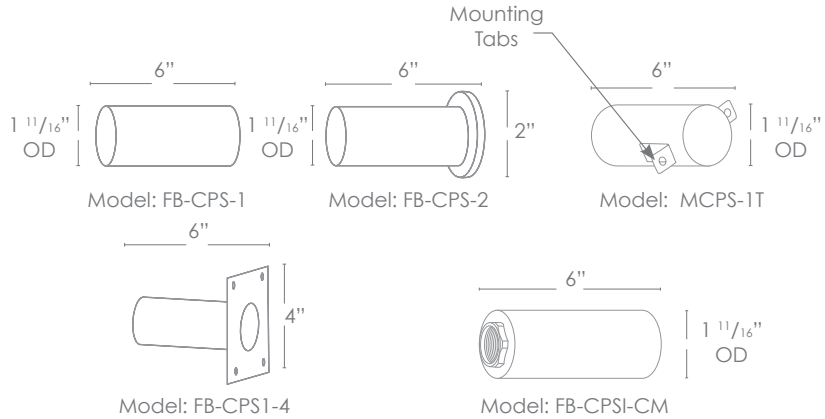
SPECIFICATION FEATURES

- Finish:** Our naturally etched finishes will withstand the test of time. All finishes are individually treated insuring consistency. Our meticulous application results in a fixture that truly becomes "a one of a kind".
- Electrical:** Available in 8-15V or 120V
- Labels:** ETL Standard Wet Label
C-ETL



Model: **SPJ-GDG-3EB**

Concrete Pour Sleeves

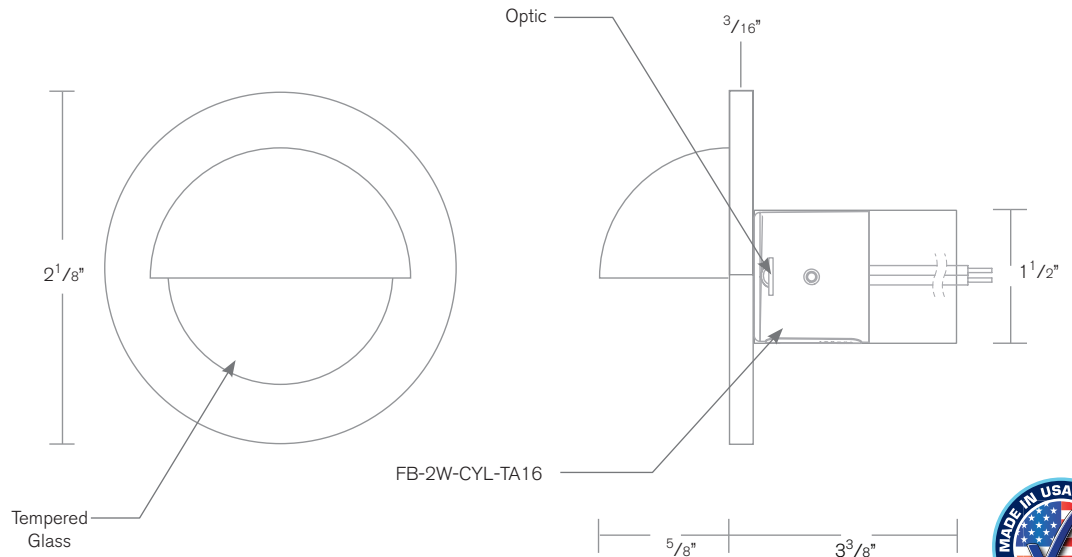


The Versatile GDG Series

DESCRIPTION

- Model#:** SPJ-GDG-3EB
- Shown:** Matte Bronze
- Engine:** FB-2W-CYL-TA16 (standard)
- Lumens:** 150
- Color Temp:** 2700 k
- Electrical:** 8-15V, 120V

Unlimited LED Lumen Packages & Color Temperatures Available!



Wet Listed



ORDERING INFORMATION

Model#	Finishes	Wattage	Lumens	Color Temp.	Electrical
SPJ-GDG-3EB	MBR	2W	150	2700K	8-15V

V = Verde	GM = Gun Metal	1W	80	2700K	8-15V
M = Moss	B = Black	2W	150	4000K	120V
AG = Aged Brass	R = Rusty	3W	200	5000K	
MBR = Matte Bronze	PVDP = PVD Polished				
SB = Satin Brass	PVDS = PVD Satin				