



Forever Bright

SPECIFICATION FEATURES

Finish: Our naturally etched finishes will withstand the test of time. All finishes are individually treated insuring consistency. Our meticulous application results in a fixture that truly becomes "a one of a kind".

Electrical: Available in 8-15V

Labels: ETL Standard Wet Label
C-ETL

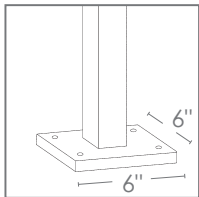


Model: **SPJ-GDG-24-L**

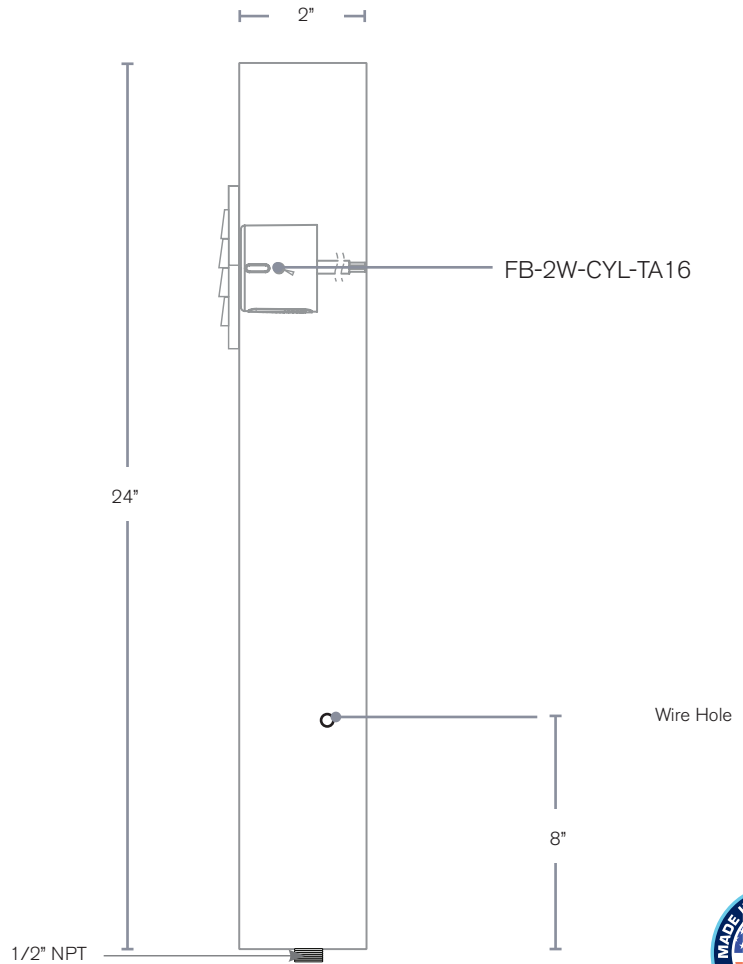
Contemporary Path Light

DESCRIPTION

- Model#:** SPJ-GDG-24-L
- Material:** Solid Brass
- Finish:** Verde
- Electrical:** 8-15V
- Engine:** FB-3W-CYL-TA16
- Lumens:** 200
- Color Temp:** 2700K
- Mounting:** 1/2" NPT



Model: DM6
Deck Mount or
1/2"NPT Option



Wet Listed



ORDERING INFORMATION

Model#	Finishes	Wattage	Lumens	Color Temp.	Electrical
SPJ-GDG-24-L	V	3W	200	2700K	8-15V

V = Verde	GM = Gun Metal	3W	200	2700K	8-15V
M = Moss	B = Black		210	4000K	
AG = Aged Brass	R = Rusty		220	5000K	
MBR = Matte Bronze	PVDP = PVD Polished				
RC = Raw Copper	PVDS = PVD Satin				