



Forever Bright

SPECIFICATION FEATURES



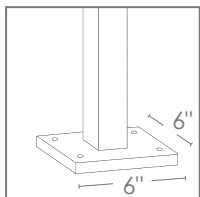
Model: **SPJ-GDG-24-EB**

- Finish:** Our naturally etched finishes will withstand the test of time. All finishes are individually treated insuring consistency. Our meticulous application results in a fixture that truly becomes "a one of a kind".
- Electrical:** Available in 8-15V
- Labels:** ETL Standard Wet Label
C-ETL

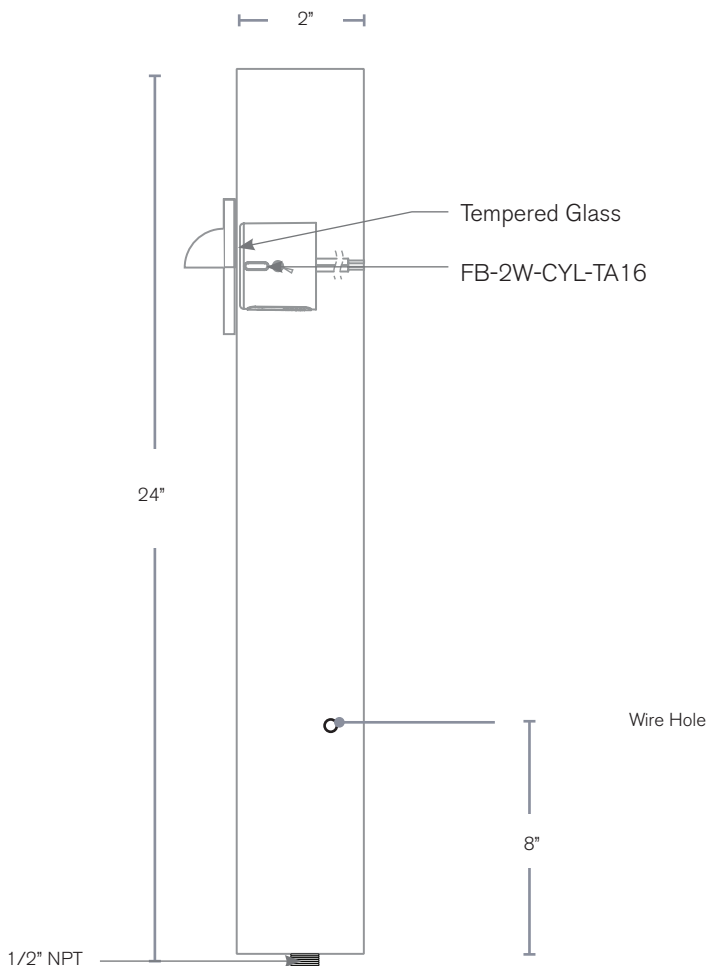
Contemporary Path Light

DESCRIPTION

- Model#:** SPJ-GDG-24-EB
- Material:** Solid Brass
- Finish:** Black
- Electrical:** 8-15V
- Engine:** FB-2W-CYL-TA16
- Lumens:** 135
- Color Temp:** 2700K
- Mounting:** 1/2" NPT



Model: DM6
Deck Mount or
1/2"NPT Option



Wet Listed



ORDERING INFORMATION

Model#	Finishes	Wattage	Lumens	Color Temp.	Electrical
SPJ-GDG-24-EB	B	2W	135	2700K	8-15V

V = Verde	GM = Gun Metal	2W	135	2700K	8-15V
M = Moss	B = Black		145	4000K	
AG = Aged Brass	R = Rusty		170	5000K	
MBR = Matte Bronze	PVDP = PVD Polished				
RC = Raw Copper	PVDS = PVD Satin				