



Forever Bright

SPECIFICATION FEATURES



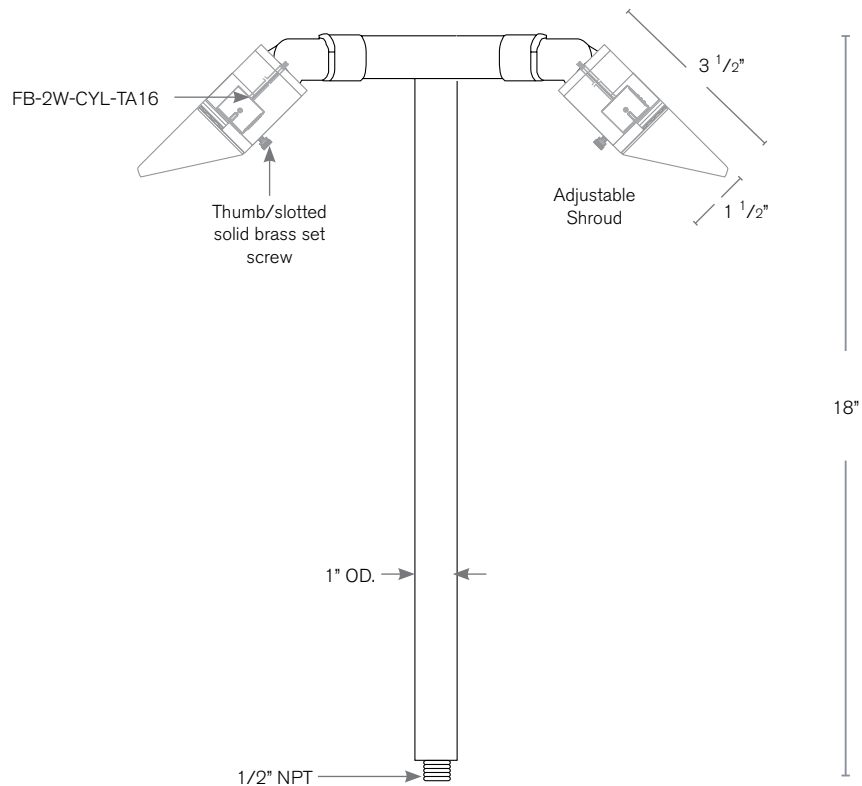
Model: **SPJ-DSP-100**
Finish: Matte Bronze

- Finish:** Our naturally etched finishes will withstand the test of time. All finishes are individually treated insuring consistency. Our meticulous application results in a fixture that truly becomes "a one of a kind".
- Electrical:** Available in 8-15V
- Labels:** ETL Standard Wet Label
C-ETL

Contemporary Path Light

DESCRIPTION

- Model#:** SPJ-DSP-100
- Material:** Solid Brass
- Electrical:** 8-15V
- Engine:** (2) FB-2W-CYL-TA16
- Lumens:** 300
- Color Temp:** 2700k
- Optic:** Wide Angle Flood
- Mounting:** 1/2" NPT. Dual Fin Spike Incl.
- LED:** Nichia



Wet Listed



ORDERING INFORMATION

Model#	Finishes	Wattage	Optics	Lumens	Color Temp.	Electrical
SPJ-DSP-100	MBR	4W	WIDE ANGLE FLOOD	300	2700K	8-15V
	V = Verde GM = Gun Metal M = Moss B = Black AG = Aged Brass R = Rusty MBR = Matte Bronze PVDP = PVD Polished RC = Raw Copper PVDS = PVD Satin	4W	Wide Angle Flood	300	2700K 4000K 5000K	8-15V