



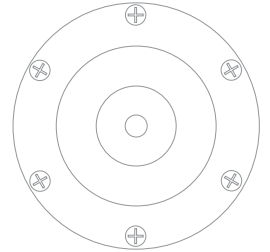
Forever Bright

SPECIFICATION FEATURES



Model: **SPJ-CBWL-16**
Finish: Satin Brass

- Finish:** Our naturally etched finishes will withstand the test of time. All finishes are individually treated insuring consistency. Our meticulous application results in a fixture that truly becomes "a one of a kind".
- Electrical:** Available in 8-15V, 12V-15V or 120V
- Labels:** ETL Standard Wet Label
C-ETL



Top View

Well Light

DESCRIPTION

- Model#:** SPJ-CBWL-16
Material: Solid Brass
Color Temp: 2700K
Optic: Spot, Flood, Wide Flood, Wide Angle Flood

Lamp	Electrical	Lumens
Options: FB-1W-CYL-TA16	8-15v	80
FB-2W-CYL-TA16	8-15v	150
FB-3W-CYL-TA16	8-15v	200
FB-6W-CYL-TA16	12-15v	300
FB-8W-CYL-TA16	12-15v	580

- LED:** Nichia
Adjustable
Beam Angle: 0-40 Degree

Concrete Pour Sleeve

Model: SPJ13-100S

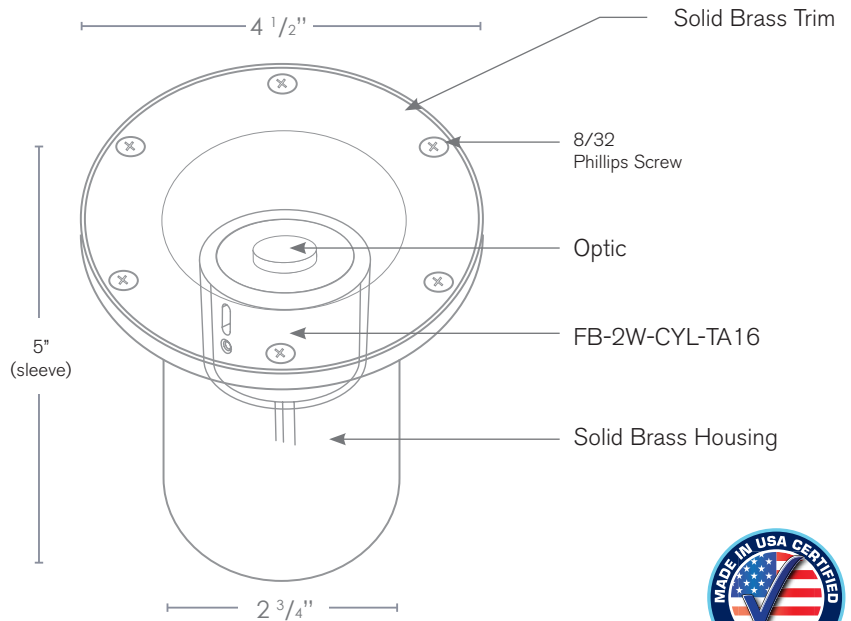
Trim Options:

ST - Square Trim 6" sq.

FG - Flat Glass

CG - Convex Glass

GT - Grill Top



Wet Listed



ORDERING INFORMATION

Model#	Finishes	Wattage	Optics	Lumens	Color Temp.	Electrical
SPJ-CBWL-16	SB	2W	FLOOD	135	2700K	8-15V
V = Verde	GM = Gun Metal	1W	Spot	80	2700K	8-15V
M = Moss	B = Black	2W	Flood	150	4000K	12V-15V
AG = Aged Brass	R = Rusty	3W	Wide Flood	200	5000K	120V
MBR = Matte Bronze	PVDP = PVD Polished	6W	Wide Angle Flood	300		
SB = Satin Brass	PVDS = PVD Satin	8W		580		