



Model: **SPJ-2DL**

SPJ-2DL

SPECIFICATION FEATURES

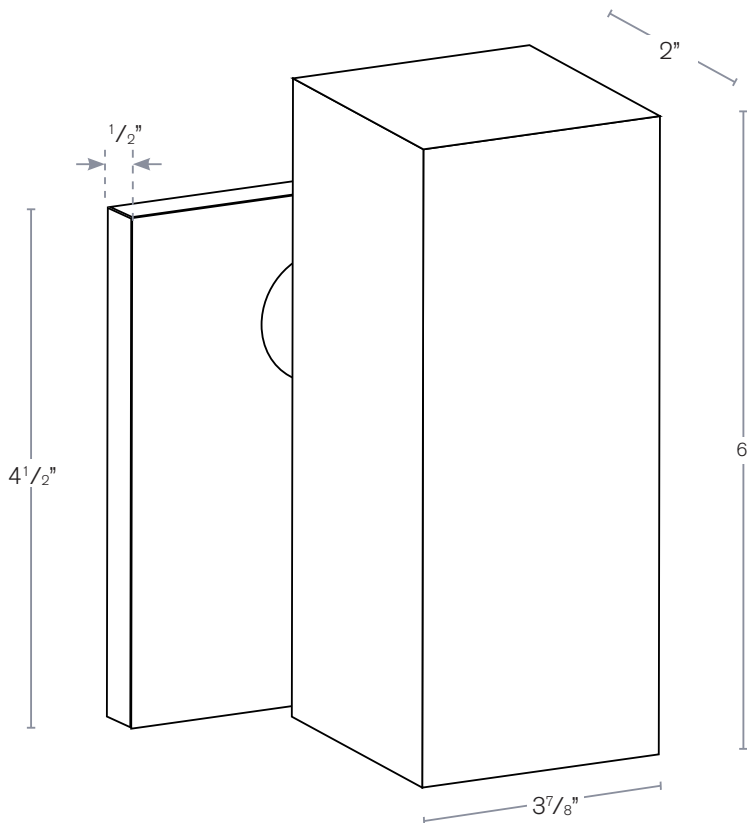
- Finish:** Our naturally etched finishes will withstand the test of time. All finishes are individually treated insuring consistency. Our meticulous application results in a fixture that truly becomes "a one of a kind".
- Electrical:** Available in 12V or 120V
- Labels:** ETL Standard Wet Label
C-ETL

High Lumen Packages Available

Down Light or Up / Down Light

DESCRIPTION

- Model#:** SPJ-2DL
Material: Solid Brass
Finish: Black
Electrical: 12V or 120V
Engine: 3W
Lumens: 200
Color Temp: 2700K
Mounting: Wall



Wet Listed

| SPJ Approval | Customer Approval |
|--------------|-------------------|
| | |

ORDERING INFORMATION

| Model# | Finishes | Wattage | Lumens | Color Temp. | Electrical |
|---------|----------|---------|--------|-------------|------------|
| SPJ-2DL | B | 3 | 200 | 2700K | 12V |

- V = Verde GM = Gun Metal
M = Moss B = Black
AG = Aged Brass R = Rusty
MBR = Matte Bronze PVDP = PVD Polished
SB = Satin Brass PVDS = PVD Satin

- 2700K
4000K
6500K
- 12V
120V