



Forever Bright

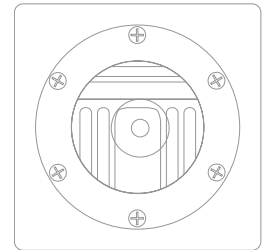
SPECIFICATION FEATURES



Model: **SPJ-CBWL-16-ST-CG-GT**
 Finish: Matte Bronze
 with grill & square trim

- Finish:** Our naturally etched finishes will withstand the test of time. All finishes are individually treated insuring consistency. Our meticulous application results in a fixture that truly becomes "a one of a kind".
- Electrical:** Available in 8-15V, 12V-15V
- Labels:** ETL Standard Wet Label
C-ETL

Square Trim



Top View

Well Light



SPJ-CBWL-16-ST-CG-GT

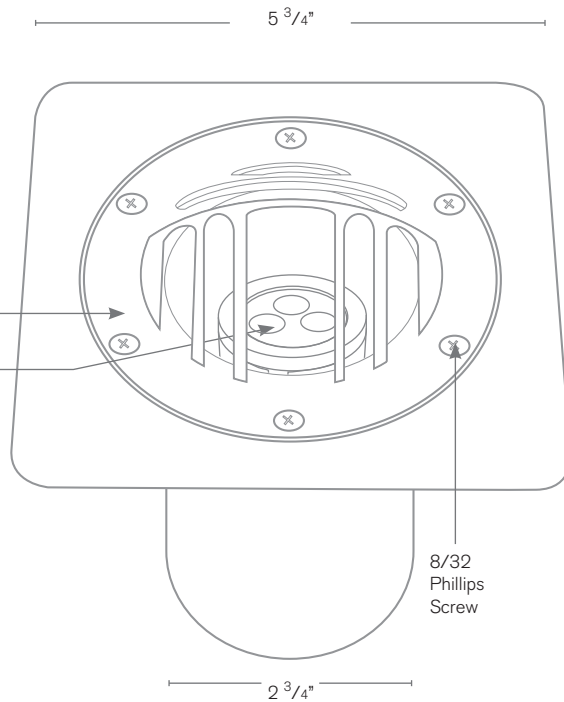
DESCRIPTION

Model#: SPJ-CBWL-16-ST-CG-GT
Material: Solid Brass
Color Temp: 2700K
Optic: Spot, Flood, Wide Flood, Wide Angle Flood

Options:	Lamp	Electrical	Lumens
FB-1W-CYL-TA16		8-15v	80
FB-2W-CYL-TA16		8-15v	150
FB-3W-CYL-TA16		8-15v	200
FB-6W-CYL-TA16		12-15v	300
FB-8W-CYL-TA16		12-15v	580

Mounting: In-Ground (concrete pour housing)
LED: Nichia
Adjustable:
Beam Angle: 0-40 Degree

Optional:
 Cast Brass Grate
 FB-2W-CYL-TA16



Wet Listed



ORDERING INFORMATION

Model#	Finishes	Wattage	Optics	Lumens	Color Temp.	Electrical
SPJ-CBWL-16-ST-CG-GT	MBR	2W	FLOOD	150	2700K	8-15V

V = Verde	GM = Gun Metal	1W	Spot	80	2700K	8-15V
M = Moss	B = Black	2W	Flood	150	4000K	12V-15V
AG = Aged Brass	R = Rusty	3W	Wide Flood	200	5000K	
MBR = Matte Bronze	PVDP = PVD Polished	6W	Wide Angle Flood	300		
SB = Satin Brass	PVDS = PVD Satin	8W		580		