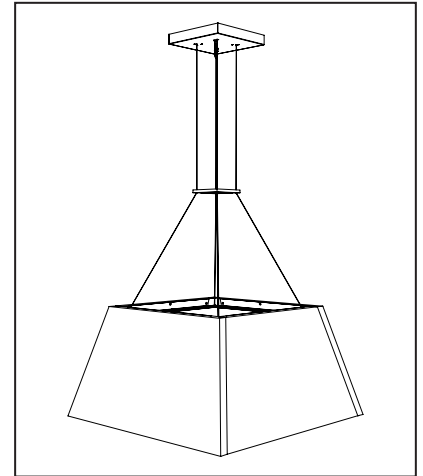


Installation Instructions – Shaper Sense Trapezoid Pendant

Keep plastic on light guide and acoustic panel, until assembly is complete.

Keep foam protective cover from top of Light Guide Panel from packaging to place on top of Light Guide Panel while assembling. Light Guide Panel needs to be protected or may incur scratches.



WARNING



Risk of Fire, Electrical Shock, Cuts or other Casualty Hazards- Installation and maintenance of this product must be performed by a qualified electrician. This product must be installed in accordance with the applicable installation code by a person familiar with the construction and operation of the product and hazards involved.



Risk of Fire and Electric Shock- Make certain power is OFF before starting installation or attempting any maintenance. Disconnect power at fuse or circuit breaker.



Risk of Fire- Minimum 90°C supply conductors.



Risk of Personal Injury- Due to sharp edges, handle with care.

Failure to comply with these instructions may result in death, serious bodily injury and property damage.

DISCLAIMER OF LIABILITY: Cooper Lighting Solutions assumes no liability for damages or losses of any kind that may arise from the improper, careless, or negligent installation, handling or use of this product.

IMPORTANT: Read carefully before installing fixture. Retain for future reference.

NOTICE: Green ground screw provided in proper location. Do not relocate.

NOTICE: Fixture may become damaged and/or unstable if not installed properly.

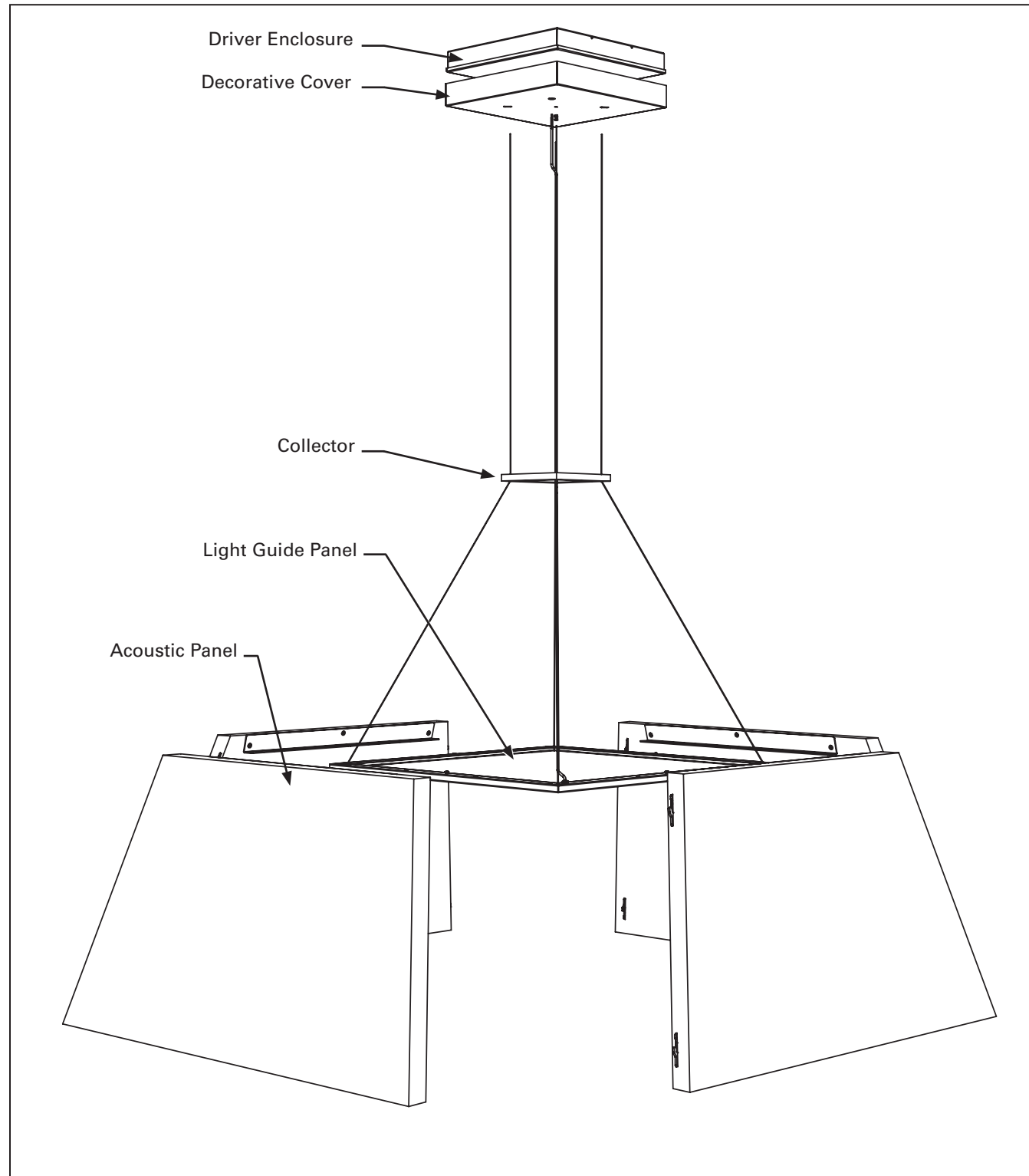
Note: Specifications and dimensions subject to change without notice.

ATTENTION Receiving Department: Note actual fixture description of any shortage or noticeable damage on delivery receipt. File claim for common carrier (LTL) directly with carrier. Claims for concealed damage must be filed within 15 days of delivery. All damaged material, complete with original packing must be retained.

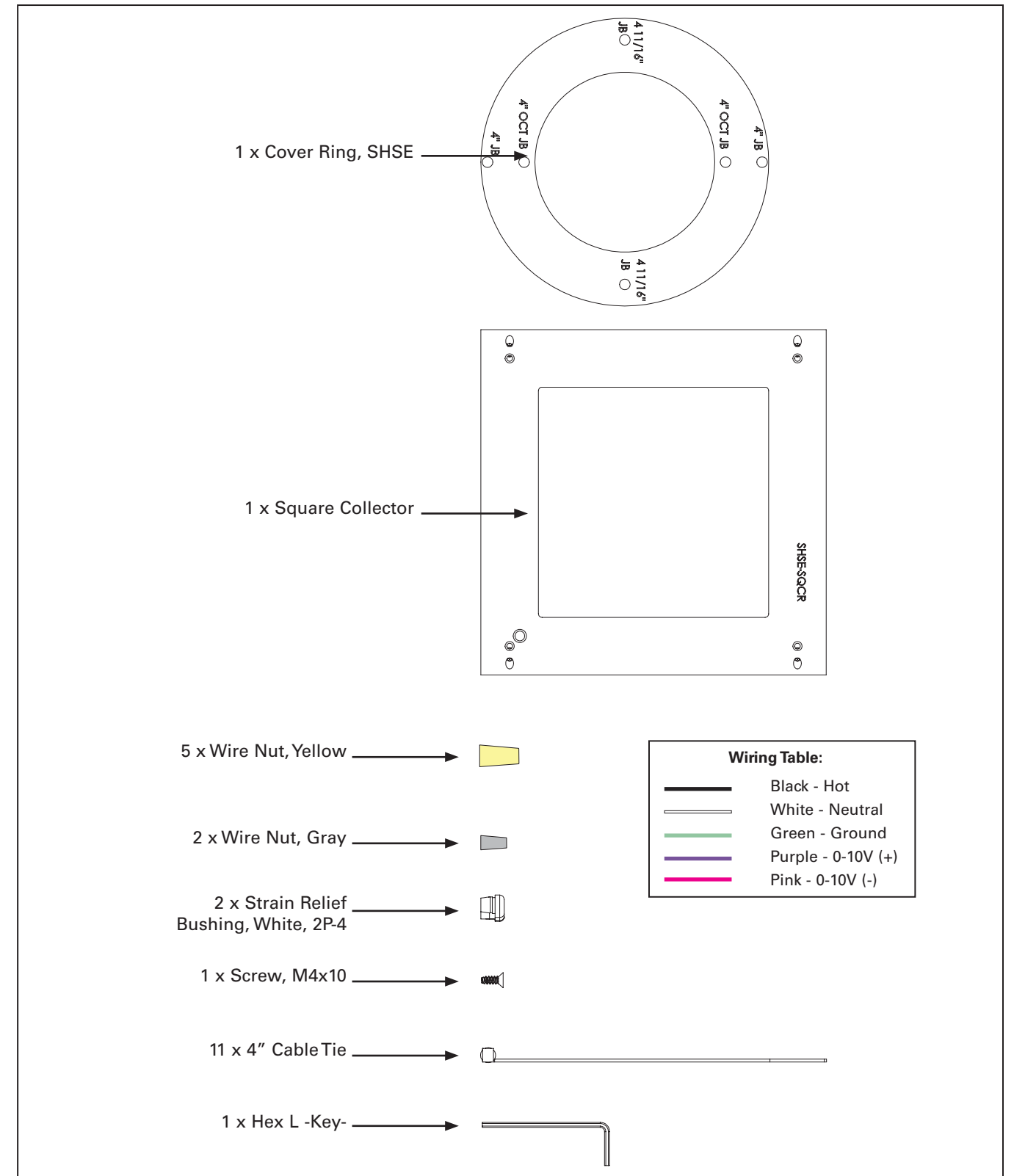
INSTALLATION

SHAPER SENSE TRAPEZOID

EXPLODED VIEW OF COMPONENTS



DRIVER ENCLOSURE COMPONENTS AND DECORATIVE COVER COMPONENTS



INSTALLATION

DRIVER ENCLOSURE ASSEMBLY

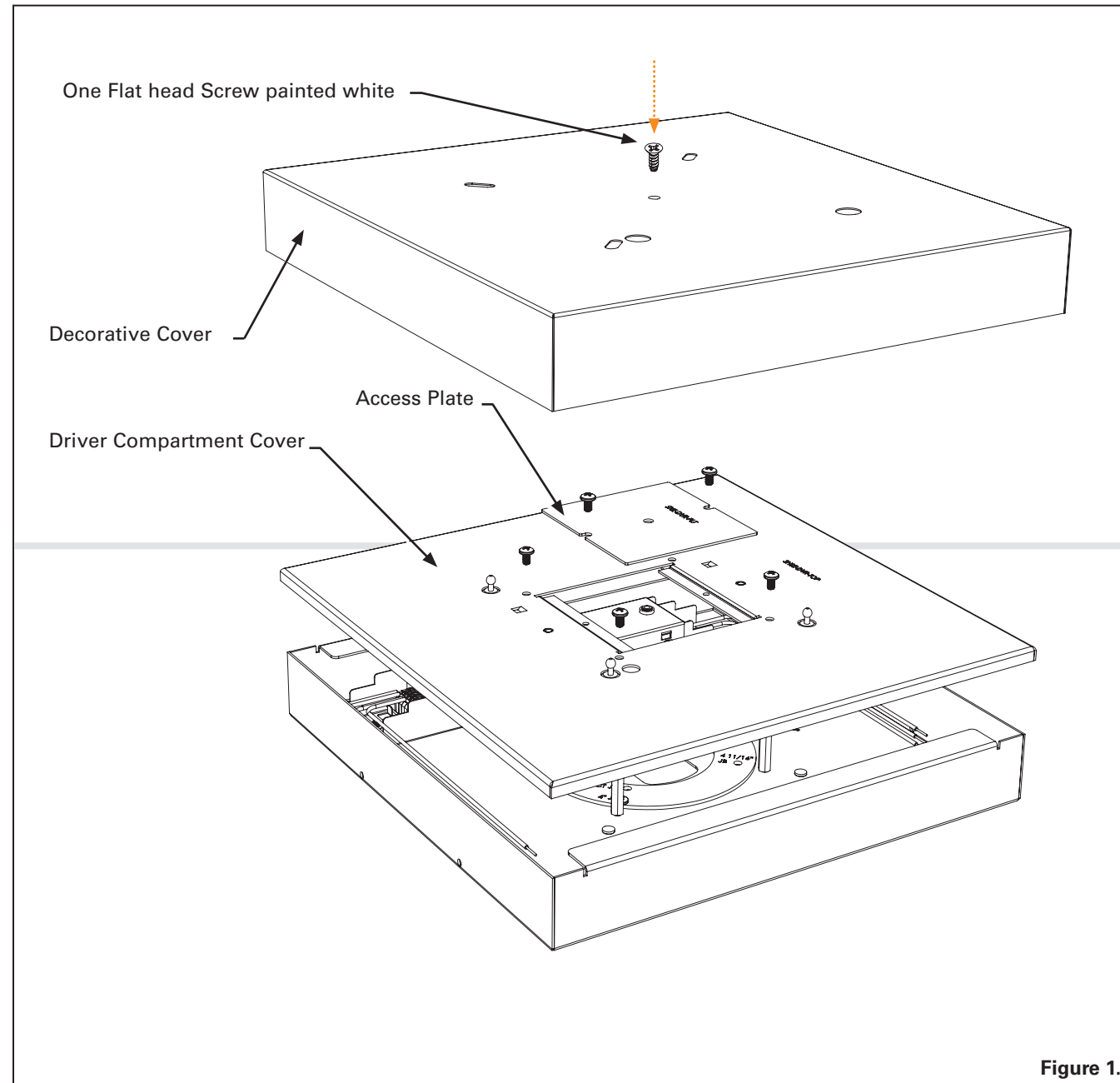


Figure 1.

Step 1. Remove the Decorative Cover, Driver Compartment Cover and the Access Plate. Set qty six #8-32 screws aside for reattachment. Ref. Figure 1.

INSTALLATION

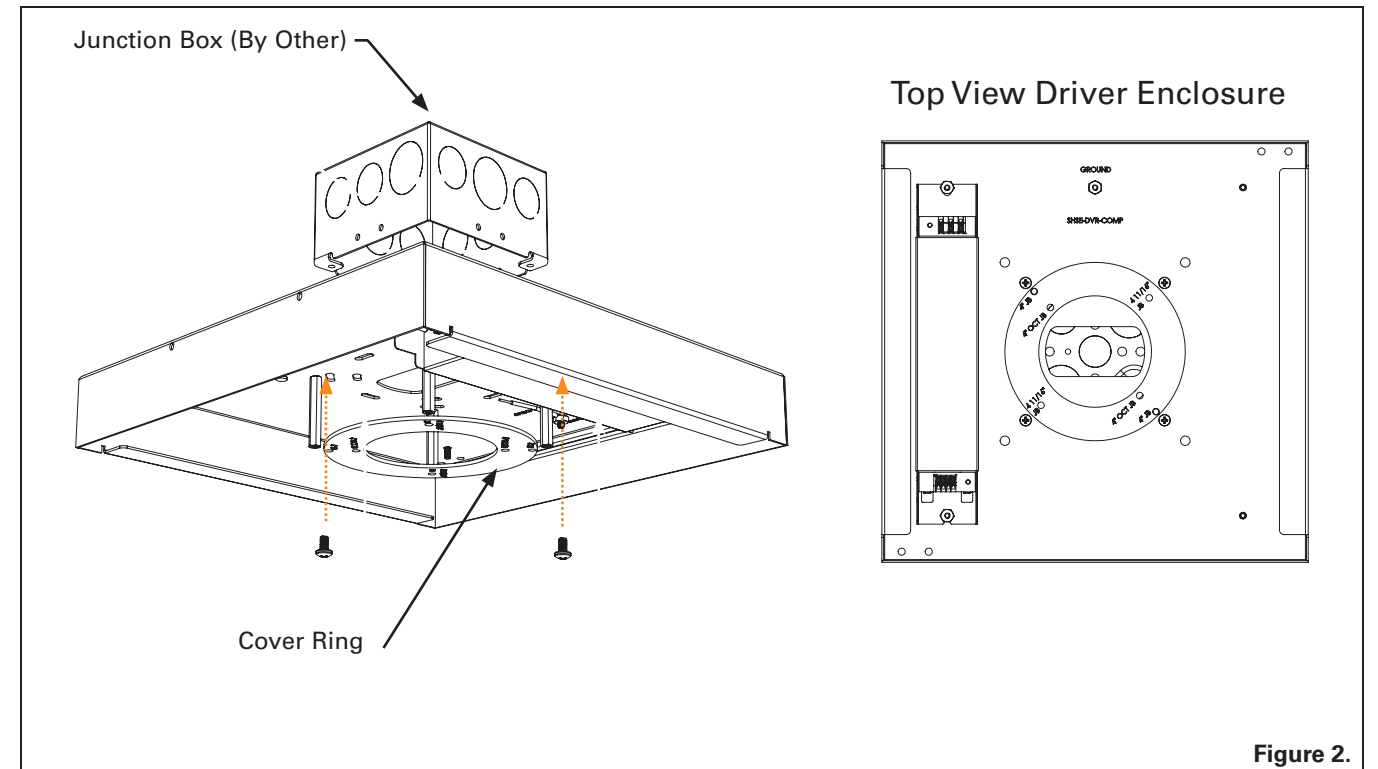


Figure 2.

Step 2. Using the J-Box screws (by others), align the Cover Ring to inside of the Driver Compartment. Screw the parts to the J-Box. The Cover Ring must be used to reinforce the center of the housing. Ref. Figure 2.

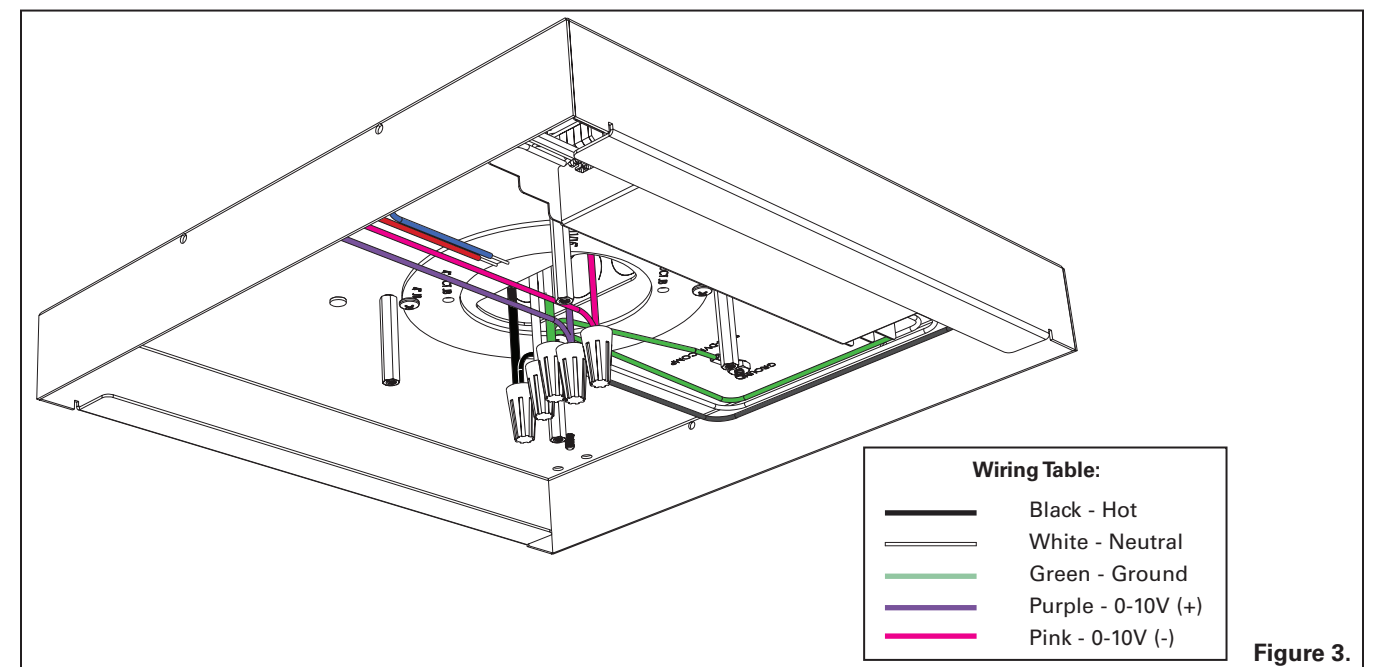


Figure 3.

Step 3. Connect feeder wires from contractor supplied junction box to power wires of fixture using supplied wire nuts. Tuck all wires inside junction except blue and red low voltage wires (used for controls, and reference wiring diagram). Ref. Figure 3.

INSTALLATION

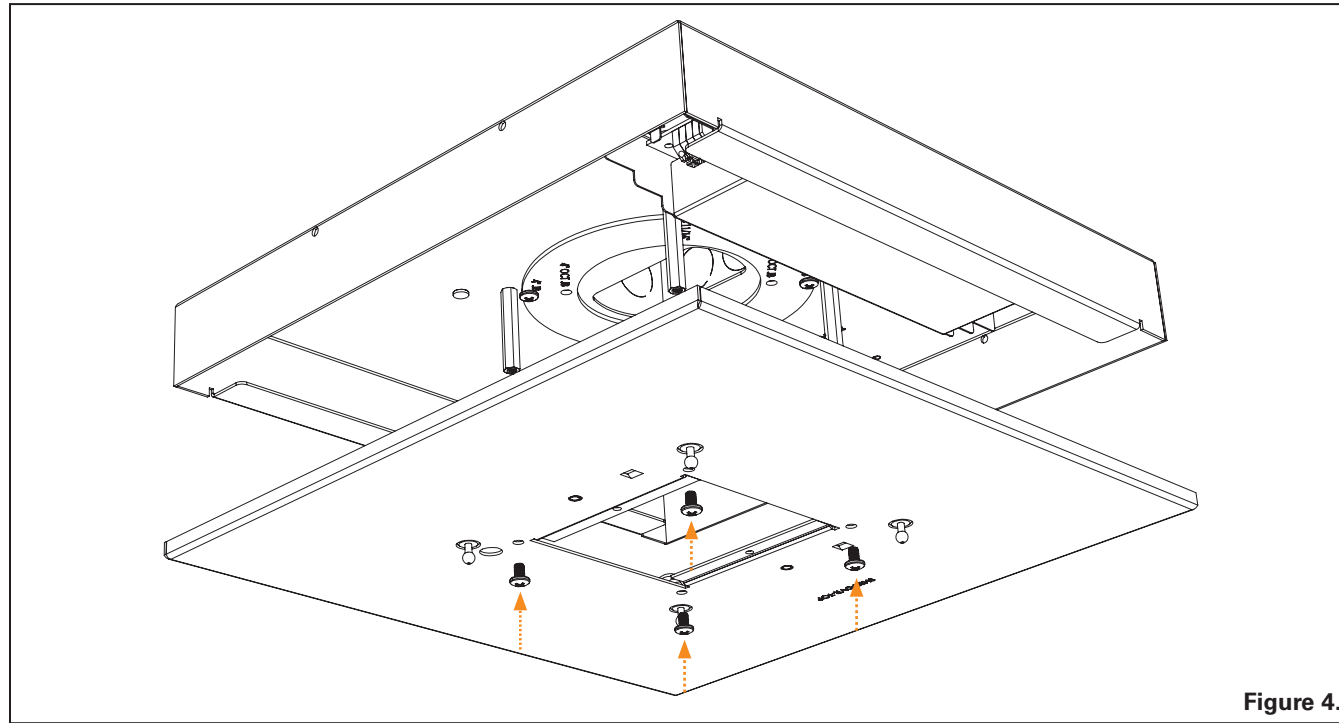


Figure 4.

Step 4. Using four #8-32 screws removed from the Driver Compartment Cover, attach the Cover to Driver Compartment. Ref. Figure 4.

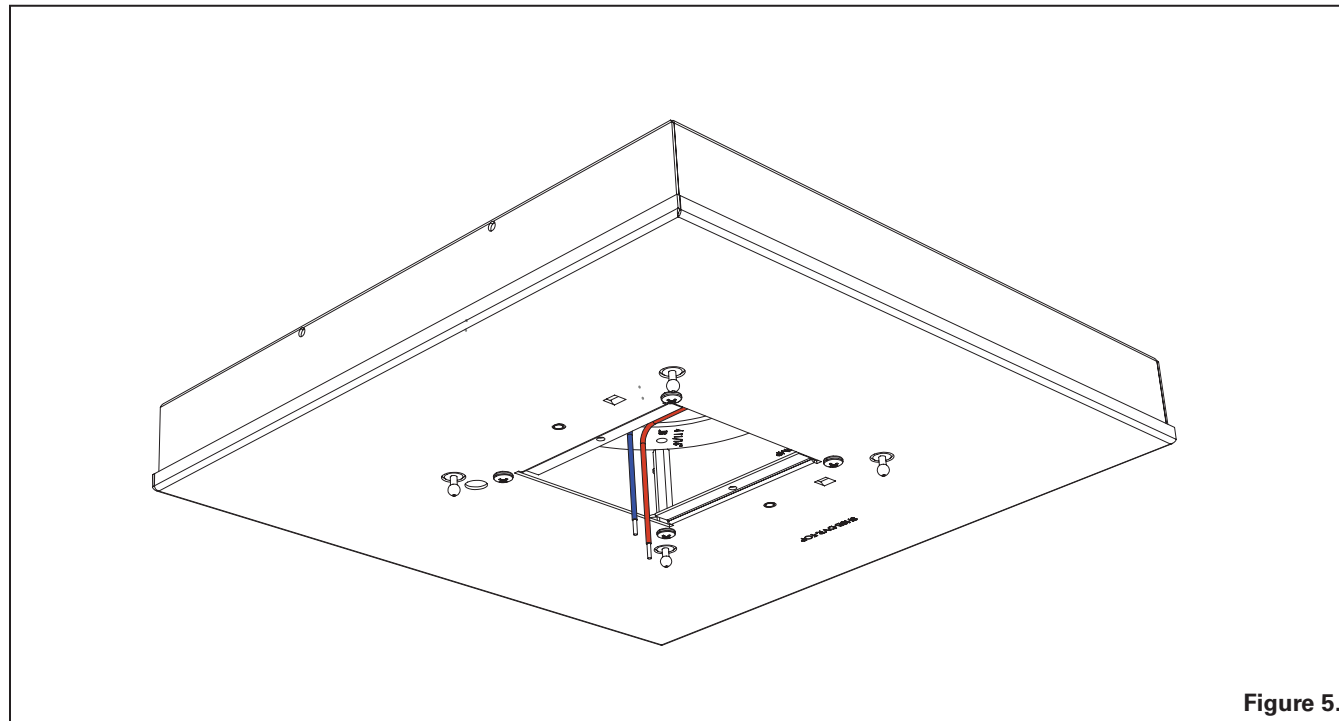


Figure 5.

Step 5. Pull the Red and Blue low voltage supply wires through the access opening. Ref. Figure 5.

INSTALLATION

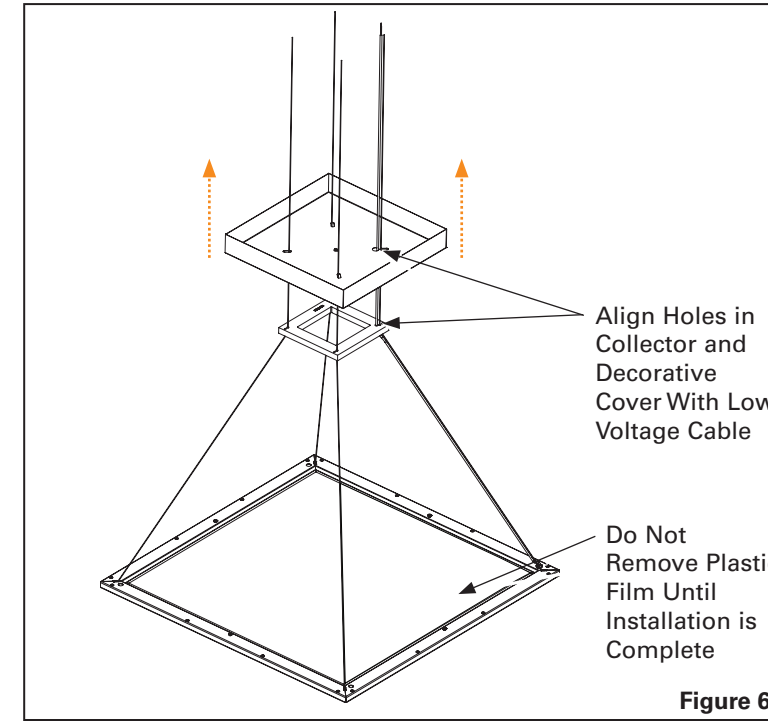


Figure 6.

Step 6a. At the Light Guide Panel, take the four Air Craft Cables and Low Voltage Cable, feed them all the way through the Collector and Decorative Cover. Make sure to orientate the Collector and Decorative Cover so the Low Voltage Cable feeds through the correct features in the parts. The Low Voltage Cable will also need to orientate with the hole in the Driver Compartment Cover in the ceiling. Ref. Figure 6.

Step 6b. Take foam insert from box and rest on top of Light Guide Panel. Then, rest the Collector and Decorative Cover on the Light Guide Assembly. (Do not remove protective film and foam until installation is complete). Ensure engraved text on Collector faces Driver Box. Ref. Figure 6.

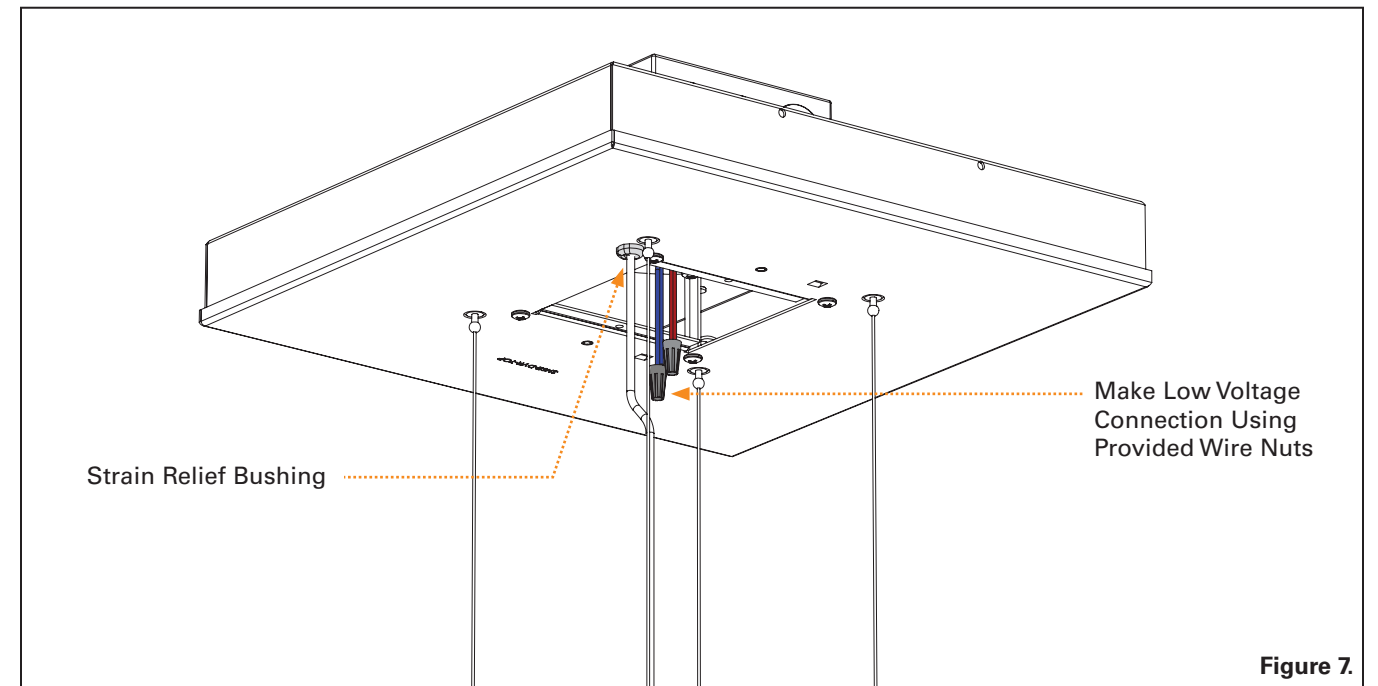


Figure 7.

Step 7. Insert the Air Craft Cables into the spherical shape Cable Grippers in the Cover of the Driver Compartment. Raise Light Guide Panel by continuing to feed the Air Craft Cables through the Grippers, pulling the excess cable out of the Access opening as the light fixture is raised. To lower the cables, gently push up on the neck of the Gripper. Ref. Figure 7.

INSTALLATION

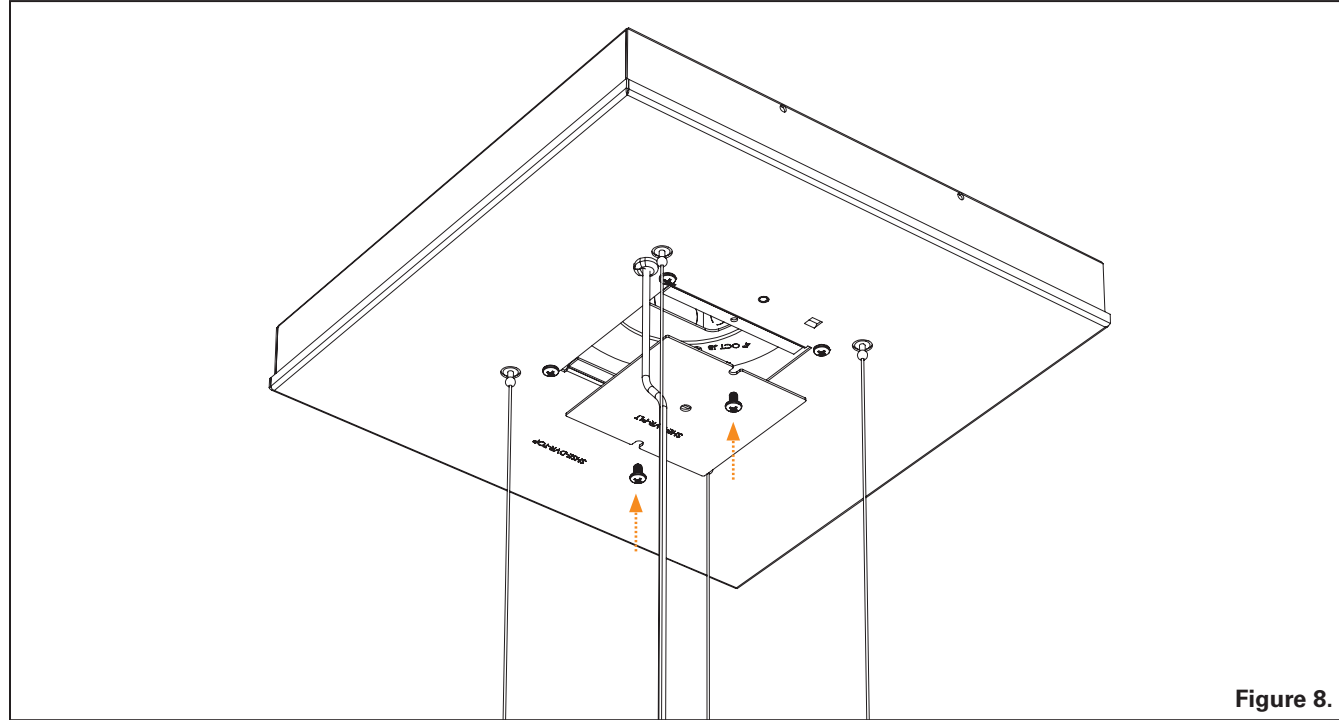


Figure 8.

Step 8. When the final height is determined and leveling is complete, either cut the excess Air Craft Cable or tightly spool it up with a tie wrap. Wrap and tie excess low voltage wire and tuck into the Driver Compartment. Ref. Figure 8.

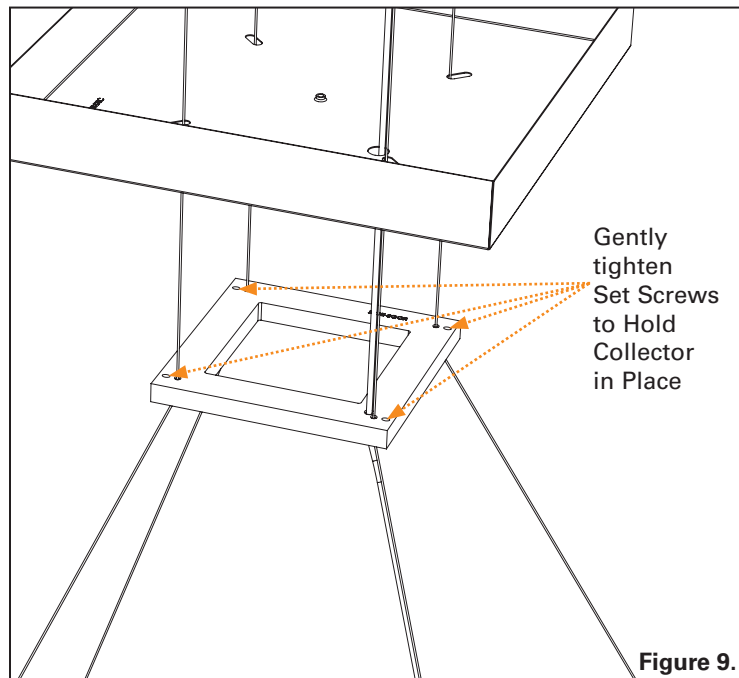


Figure 9.

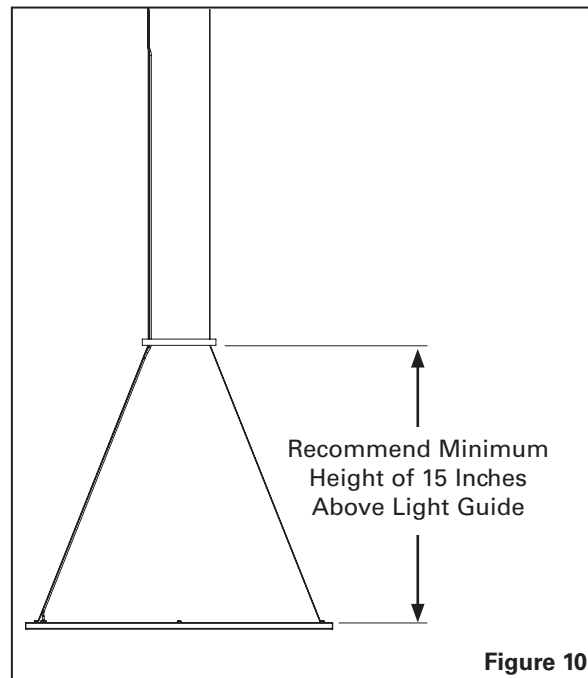


Figure 10.

Steps 9 and 10. Once the Light Guide is at the approximate height raise up the Collector and Decorative Cover. Using the provided Hex L Key, gently tighten the set screws in the Collector secure it in the desired location. The Decorative Cover will rest on top of the Collector until the final leveling of the Light Guide Panel with Air Craft Cables. Ref. Figures 9 and 10.

INSTALLATION

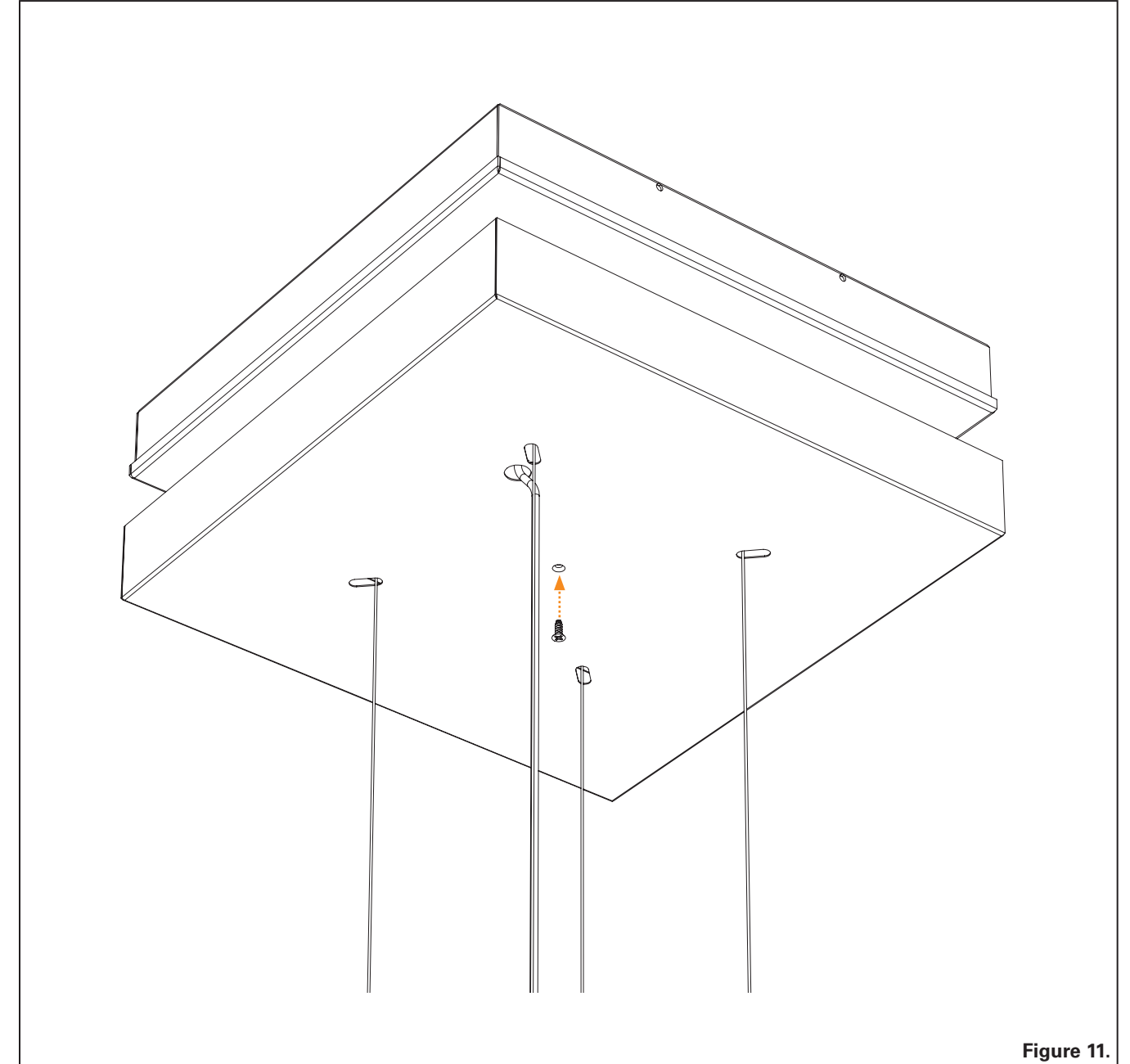


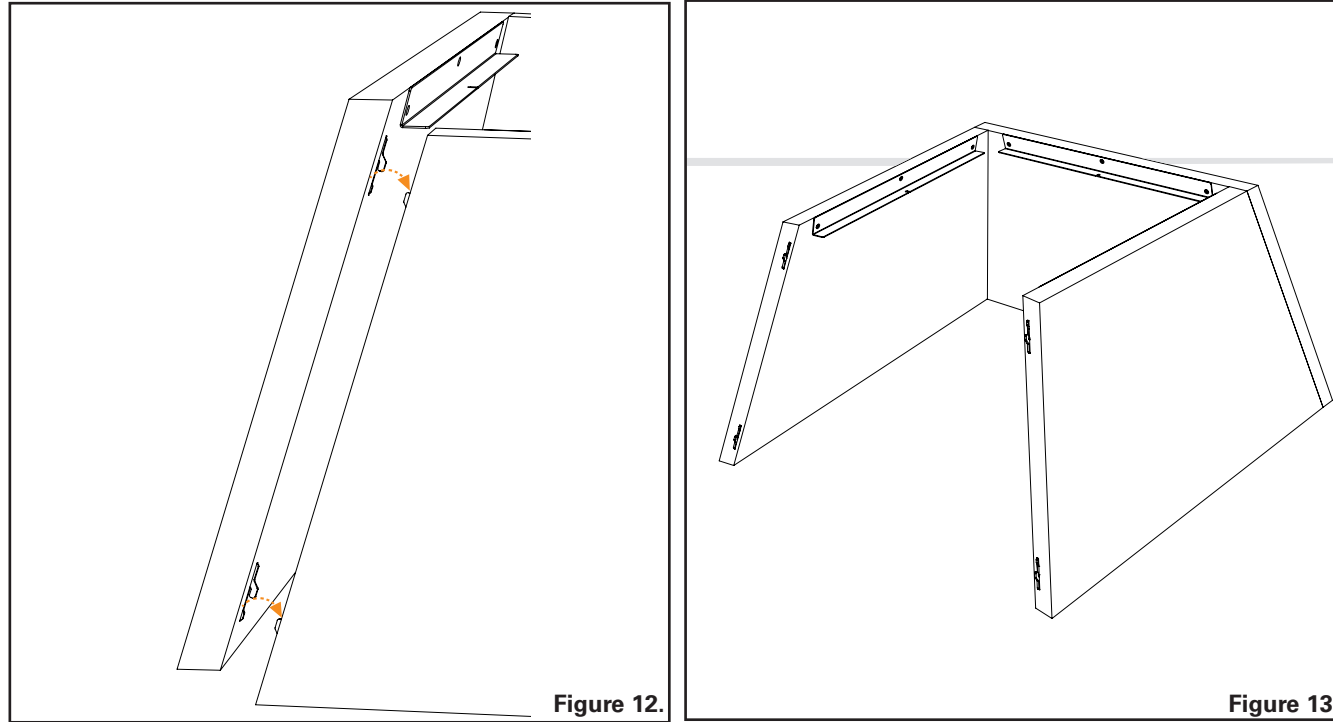
Figure 11.

Step 11a. Raise Decorative Cover and attach to the Driver Compartment using 1X flat head screw (head painted white). Ref. Figure 11.

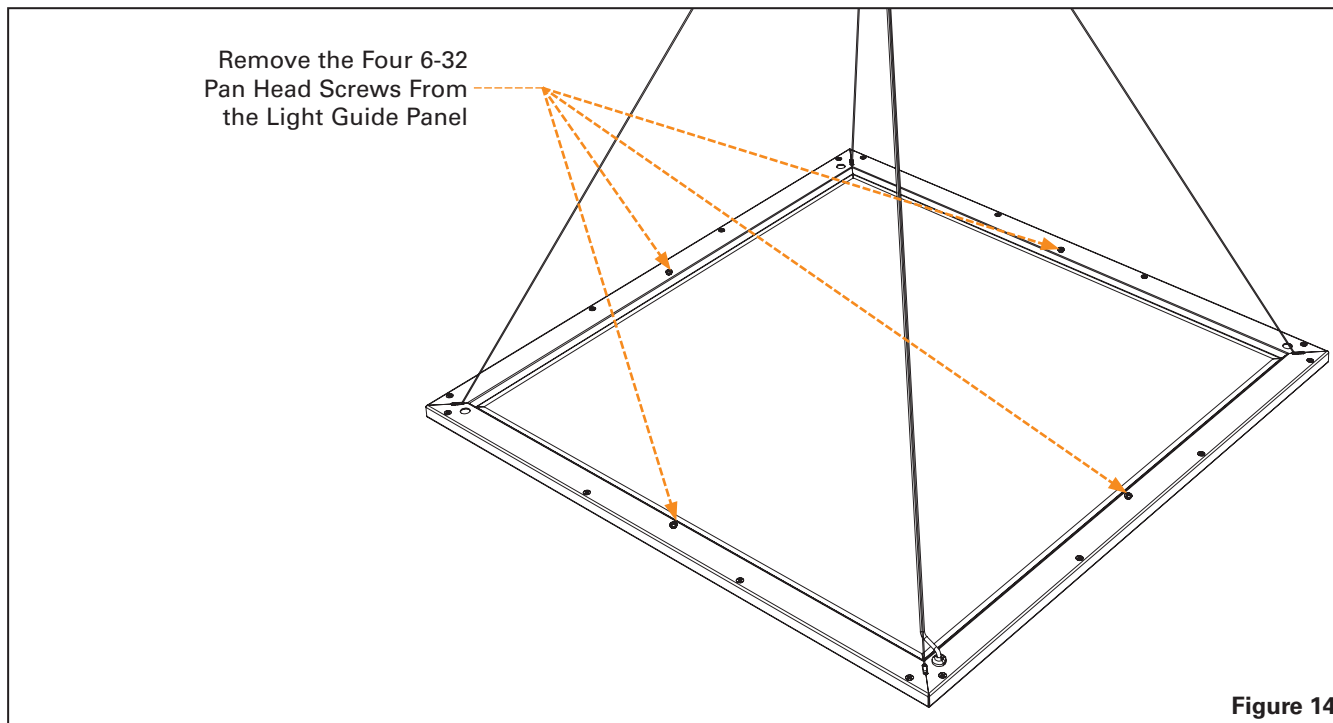
Step 11b. Use Tie Wraps to keep the Low Voltage Cable tight against the Air Craft Cable. Ref. Figure 11.

Step 11c. Pull Low Voltage Cable tight to Air Craft Cable. Ref. Figure 11.

INSTALLATION

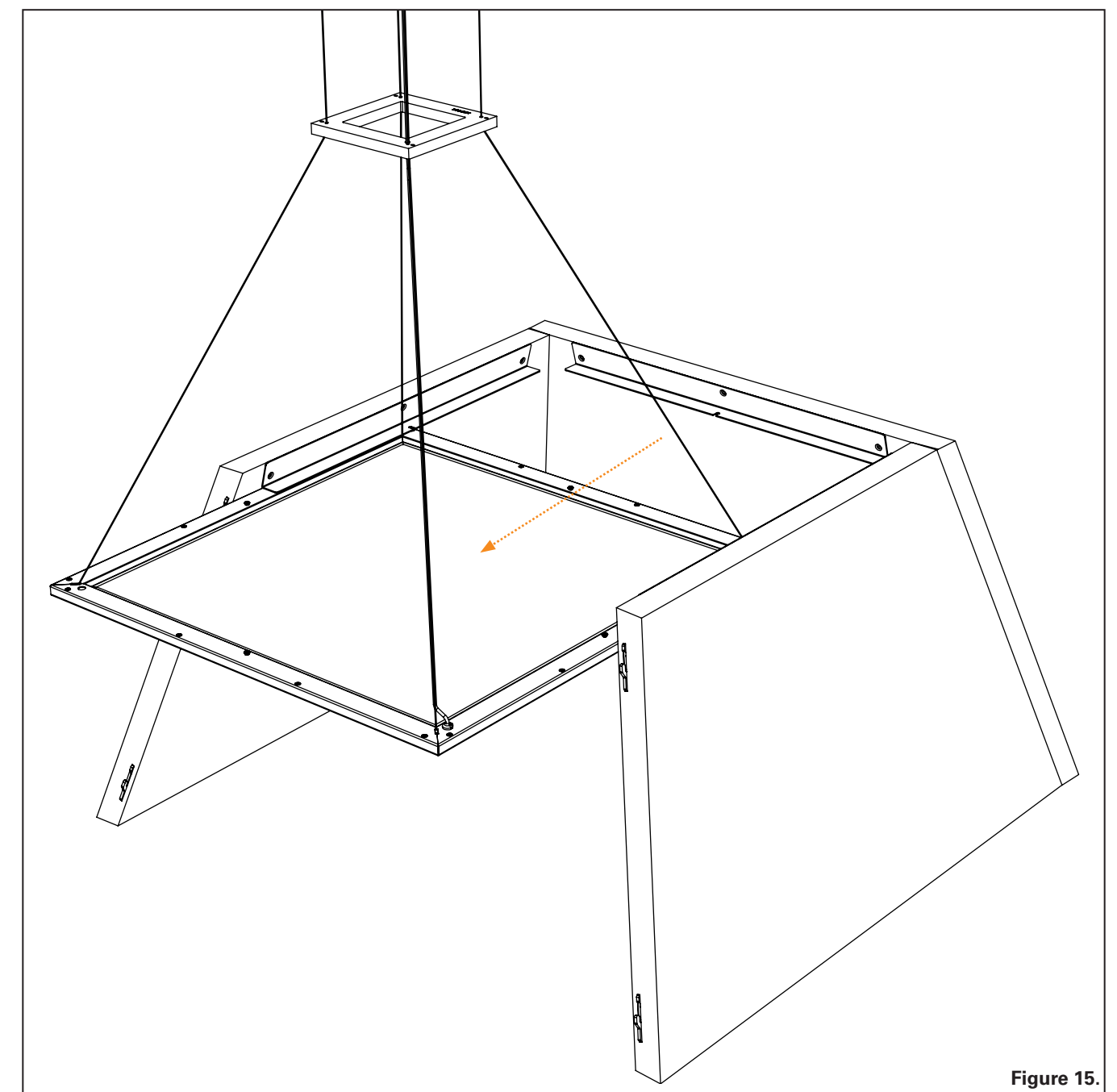


Step 12 and 13. Assemble three of the Acoustic Panels together on the ground ensuring the finger biscuits lock together. Ref. Figure 12 and 13.



Step 14. Remove the four #6-32 pan head screws with white heads from the top of the Light Guide Panel. Ref. Figure 14.

INSTALLATION



Step 15. Take the three Acoustic Panels and carefully slide them over the top of the Light Guide Panel and reinstall three of the #6-32 pan head screws through the acoustic panel brackets. Ref. Figure 15.

INSTALLATION

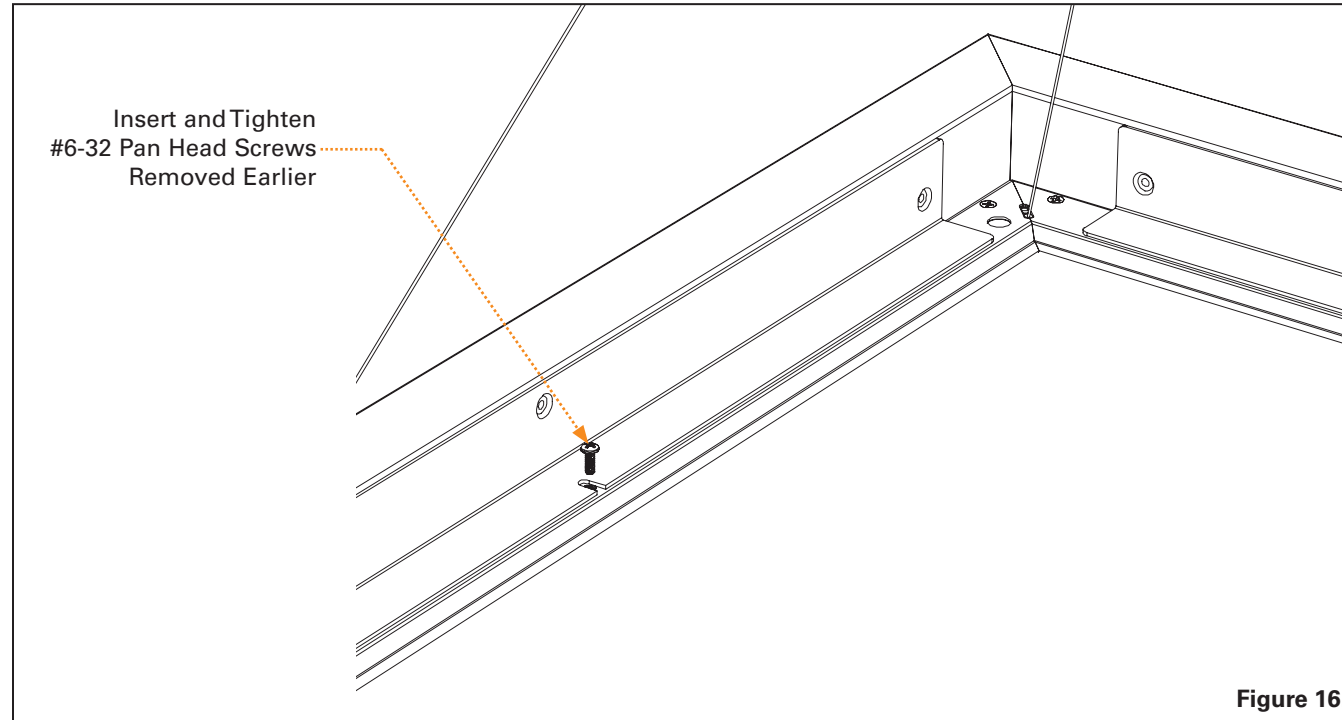


Figure 16.

Step 16. Attach the last acoustic panel by locking the finger biscuits together. Use caution not to pull on the Light Guide Assembly and install the last #6-32 screw in the fourth Acoustic Panel bracket. Once install is complete, remove protective film and foam from light guide panel and acoustic panels.

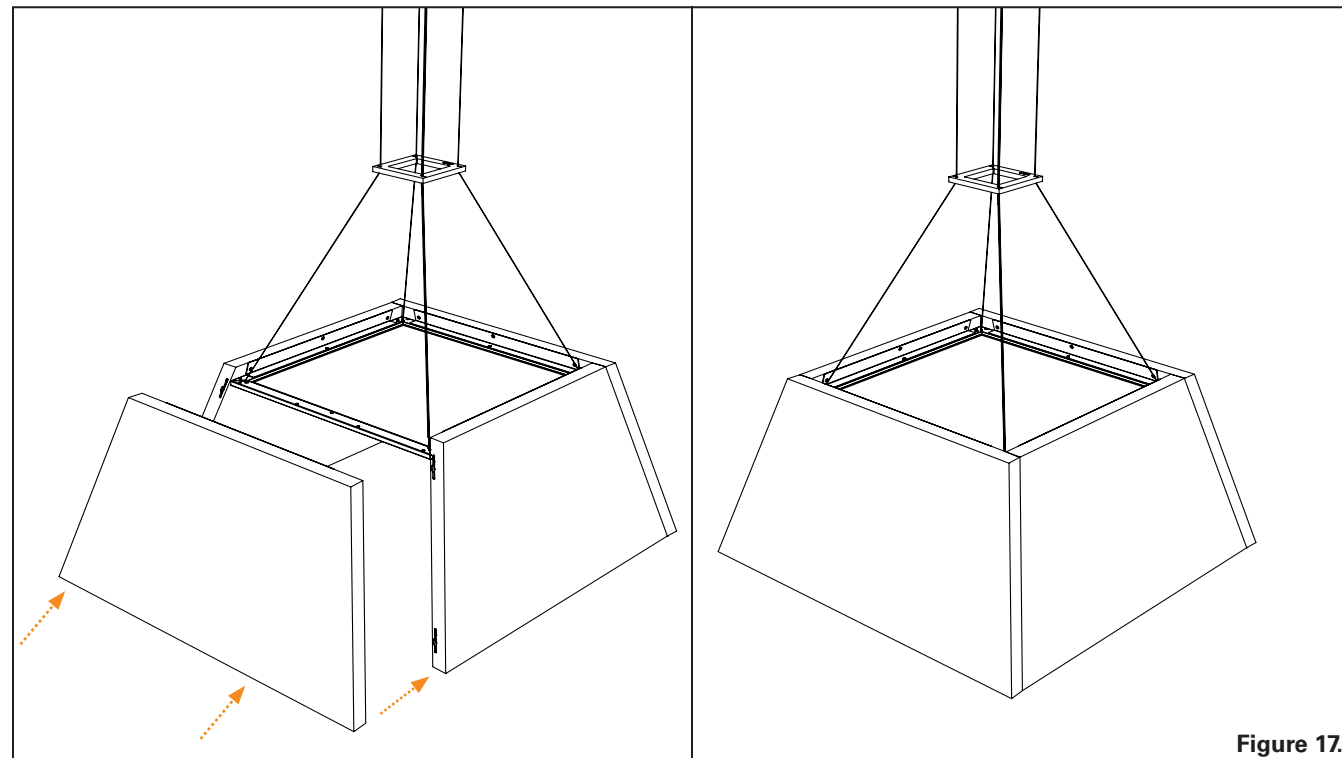


Figure 17.

100% Wool Design Felt Maintenance + Cleaning

About Wool Design Felt

Wool felt is one of the oldest man-made textiles. Since felt is a nonwoven and does not require a loom for its production, ancient people were able to produce it quite easily. Felting of animal hair has been a means of creating clothing, shelter and artistic expression since at least 700 BC. Design Felt is high quality, eco-friendly, durable, with highly saturated colors, and is perfect for demanding design applications.

Water Repellency

While the core of the Merino fiber is capable of absorbing up to a third of its dry weight in moisture, the surface has a waxy coating that repels liquids. Water droplets on the surface of Merino will bead and roll off instead of being absorbed into the felt.

Mildew Resistance

Wool fibers have a natural water wicking property that prevents moisture from being retained in the felt and naturally inhibits mildew. Wool also has natural anti-microbial properties because bacteria tend to be attracted to smooth positively charged surfaces like those of synthetic fibers rather than the scaly, neutrally charged surface of the Merino fiber.

Stain Resistance

Lanolin, the naturally occurring waxy coating on wool fibers, makes wool water repellent and provides an inherent stain resistance. This allows time for liquid spills to be blotted away before permanent staining can occur.

Maintenance and Cleaning

Like any natural fiber, a minimal approach should always be taken to clean wool felt since the cleaning method could potentially do more damage than the stain. The cleaning approach should be (1) dust with a lint roller, (2) vacuum with a clean, soft brush, (3) clean with water and mild detergent, (4) clean with chemical spot remover. **Always test any cleaning method first in an inconspicuous area.**

Wool has a low degree of dry soil pick-up compared with other fibers. However, to remove the accumulation of general airborne debris, wool felt may be cleaned with a standard masking tape lint roller. It is always a good idea to use the lint roller first in any area intended to be spot cleaned. Once per year, it is recommended that the entire surface is given a light vacuum with a clean, soft horsehair upholstery brush. In a clean office environment, it may not be necessary to do this annually. Please note that slight shedding of wool fibers is normal and not indicative of any defect. These loosened fibers are easily vacuumed away and will decrease over time.

If a wet spill should occur, blot up the liquid as soon as possible with a dry cloth to avoid absorption. Avoid aggressive rubbing as this can continue the felting process and change the surface appearance of the felt. For removal of minor stains, if the felt can be removed it is best to obtain the services of a professional dry cleaning company that is familiar with the special care of wool. If not possible, a mild enzyme-based detergent (such as Tide Free) is recommended. Create a dilute solution by adding three parts water to one part detergent in a clean container. Use a clean paper towel to gently blot the detergent into the stain. Press and release, press and release. Using a separate container of just clear water, use clean, moist paper towels to blot more water into the stain. Press and release, press and release. Finish by blotting firmly with clean, dry paper towels until the area is nearly dry.

There are many solvent-based spot removers available. Although they are not recommended except in the case of emergency, the best choices for wool felt are dry cleaning fluids. Be sure to test in an inconspicuous area first. Blot the stained area with a clean cloth soaked in dry cleaning fluid, then blot with a clean cloth until dry.

info@filzfelt.com | filzfelt.com

filzfelt[•]

FCC Statement

Note: This equipment has been tested and found to comply with the limits for a Class A digital device, pursuant to part 15 of the FCC Rules. These limits are designed to provide reasonable protection against harmful interference when the equipment is operated in a commercial environment. This equipment generates, uses, and can radiate radio frequency energy and, if not installed and used in accordance with the instruction manual, may cause harmful interference to radio communications. Operation of this equipment in a residential area is likely to cause harmful interference in which case the user will be required to correct the interference at his own expense.

Warranties and Limitation of Liability

Please refer to www.cooperlighting.com for our terms and conditions.

Cooper Lighting Solutions
18001 East Colfax Ave
Aurora, CO 80011
P: 800-553-3879
www.cooperlighting.com

© 2020 Cooper Lighting Solutions
All Rights Reserved
Printed in USA
Imprimé aux États-Unis
Impreso en los EE. UU.
Publication No. IL52434921
July 24, 2019

Cooper Lighting Solutions is a registered trademark. All trademarks are property of their respective owners.

Cooper Lighting Solutions est une marque de commerce déposée. Toutes les autres marques de commerce sont la propriété de leur propriétaire respectif.

Cooper Lighting Solutions es una marca comercial registrada. Todas las marcas comerciales son propiedad de sus respectivos propietarios.

Product availability, specifications, and compliances are subject to change without notice

La disponibilité du produit, les spécifications et les conformités peuvent être modifiées sans préavis

La disponibilidad de productos, las especificaciones y los cumplimientos están sujetos a cambio sin previo aviso