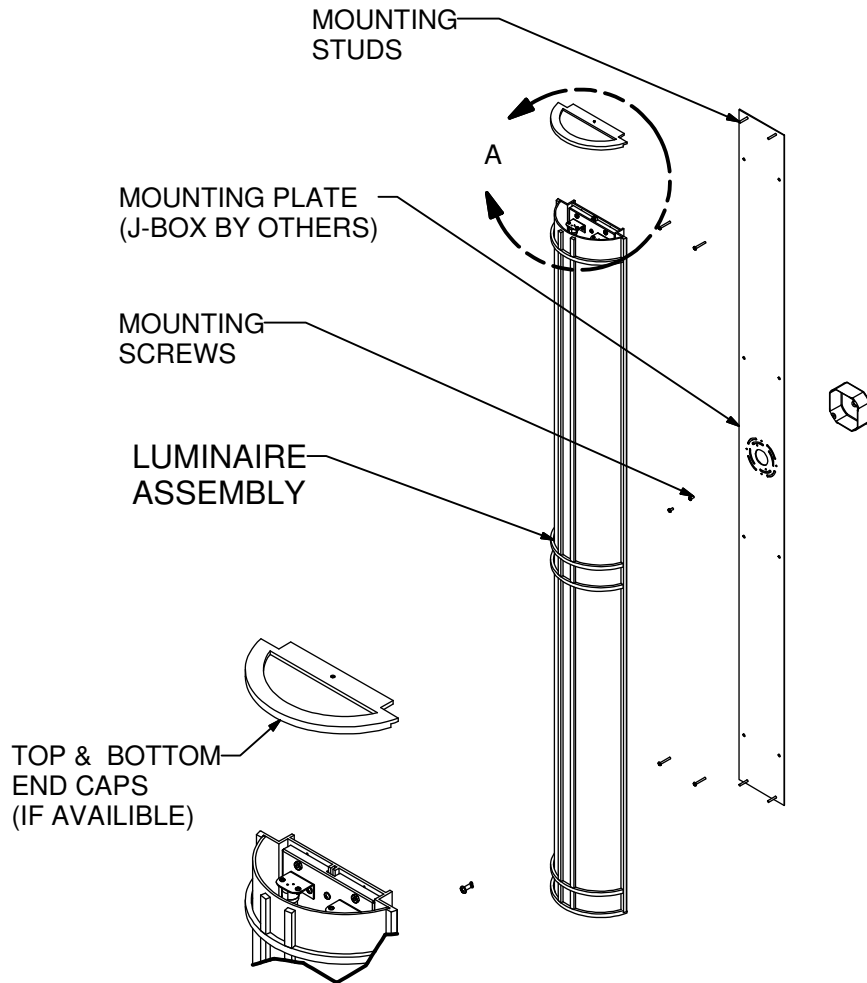
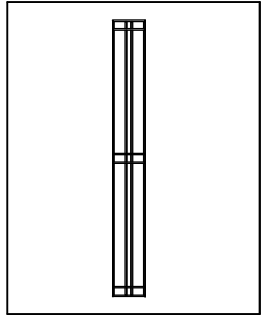


INSTALLATION INSTRUCTIONS



NOTICE:

- For proper installation, have a qualified electrician install this product.
- Before installation of any luminaire onto an electrical junction box, be sure to disconnect power.
- This luminaire must be wired and grounded in accordance with the National Electrical Code, local codes, and ordinances.
- Wire supply connections must be made with U.L. approved connectors.
- Check that luminaire voltage and building voltage are the same.



673

INSTRUCTIONS:

1. Secure mounting plate to structure.
2. Using U.L. approved wire connectors: connect the luminaire neutral (white) to the supply neutral, connect the luminaire line wire (black) to the supply line wire. Fasten green ground wire(s) to ground screw.
3. Secure the luminaire to the mounting studs, on the mounting plate, through the top and bottom openings.
(If luminaire equips with end cap options, it will need to be remove first).
4. Install lamps, apply power and test the luminaire for proper wiring.
5. Re-secure the end caps is applicable.

 **Shaper Lighting**

COOPER LIGHTING SOLUTIONS, 18001 E. COLFAX AVENUE, AURORA, CO 80011
PHONE: 1+ (800) 760-1317

PN# 11507418
REV. A
DATE: 11/16/06