

Shaper

DESCRIPTION

The Shaper 340 Farallon LED 6" recessed downlight with glass trim, provides aesthetic value while providing performance, and utilizes the same Portfolio LED module and housing construction. Lumen packages range from 1000 to 4000 with color temperatures of 2400K, 2700K, 3000K, 3500K, 4000K and 5000K. Also available with dim-to-warm technology - similar to halogen at full power, the 3000K LED dims and warms smoothly down to 1850K, creating a rich glow within the space.

Catalog #		Type
Project		
Comments		Date
Prepared by		

SPECIFICATION FEATURES

Construction

Die cast aluminum 1-1/2" deep collar accommodates ceiling materials up to 2". Universal mounting bracket accepts 1/2" EMT, C channel and bar hangers and adjusts 5" vertically from above and below the ceiling. Spun aluminum lower reflector with a lensed upper optical chamber. Spun reflector is Portfolio Alzak® in Specular Clear finish. Glass Trims: FF / CC / CF / CQ / GCC / GFF / GFC outer cylindrical Borosilicate Glass* (5 mm thick) is available in clear, frosted, or sandblasted quadrate pattern. Bottom edges are ground and polished. GCC / GFF / GFC inner fluted cylindrical Borosilicate Glass* (2.3 mm thick) option is available in clear and frosted. Portfolio recessed downlights are the LD6B EU6B. Refer to Portfolio specification sheets for additional details. Note that Shaper Farallon LED Glass Luminaire is provided complete from Shaper.

*Borosilicate Glass - Contains 5% or more of B2O3, is highly resistant to heat and shock with low coefficients of expansion, which makes it heat-resistant.

Glass

Farallon Glass trims are handcrafted, hand-polished and handdetched. It is

an artisan process. No trims will be exactly alike and slight glass and pattern inconsistencies may occur.

Optics

Two-stage reflector system is Portfolio 6LBW1LI. Produces smooth 75° Beam distribution with excellent light control and low aperture brightness.

LED

Chip on board with a multitude of highly efficient white LED's, combined with a high reflectance upper reflector and transitional lens produce even distribution with no pixilation. Rated for 50,000 hours at 70% lumen maintenance. Color variation within 3-step MacAdam ellipses. Available in 1000, 1500, 2000, 3000, 4000 delivered lumens and 2700K, 3000K, 3500K and 4000K color temperatures at 90 CRI. The Dim-to-warm option starts at 3000K and dims smoothly to 1800K to create a warm, inviting atmosphere.

Driver

Standard 120-277V 0-10V dimming driver provides flicker free dimming from 100% to 1%. Optional 0.1% dimming, DMX, Fifth Light Dali, and Lutron® options available.

Compliance

Thermally protected and cULus listed for damp location. New construction, IC rated up to 1500 lumen, 2000 lumen and above are non-IC rated. RoHS Compliant. Photometric testing completed in accordance with IES LM 79 and TM-30 standards. LED life testing completed in accordance with LM 80 standards. Chicago plenum housing option is also available. Options to meet Buy American Act requirements.

Warranty

Standard five-year warranty on all parts.



340-6B Series

LED Recessed LED 6" Farallon Glass Downlight



ORDERING INFORMATION "HOUSING": (Select HOUSING and then MODULE/TRIM/GLASS KIT for complete specification)

Sample Housing Number: 340-6B-15-D010

Domestic Preferences ⁴	Series	Housing	Light Level/Wattage	Voltage	Driver
[Blank] = Standard BAA = Buy American Act	340 Shaper Farallon recessed downlight (housing)	6B 6" downlight 6BCP 6" downlight Chicago Plenum	10 1000 lumens, 11W ¹ 15 1500 lumens, 15.5W ¹ 20 2000 lumens, 21.2W ¹ 30 3000 lumens, 27.6W ² 40 4000 lumens, 41.6W ²	Blank 120 - 277V 347 347V step down transformer	D010 0-10V Dimming, 1% to 100%, 120V-277V D10TR 0-10V Line Voltage Dimming, 5% to 100%, 120V-277V DE010 0-10V Dimming, 1% to 100%, 120V-277V D5LT Fifth Light® (DALI) Dimming, 0%-100%, 120V-2177V DMX DMX Dimming, 0% to 100%, 120V-277V DL2 Lutron® Hi-Lume Forward Phase Dimming, 1%-100%, 120V only DL3 Lutron® Hi-Lume 3 Wire Dimming, 1%-100%, 120V-277V DLE Lutron® Ecosystem dimming, 1%-100%, 120V-277V

Notes (4) Only product configurations with this designated prefix are built to be compliant with the Buy American Act of 1933 (BAA). Please refer to [DOMESTIC PREFERENCES](#) website for more information. Components shipped separately may be separately analyzed under domestic preference requirements.

ORDERING INFORMATION "MODULE/TRIM/GLASS KIT": (Select HOUSING and then MODULE/TRIM/GLASS KIT for complete specification)

Sample Module/Trim/Glass Kit Number: 340-EU6B-10-9030D2W-6LBW1LI-FF

Domestic Preferences ⁴	Series	Module	Light Level	Color Temperature/CRI	Trim
[Blank] = Standard BAA = Buy American Act	340 Shaper Farallon recessed downlight (module + glass trim)	EU6B 6" Universal LED Module	1020 1000-2000 lumens 1015 IC 1000-1500 lumens, IC rated 3040 3000-4000 lumens Dim 2 Warm options ³ 10 1000 lumens, D2W 15 1500 lumens, D2W 20 2000 lumens, D2W	9024 90 CRI, 2400K 9027 90 CRI, 2700K 9030 90 CRI, 3000K 9035 90 CRI, 3500K 9040 90 CRI, 4000K 9050 90 CRI, 5000K 9030D2W 90 CRI, 1800-3000K Dim 2 Warm ³	6LBW1LI 6" wide, self-flanged specular clear trim FF Flared Frosted glass kit CC Cylindrical Clear glass kit CF Cylindrical Frosted glass kit CQ Cylindrical Frosted, Quadrate etched glass kit GFF Glass-in-a-Glass, Frosted Inside, Frosted Outside glass kit GFC Glass-in-a-Glass, Frosted Inside, Clear Outside glass kit GCC Glass-in-a-Glass, Clear Inside, Clear Outside glass kit

Notes (4) Only product configurations with this designated prefix are built to be compliant with the Buy American Act of 1933 (BAA). Please refer to [DOMESTIC PREFERENCES](#) website for more information. Components shipped separately may be separately analyzed under domestic preference requirements.

COMPLETE ORDERING INFORMATION: (must order HOUSING + MODULE/TRIM/GLASS KIT for complete fixture)

Sample for complete fixture: 340-6B15D010

340-EU6B109030D2W-6LBW1LI-FF

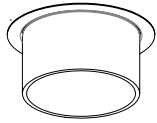


Cooper Lighting Solutions
18001 E. Colfax Avenue
Denver, CO 80011
www.cooperlighting.com

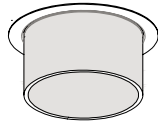
Specifications and dimensions subject to change without notice. See additional information on the following pages.

TD520090EN
10-2017

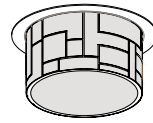
GLASS TRIM OPTIONS



CC
Cylindrical Glass,
Polished-Clear



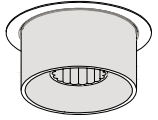
CF
Cylindrical Glass,
Polished-Frosted



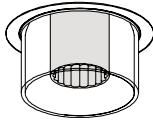
CQ
Cylindrical Glass,
Polished-Frosted
Quadrate Etch



GCC
Glass-in-a Glass,
Polished-Clear Inside,
Clear outside

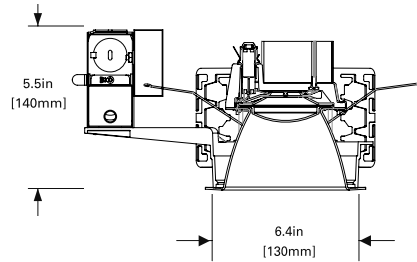
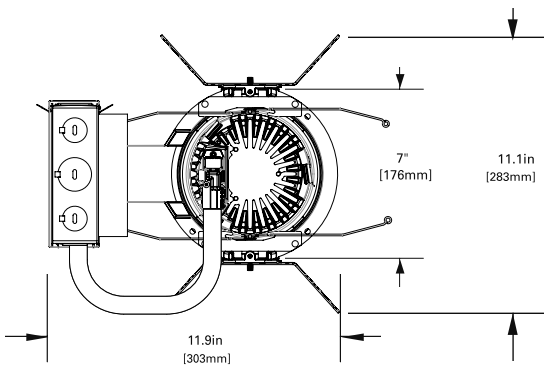


GF
Glass-in-a Glass,
Polished-Frosted Inside,
Frosted outside

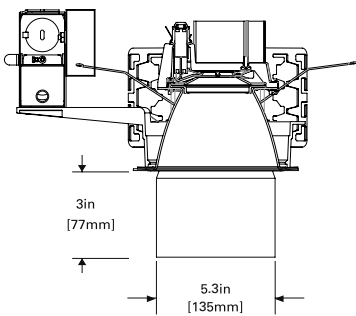


GCF
Glass-in-a Glass,
Polished-Frosted Inside,
Clear outside

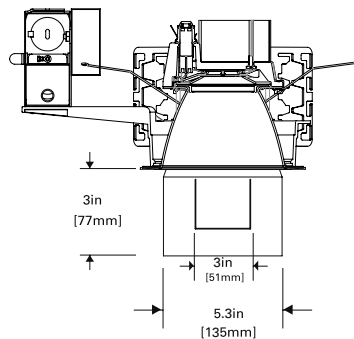
GLASS, TRIM, HOUSING DIMENSIONS



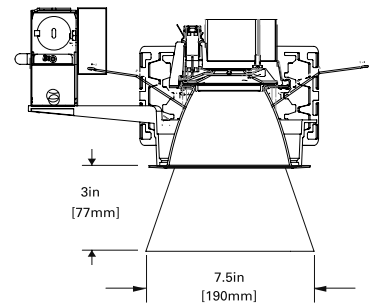
CC, CF and CQ



GCC, GFF and GCF



FF



DATA AND ADDITIONAL INFORMATION

ENERGY DATA
Sound Rating: Class A standards (Values at non-dimming line voltage)
Minimum Starting Temperature: -30°C (-22°F)
EMI/RFI: FCC Title 47 CFR, Part 15, Class B (Consumer)
Input Voltage: UNV (120V - 277V)
Power Factor: >0.90 (at nominal input 120-277 VAC & 100% of Rated Output Power)
Input Frequency: 50/60Hz

1000 Lumen D010		1500 Lumen D010	
Input Power: 11W	THD: <14%	Input Power: 15.5W	THD: <13%
120V Input Current: 0.09A	277 Input Current: 0.04A	120V Input Current: 0.13A	277V Input Current: 0.06A

2000 Lumen D010		3000 Lumen D010	
Input Power: 21.2W	THD: <9%	Input Power: 27.6W	THD: <10%
120V Input Current: 0.18A	277 Input Current: 0.08A	120V Input Current: 0.23A	277V Input Current: 0.10A

4000 Lumen D010	
Input Power: 41.6W	THD: <13%
120V Input Current: 0.35A	277 Input Current: 0.15A



Cooper Lighting Solutions
18001 E. Colfax Avenue
Denver, CO 80011
www.cooperlighting.com

Specifications and dimensions subject to change without notice. See additional information on the following pages.