

DESCRIPTION

The Shaper 340 Farallon LED 4" recessed downlight with glass trim, provides aesthetic value while providing performance, and utilizes the same Portfolio LED module and housing construction. Lumen packages range from 1000 to 4000 with color temperatures of 2400K, 2700K, 3000K, 3500K, 4000K and 5000K. Also available with dim-to-warm technology - similar to halogen at full power, the 3000K LED dims and warms smoothly down to 1850K, creating a rich glow within the space.

Catalog #		Type	
Project		Date	
Comments			
Prepared by			

SPECIFICATION FEATURES

Construction

Die cast aluminum 1-1/2" deep collar accommodates ceiling materials up to 2" Universal mounting bracket accepts 1/2" EMT, C channel and bar hangers and adjusts 5" vertically from above and below the ceiling. Spun aluminum lower reflector with a lensed upper optical chamber. Spun reflector is Portfolio Alzak® in Specular Clear finish. Glass Trims: FF / CC / CF / CQ / GCC / GFF / GFC outer cylindrical Borosilicate Glass* (5 mm thick) is available in clear, frosted, or sandblasted quadrate pattern. Bottom edges are ground and polished. GCC / GFF / GFC inner fluted cylindrical Borosilicate Glass* (2.3 mm thick) option is available in clear and frosted. Portfolio recessed downlights are the LD4B EU4B. Refer to Portfolio specification sheets for additional details. Note that Shaper Farallon LED Glass Luminaire is provided complete from Shaper.

*Borosilicate Glass - Contains 5% or more of B2O3, is highly resistant to heat and shock with low coefficients of expansion, which makes it heat-resistant.

Glass

Farallon Glass trims are handcrafted, hand-polished and handetched.

It is an artisan process. No trims will be exactly alike and slight glass and pattern inconsistencies may occur.

Optics

Two-stage reflector system is Portfolio 4LBW1LI. Produces smooth 75° Beam distribution with excellent light control and low aperture brightness.

LED

Chip on board with a multitude of highly efficient white LED's, combined with a high reflectance upper reflector and transitional lens produce even distribution with no pixilation. Rated for 50,000 hours at 70% lumen maintenance. Color variation within 3-step MacAdam ellipses. Available in 1000, 1500, 2000, 3000, 4000 delivered lumens and 2700K, 3000K, 3500K and 4000K color temperatures at 90 CRI. The Dimto-warm option starts at 3000K and dims smoothly to 1800K to create a warm, inviting atmosphere.

Driver

Standard 120-277V 0-10V dimming driver provides flicker free dimming from 100% to 1%. Optional 0.1% dimming, DMX, Fifth Light Dali, and Lutron® options available.

Compliance

Thermally protected and cULus listed for damp location. New construction, IC rated up to 1500 lumen, 2000 lumen and above are non-IC rated. RoHS Compliant. Photometric testing completed in accordance with IES LM 79 and TM-30 standards. LED life testing completed in accordance with LM 80 standards. Chicago plenum housing option is also available. Options to meet Buy American Act requirements.

Warranty

Standard five-year warranty on all parts.



340-4B Series

LED

Recessed

LED 4" Farallon Glass Downlight



ORDERING INFORMATION "HOUSING": (Select HOUSING and then MODULE/TRIM/GLASS KIT for complete specification)

Sample Housing Number: 340-4B15D010

Domestic Preferences ⁽⁴⁾	Series	Housing	Light Level/Wattage	Voltage	Driver
[Blank] = Standard BAA = Buy American Act	340 Shaper Farallon recessed-downlight (housing)	4B 4" downlight 4BCP 4" downlight Chicago Plenum	10 1000 lumens, 11W ¹ 15 1500 lumens, 15.5W ¹ 20 2000 lumens, 21.2W ¹ 30 3000 lumens, 27.6W ² 40 4000 lumens, 41.6W ²	Blank 120 - 277V 347 347V step down transformer	D010 0-10V Dimming, 1% to 100%, 120V-277V D10TR 0-10V Line Voltage Dimming, 5% to 100%, 120V-277V DE010 0-10V Dimming, 1% to 100%, 120V-277V D5LT Fifth Light® (DALI) Dimming, 0%-100%, 120V-2177V DMX DMX Dimming, 0% to 100%, 120V-277V DL2 Lutron® Hi-Lume Forward Phase Dimming, 1%-100%, 120V only DL3 Lutron® Hi-Lume 3 Wire Dimming, 1%-100%, 120V-277V DLE Lutron® Ecosystem dimming, 1%-100%, 120V-277V

Notes (4) Only product configurations with this designated prefix are built to be compliant with the Buy American Act of 1933 (BAA). Please refer to [DOMESTIC PREFERENCES](#) website for more information. Components shipped separately may be separately analyzed under domestic preference requirements.

ORDERING INFORMATION "MODULE/TRIM/GLASS KIT": (Select HOUSING and then MODULE/TRIM/GLASS KIT for complete specification)

Sample Module/Trim/Glass Kit Number: 340-EU4B109030D2W-4LBW1LI-FF

Domestic Preferences ⁽⁴⁾	Series	Module	Light Level	Color Temperature/CRI	Trim
[Blank] = Standard BAA = Buy American Act	340 Shaper Farallon recessed downlight (module + glass trim)	EU4B 4" Universal LED Module	1020 1000-2000 lumens 1015 IC 1000-1500 lumens, IC rated 3040 3000-4000 lumens Dim 2 Warm options ³ 10 1000 lumens, D2W 15 1500 lumens, D2W 20 2000 lumens, D2W	9024 90 CRI, 2400K 9027 90 CRI, 2700K 9030 90 CRI, 3000K 9035 90 CRI, 3500K 9040 90 CRI, 4000K 9050 90 CRI, 5000K 9030D2W 90 CRI, 1800-3000K Dim 2 Warm ³	4LBW1LI 4" wide, self-flanged specular clear trim FF Flared Frosted glass kit CC Cylindrical Clear glass kit CF Cylindrical Frosted glass kit CQ Cylindrical Frosted, Quadrate etched glass kit GFF Glass-in-a-Glass, Frosted Inside, Frosted Outside glass kit GFC Glass-in-a-Glass, Frosted Inside, Clear Outside glass kit GCC Glass-in-a-Glass, Clear Inside, Clear Outside glass kit

Notes (4) Only product configurations with this designated prefix are built to be compliant with the Buy American Act of 1933 (BAA). Please refer to [DOMESTIC PREFERENCES](#) website for more information. Components shipped separately may be separately analyzed under domestic preference requirements.

COMPLETE ORDERING INFORMATION: (must order HOUSING + MODULE/TRIM/GLASS KIT for complete fixture)

Sample for complete fixture: 340-4B15D010

340-EU4B109030D2W-4LBW1LI-FF

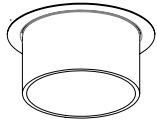


Cooper Lighting Solutions
18001 E. Colfax Avenue
Denver, CO 80011
www.cooperlighting.com

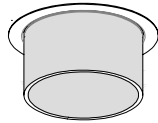
Specifications and dimensions subject to change without notice. See additional information on the following pages.

TD525025EN
10-2017

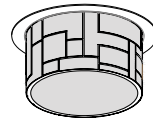
GLASS TRIM OPTIONS



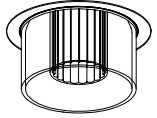
CC
Cylindrical Glass,
Polished-Clear



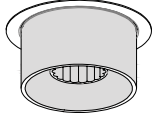
CF
Cylindrical Glass,
Polished-Frosted



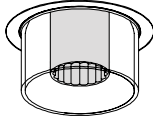
CQ
Cylindrical Glass,
Polished-Frosted
Quadrate Etch



GCC
Glass-in-a Glass,
Polished-Clear Inside,
Clear outside

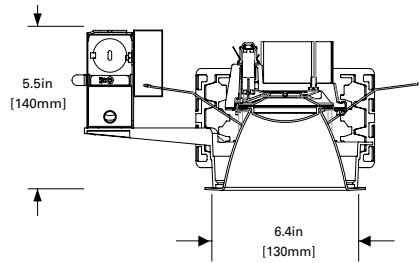
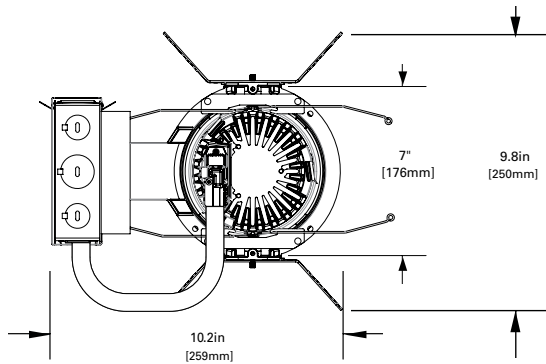


GF
Glass-in-a Glass,
Polished-Frosted Inside,
Frosted outside



GCF
Glass-in-a Glass,
Polished-Frosted Inside,
Clear outside

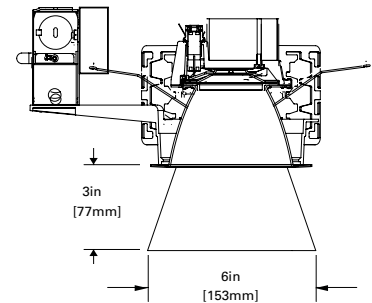
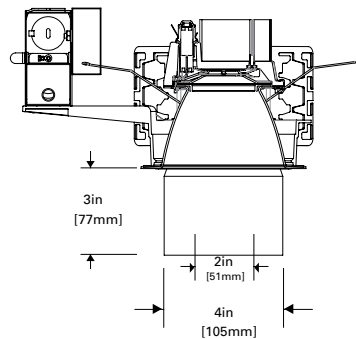
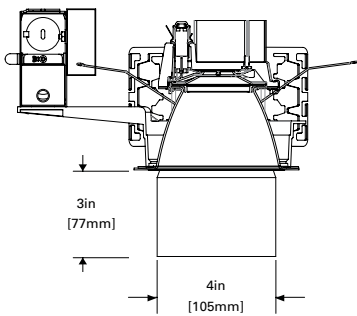
GLASS, TRIM, HOUSING DIMENSIONS



CC, CF and CQ

GCC, GFF and GCF

FF



DATA AND ADDITIONAL INFORMATION

ENERGY DATA	
Sound Rating: Class A standards (Values at non-dimming line voltage)	
Minimum Starting Temperature: -30°C (-22°F)	
EMI/RFI: FCC Title 47 CFR, Part 15, Class B (Consumer)	
Input Voltage: UNV (120V - 277V)	
Power Factor: >0.90 (at nominal input 120-277 VAC & 100% of Rated Output Power)	
Input Frequency: 50/60Hz	

1000 Lumen D010		1500 Lumen D010	
Input Power: 11W	THD: <14%	Input Power: 15.5W	THD: <13%
120V Input Current: 0.09A	277 Input Current: 0.04A	120V Input Current: 0.13A	277V Input Current: 0.06A

2000 Lumen D010		3000 Lumen D010	
Input Power: 21.2W	THD: <9%	Input Power: 27.6W	THD: <10%
120V Input Current: 0.18A	277 Input Current: 0.08A	120V Input Current: 0.23A	277V Input Current: 0.10A

4000 Lumen D010	
Input Power: 41.6W	THD: <13%
120V Input Current: 0.35A	277 Input Current: 0.15A

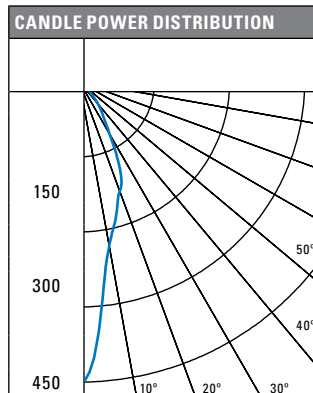


Cooper Lighting Solutions
18001 E. Colfax Avenue
Denver, CO 80011
www.cooperlighting.com

Specifications and dimensions subject to change without notice. See additional information on the following pages.

PHOTOMETRICS

SHAPER 340-4B CLEAR CYLINDER	
Test Number	P228950
Lumcat	340-4B-10-D010 / 340-EU4B-1020-9035-4LBW1LI-CC
Lumens	652 Lm
Watts	9.9W
LPW	65.9 Lm/W
CCT	3500K
SC (0°)	0.4
CBCP	1305 cd



ZONAL LUMEN SUMMARY		
Zone	Lumens	% Fixture
0-30	441	67.6
0-40	554	85
0-60	635	97.3
0-90	652	99.9
90-180	0	0.1
0-180	652	100

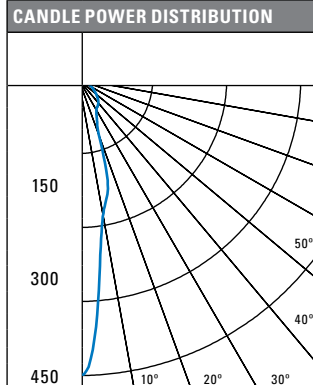
LUMINANCE DATA	
Angle Candela Degrees	Average 0° Luminance (cd/sm)
30	34928
45	11203
55	5379
65	3156
75	1927
85	932

CANDELA TABLE	
Degrees Vertical	Candela
0	1305
5	1038
15	610
25	415
35	176
45	68
55	27
65	12
75	4
85	1
90	0

CONE OF LIGHT				
0° Aiming Angle Horizontal Illuminance on Floor				
MH	FC	L	W	
6'	36.2	2.4	2.4	
8'	20.4	3.2	3.2	
10'	13	4	4	
12'	9.1	4.8	4.8	
15'	5.8	6	6	

MH = Mounting Height
FC = Footcandle
L = Length of eclipse
W = Width of eclipse

SHAPER 340-4B FROSTED CYLINDER	
Test Number	P229095
Lumcat	340-4B-10-D010 / 340-EU4B-1020-9035-4LBW1LI-GCC
Lumens	714 Lm
Watts	9.9 W
LPW	72.2 Lm/W
CCT	3500K
SC (0°)	0.83
CBCP	757 cd



ZONAL LUMEN SUMMARY		
Zone	Lumens	% Fixture
0-30	270	43.8
0-40	352	57.3
0-60	504	81.9
0-90	603	98
90-180	13	2
0-180	615	100

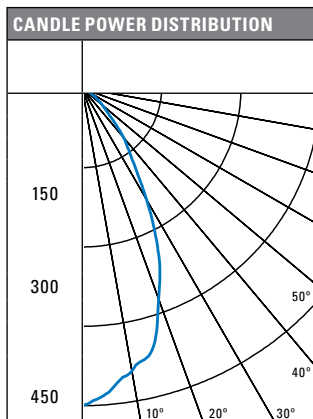
LUMINANCE DATA	
Angle Candela Degrees	Average 0° Luminance (cd/sm)
30	9577
45	6640
55	4452
65	2845
75	1802
85	1174

CANDELA TABLE	
Degrees Vertical	Candela
0	1188
5	897
15	454
25	172
35	132
45	109
55	75
65	48

CONE OF LIGHT				
0° Aiming Angle Horizontal Illuminance on Floor				
MH	FC	L	W	
6'	33	1.8	1.8	
8'	18.6	2.4	2.4	
10'	11.93	3	3	
12'	8.3	3.6	3.6	
15'	5.3	4.4	4.4	

MH = Mounting Height
FC = Footcandle
L = Length of eclipse
W = Width of eclipse

SHAPER 340-4B CLEAR GLASS CYLINDER IN CLEAR GLASS CYLINDER	
Test Number	P229298
Lumcat	340-6B-10-D010 / 340-EU6B-1020-9035-6LBW1LI-GCC
Lumens	720 Lm
Watts	9.9 W
LPW	72.8 Lm/W
CCT	3500K
SC (0°)	0.82
CBCP	737 cd



ZONAL LUMEN SUMMARY		
Zone	Lumens	% Fixture
0-30	438	61.3
0-40	572	80.1
0-60	685	95.9
0-90	713	99.8
90-180	1	0.2
0-180	714	100

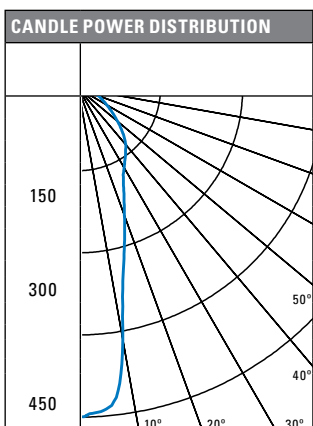
LUMINANCE DATA	
Angle Candela Degrees	Average 0° Luminance (cd/sm)
30	41088
45	15435
55	7987
65	4720
75	3540
85	2928

CANDELA TABLE	
Degrees Vertical	Candela
0	757
5	728
15	646
25	429
35	208
45	94
55	40
65	17
75	8
85	2
90	1

CONE OF LIGHT				
0° Aiming Angle Horizontal Illuminance on Floor				
MH	FC	L	W	
6'	21	5	5	
8'	11.8	6.6	6.6	
10'	7.6	8.2	8.2	
12'	5.3	10	10	
15'	3.4	12.4	12.4	

MH = Mounting Height
FC = Footcandle
L = Length of eclipse
W = Width of eclipse

SHAPER 340-4B FROSTED GLASS CYLINDER IN FROSTED GLASS CYLINDER	
Test Number	P229066
Lumcat	340-4B-10-D010 / 340-EU4B-1020-9035-4LBW1LI-GFC
Lumens	593 Lm
Watts	9.9 W
LPW	59.9 Lm/W
CCT	3500K
SC (0°)	0.52
CBCP	595 cd



ZONAL LUMEN SUMMARY		
Zone	Lumens	% Fixture
0-30	233	39.3
0-40	326	55
0-60	481	81.2
0-90	582	98.2
90-180	11	1.8
0-180	593	100

LUMINANCE DATA	
Angle Candela Degrees	Average 0° Luminance (cd/sm)
30	11227
45	6944
55	4411
65	2845
75	1888
85	1220

CANDELA TABLE	
Degrees Vertical	Candela
0	595
5	583
15	319
25	193
35	149
45	114
55	75
65	48
75	31
85	19
90	14

CONE OF LIGHT				
0° Aiming Angle Horizontal Illuminance on Floor				
MH	FC	L	W	
6'	16.5	3	3	
8'	9.3	4	4	
10'	5.9	5	5	
12'	4.1	6.2	6.2	
15'	2.6	7.6	7.6	

MH = Mounting Height
FC = Footcandle
L = Length of eclipse
W = Width of eclipse

TECHNICAL NOTES

- For Standard Light Levels, select 10, 15, or 20 under HOUSING Light Levels, and 1020 under MODULE's Light Level. Then select corresponding CRI.
- For Standard Light Levels, select 30 or 40 for HOUSING Light Level, and 3040 under MODULE's Light Level. Then select corresponding CRI.
- For IC Option, select 10 or 15 under HOUSING Light Level, and 1015IC for MODULE's Light Level. Then select corresponding CRI.
- For Dim to Warm (D2W) - select 10, 15, or 20 under HOUSING Light Levels, and 10, 15, or 20 under MODULE's Light Level, and 9030D2W for Color temp/CRI.
- See Light Level for HOUSING + MODULE + CCT/CRI chart for all compatibility on page 2.