

## DESCRIPTION

The 145 series is a decorative pendant family with an conical form. This product is a inverted tapered shape shade, with a variety of options to highlight elegant spatial forms. The integral LED light engine is available in 2700K, 3000K, 3500K, and 4000K color temperatures that evenly illuminates the shade and the bottom lens, with 83+ CRI. The stem, canopy, and finial finishes are available in many painted options. Shaper's Fabrique collection is known for its high quality hand tucked fabrics. Heavy gauged steel frame, laminated styrene backing, and minimum internal structure. Shades come in three standard sizes, eleven standard fabrics and three vinyl materials, as well as the ability to customize, allowing the designer to select a look for any space.

## SPECIFICATION FEATURES

### Construction

Aluminum housing, cold rolled steel cover and bracket extensions with LED boards attached. Matte white acrylic bottom diffuser with one finial, standard. Optional matte white acrylic top cover available (TC).

5" diameter canopy with self aligning swivel. Stem is 1/2" aluminum tubing with threaded rod. Air craft cable option is 3/64" cable. Slope adapter option available (SCA-XX - 8°- 45°, but slope dimension must be provided).

### 24" Diameter

Standard length =

24" OAH (Overall Height)

Min	Max
12" OAH	96" OAH

### 30" Diameter

Standard length =

30" OAH (Overall Height)

Min	Max
14" OAH	96" OAH

### 36" Diameter

Standard length =

36" OAH (Overall Height)

Min	Max
16" OAH	96" OAH

Stem Options	
Single Rigid Stem	-P1S
Single Stem Air Craft Cable	-P1SAC

Consult factory for non standard lengths under min and over 96".

### Painted Finishes

ALP - Aluminum Paint  
BM - Bronze Metallic  
DP - Dark Platinum  
GRM - Graphite Metallic  
MB - Matte Black  
MW - Matte White  
CC - Custom Color – Specify  
Consult factory for custom color.

### Shades

Aluminum wire frame painted white. Material backed on to heavy translucent white styrene. All shades have "Hand-Tucked Rolled Edges" except for Vinyl. Shade in Shade offers 2 material selections, overlapping each other.

### Fabric Shade Selections

SIW - Silk White  
SIY - Silk Ivory  
SWH - Shantung White  
SEG - Shantung Eggshell  
SBG - Shantung Beige  
GBB - Glynn Brussels Beige  
LOLA - Lola Sand  
NGS - Silk Glow  
LCK - Linen Chopstick  
LAT - Linen Alabaster  
VLW - Verona Linen White

Catalog #	Type
Project	
Comments	
Prepared by	Date

### Vinyl Coated Fabric

ABR - Alabaster Vinyl  
NFX - Natural Flax  
GHY - Golden Honey

**Note:** For humid environments, such as showers or open lobbies, Vinyl Coated Fabrics are recommended.

### LEDs

LEDs are offered in four color temperatures: 2700K, 3000K, 3500K, and 4000K CCTs at 80+ CRI. Rated Lamp Life: 50,000 hrs

### Electrical

Standard driver is electronic universal voltage (120-277V, 50/60 Hz), greater than 0.9 power factor, less than 20% harmonic distortion, and ambient temperatures of 25°C (77°F).

### Control

Standard driver is 0-10V with 10% dimming.

### Compliance

Components are UL recognized and luminaires are cUL listed for 25° ambient environments. Fixtures are rated for damp location listing. All LED components are RoHS compliant and drivers conform to appropriate FCC regulations. Sconce products meet ADA regulations.

### Life and Warranty

Standard five-year warranty on all parts.



## 145 SERIES

### Diameter: 24"

- Delivered Lumens (@3500K):4180
- Wattage: 47W
- CRI: 83+
- CCT: 2700K, 3000K, 3500K, 4000K

### Diameter: 30"

- Delivered Lumens (@3500K):4193
- Wattage: 79W
- CRI: 83+
- CCT: 2700K, 3000K, 3500K, 4000K

### Diameter: 36"

- Delivered Lumens (@3500K):7162
- Wattage: 79W
- CRI: 83+
- CCT: 2700K, 3000K, 3500K, 4000K



## ORDERING INFORMATION (Select FIXTURE NUMBER and SHADE NUMBER to complete specification)

Fixture Number: 145-24-P1S-L5/827-MW-24

Series	Size	Mounting Type	LED Lamp		LED Voltage	Finish	Options	Overall Height (OAH)
145 = Inverted Conical Pendant	24 = 24"	P1S = Single Stem P1SAC = Single Stem with Aircraft Cable	24"	36"	UNV (120-277)	MW = Matte White MB = Matte Black BM = Bronze Metallic DP = Dark Platinum ALP = Aluminum Paint GRM = Graphite Metallic CC = Custom Color specify	SCA = Sloped ceiling adapter <sup>2</sup> 8'-45" TC = White Acrylic Top Cover	24 = 24" OAH 30 = 30" OAH 36 = 36" OAH XX" = custom length must be specified (145-24=12"- 96") (145-30=14"- 96") (145-36=16"- 96")
	30 = 30"		L5/827 L5/830 L5/835 L5/840	L9/827 L9/830 L9/835 L9/840				
	36 = 36"		30"					
			L5/827 L5/830 L5/835 L5/840					

Notes: <sup>1</sup> Fabric shade not included. Please specify fabric shade from selections provided to complete fixture order. <sup>2</sup> Sloped ceiling adapter can accommodate up to 8-45 degree slope. Slope dimension must be provided.

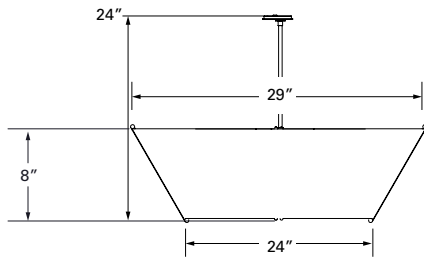
<sup>3</sup>Shade in Shade option for Fabric selections only.

**ORDERING INFORMATION (Select FIXTURE NUMBER and SHADE NUMBER to complete specification)**

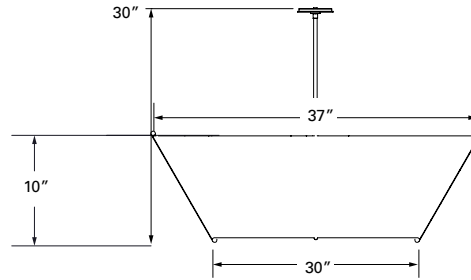
Fixture Number: 145-24-SHD-SIW

Series	Size	SHD	Finish		
145 = Inverted Conical Shade	24 = 24" 30 = 30" 36 = 36"	SHD = Shade Fabric	<b>Fabric:</b> SIW = Silk White SIY = Silk Ivory SWH = Shantung White SEG = Shantung Eggshell SBG = Shantung Beige GBB = Glynn Brussels Beige	LOLA = Lola Sand NGS = Silk Glow LCK = Linen Chopstick LAT = Linen Alabaster VLW = Verona Linen White	<b>Vinyl:</b> ABR = Alabaster Vinyl NFX = Natural Flax GHY = Golden Honey

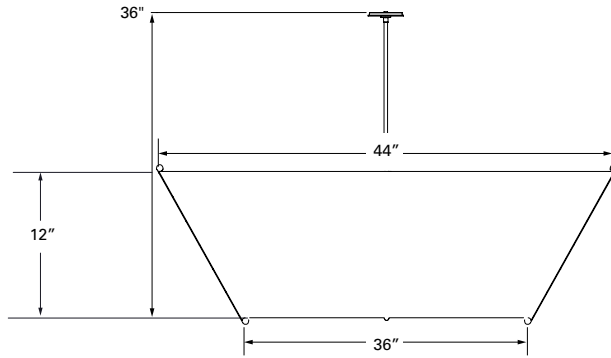
**DIMENSIONS**



**145-24-P1S  
(SINGLE STEM)**

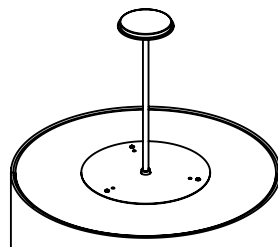


**145-30-P1S  
(SINGLE STEM)**

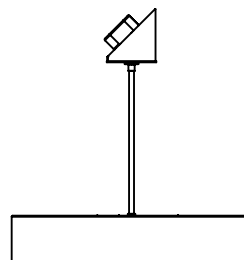


**145-36-P1S  
(SINGLE STEM)**

**OPTIONS**



**TOP COVER (TC)**



**SLOPED CEILING  
ADAPTOR (SCA)**