

# Shaper

## DESCRIPTION

The 140 series is a decorative pendant family with a conical form. This product is a tapered shape shade, with 3 fabric panels which puts a unique twist on the typical decorative shade. It has a variety of options to highlight elegant spatial forms. The integral LED light engine is available in 2700K, 3000K, 3500K, and 4000K color temperatures that evenly illuminates the shade and the bottom lens at 83+ CRI. The stem, canopy, and finial finishes are available in many painted options. Shaper's Fabrique collection is known for its high quality hand tucked fabrics, heavy gauged steel frame, laminated styrene backing, and minimum internal structure. Shades come in two standard sizes, eleven standard fabrics and three vinyl materials, as well as the ability to customize, allowing the designer to select a look for any space.

<b>Catalog #</b>		<b>Type</b>
<b>Project</b>		
<b>Comments</b>		<b>Date</b>
<b>Prepared by</b>		

## SPECIFICATION FEATURES

### Construction

Aluminum housing, cold rolled steel cover and bracket extensions with LED boards attached. Matte white acrylic bottom diffuser with one finial, standard. Optional matte white acrylic top cover available (TC).

5" diameter canopy with self aligning swivel. Stem is 1/2" aluminum tubing with threaded rod. Air craft cable option is 3/64" cable. Slope adapter option available (SCA-XX - 8°- 45°, but slope dimension must be provided).

### 30" Diameter

Standard length =  
36" OAH (Overall Height)

Min	Max
18" OAH	96" OAH

### 36" Diameter

Standard length =  
48" OAH (Overall Height)

Min	Max
20" OAH	96" OAH

### Stem Options

Single Rigid Stem	-P1S
Single Stem Air Craft Cable	-P1SAC

Consult factory for non standard lengths under 18" and over 96".

### Painted Finishes

(canopy, stem, and finial)  
ALP - Aluminum Paint  
BM - Bronze Metallic  
DP - Dark Platinum  
GRM - Graphite Metallic  
MB - Matte Black  
MW - Matte White  
CC - Custom Color – Specify  
Consult factory for custom color.

### Shades

Aluminum wire frame painted white. Material backed on to heavy translucent white styrene. All shades have "Hand-Tucked Rolled Edges" except for Vinyl.

### Fabric Shade Selections

SIW - Silk White  
SIY - Silk Ivory  
SWH - Shantung White  
SEG - Shantung Eggshell  
SBG - Shantung Beige  
GBB - Glynn Brussels Beige  
LOLA - Lola Sand  
NGS - Silk Glow  
LCK - Linen Chopstick  
LAT - Linen Alabaster  
VLW - Verona Linen White

### Vinyl Coated Fabric

ABR - Alabaster Vinyl  
NFX - Natural Flax  
GHY - Golden Honey

**Note:** For humid environments, such as showers or open lobbies, Vinyl Coated Fabrics are recommended.

### LEDs

LEDs are offered in four color temperatures: 2700K, 3000K, 3500K, and 4000K CCTs at 83+ CRI. Rated Lamp Life: 50,000 hrs

### Electrical

Standard driver electronic universal voltage (120-277V, 50/60 Hz), greater than 0.9 power factor, less than 20% harmonic distortion, and ambient temperatures of 25°C (77°F).

### Control

Standard driver is 0-10V with 10% dimming.

### Compliance

Components are UL recognized and luminaires are cUL listed for 25° ambient environments. Fixtures are rated for damp location listing. All LED components are RoHS compliant and drivers conform to appropriate FCC regulations. Sconce products meet ADA regulations.

### Life and Warranty

Standard five-year warranty on all parts.



## 140 SERIES

### Diameter: 30"

- Delivered Lumens (@3500K): 4023
- Wattage: 47W
- CRI: 83+
- CCT: 2700K, 3000K, 3500K, 4000K

### Diameter: 36"

- Delivered Lumens (@3500K): 2105
- Wattage: 79W
- CRI: 83+
- CCT: 2700K, 3000K, 3500K, 4000K



## ORDERING INFORMATION (Select FIXTURE NUMBER and SHADE NUMBER to complete specification)

Fixture Number: 140-30-P1S-L5/827-MW-36

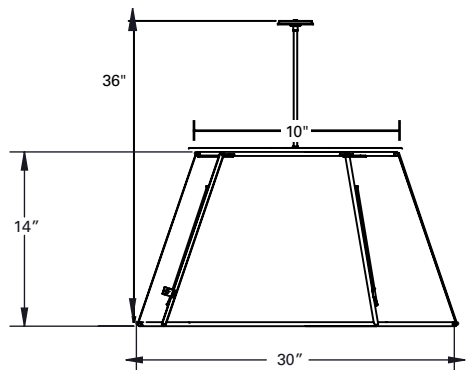
Series <sup>1</sup>	Size	Mounting Type	LED Lamp		LED Voltage	Finish	Options <sup>2</sup>	Overall Height (OAH)
140 = Tapered Conical Pendant	30 = 30" 36 = 36"	P1S = Single Stem P1SAC = Single Stem with Aircraft Cable	30" L5/837 L5/830 L5/835 L5/840	36" L9/827 L9/830 L9/835 L9/840	UNV (120-277)	MW = Matte White MB = Matte Black BM = Bronze Metallic DP = Dark Platinum ALP = Aluminum Paint GRM = Graphite Metallic CC = Custom Color specify	SCAXX = Sloped ceiling adapter TC = White Acrylic Top Cover	36 = 36" OAH 48 = 48" OAH XX" = custom length must be specified (140-30=18"- 96") (140-36=20"- 96")

Notes: <sup>1</sup> Fabric shade not included. Please specify fabric shade from selections provided to complete fixture order. <sup>2</sup> Sloped ceiling adapter can accommodate up to 8-45 degree slope. Slope dimension must be provided.  
<sup>3</sup> Shade in Shade option for Fabric selections only.

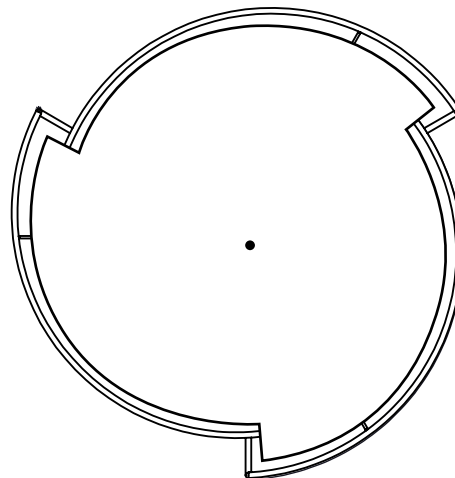
Shade Number: 140-30-SHDSIW

Series	Size	SHD	Finish	
140 = Tapered Conical Shade	30 = 30" 36 = 36"	SHD = Shade Fabric	<b>Fabric:</b> SIW = Silk White SIY = Silk Ivory SWH = Shantung White SEG = Shantung Eggshell SBG = Shantung Beige GBB = Glynn Brussels Beige	LOLA = Lola Sand NGS = Silk Glow LCK = Linen Chopstick LAT = Linen Alabaster VLW = Verona Linen White

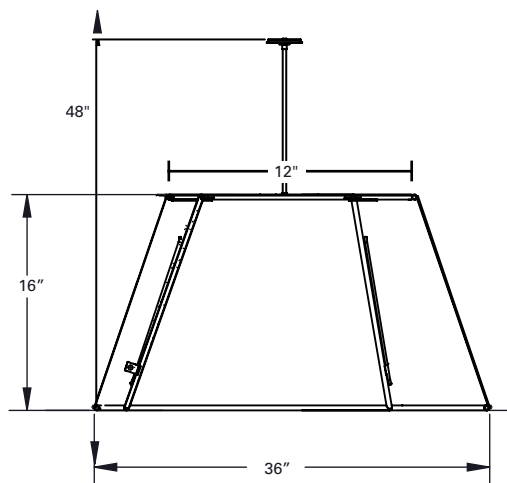
**DIMENSIONS**



**140-30-P1S  
(SINGLE STEM)**

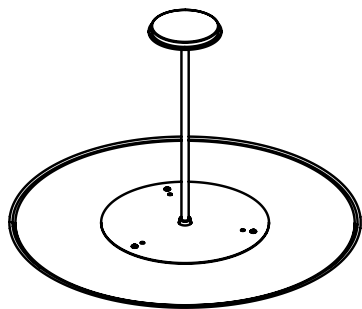


**Reflector Plain View**

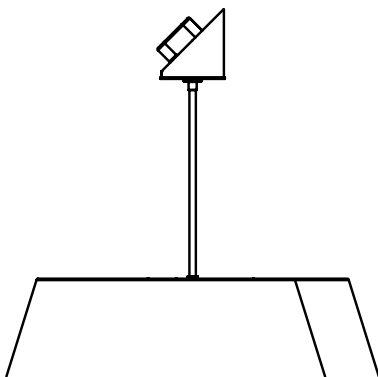


**140-36-P1S  
(SINGLE STEM)**

**OPTIONS**



**140-P - TOP COVER (TC)**



**140-P - SLOPED CEILING  
ADAPTOR (SCA)**