

CHLORIDE

Symmetry Cast Aluminum Exit

INSTALLATION AND OPERATING INSTRUCTIONS



IMPORTANT SAFEGUARDS

When using electrical equipment, basic safety precautions should always be followed, including the following:

READ AND FOLLOW ALL SAFETY INSTRUCTIONS

All servicing should be performed by qualified personnel only.

Equipment should be mounted in locations and at heights where it will not be readily subjected to tampering by unauthorized personnel.

The use of accessory equipment not recommended by the manufacturer may cause an unsafe condition.

Do not use this equipment for other than intended use.

Do not use outdoors.

Do not let supply cords touch hot surfaces.

Do not mount near gas or electric heaters.

Use caution when servicing batteries. Battery acid can cause burns to skin and eyes. If acid is spilled on skin or eyes, flush acid with fresh water and contact a physician immediately.

SAVE THESE INSTRUCTIONS

WARNING – Shut off AC power to branch circuits to which units will be connected. All wiring should be per N.E.C. Articles 501-4(b) and local codes.

To maintain warranty, equipment with batteries must be installed or placed on charge within prescribed period after shipment.

CHLORIDE

Signify North America Corporation
200 Franklin Square Drive
Somerset, NJ 08873
Phone: 855-486-2216
www.chloride-lighting.com

Signify Canada Lt./Signify Canada Ltée
281 Hillmount Road
Markham ON, Canada L6C 2S3
Phone: 800-668-9008
www.chloride-lighting.com

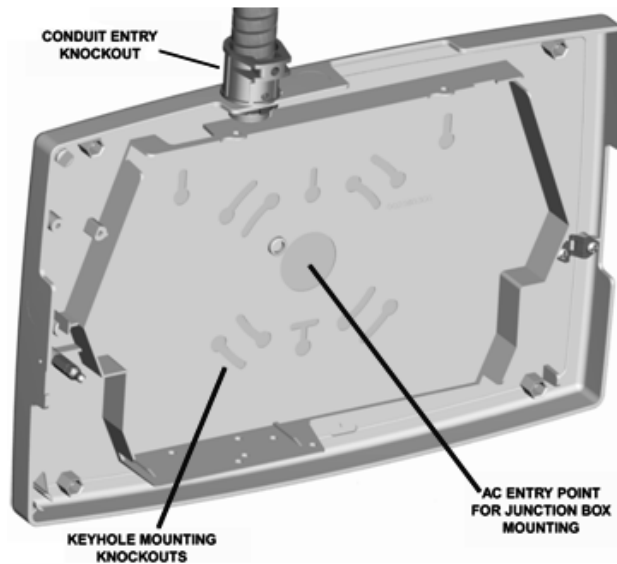
443580496221 JULY 2018

GENERAL INSTRUCTIONS



STEP 1 –

Prepare the exit for installation by removing the backplate. Prying points are provided around the perimeter of the housing to allow the use of a screwdriver as shown. Remove desired directional indicators from stencil by rolling back the colored lens and using a punch and hammer to knockout them out from the inside of the stencil. Determine desired mounting style and proceed to the appropriate “STEP 2”.



STEP 2 for Wall Mounting –

Remove keyhole knockouts for securing the backplate to the mounting surface as necessary. Keyhole knockout patterns are provided for 3-1/2” and 4” octagonal boxes, single gang boxes and widely spaced keyhole knockouts are provided for use with wall anchors (not provided). A large central knockout is provided for AC service entry or the conduit entry knockout in the upper surface of the backplate may be removed (use 1/2” flex conduit). A four pole connector assembly is provided on the stencil/electronics assembly for AC service connection. Make AC service connections according to the table below. Snap stencil/electronics assembly to backplate and refer to operating instructions section.

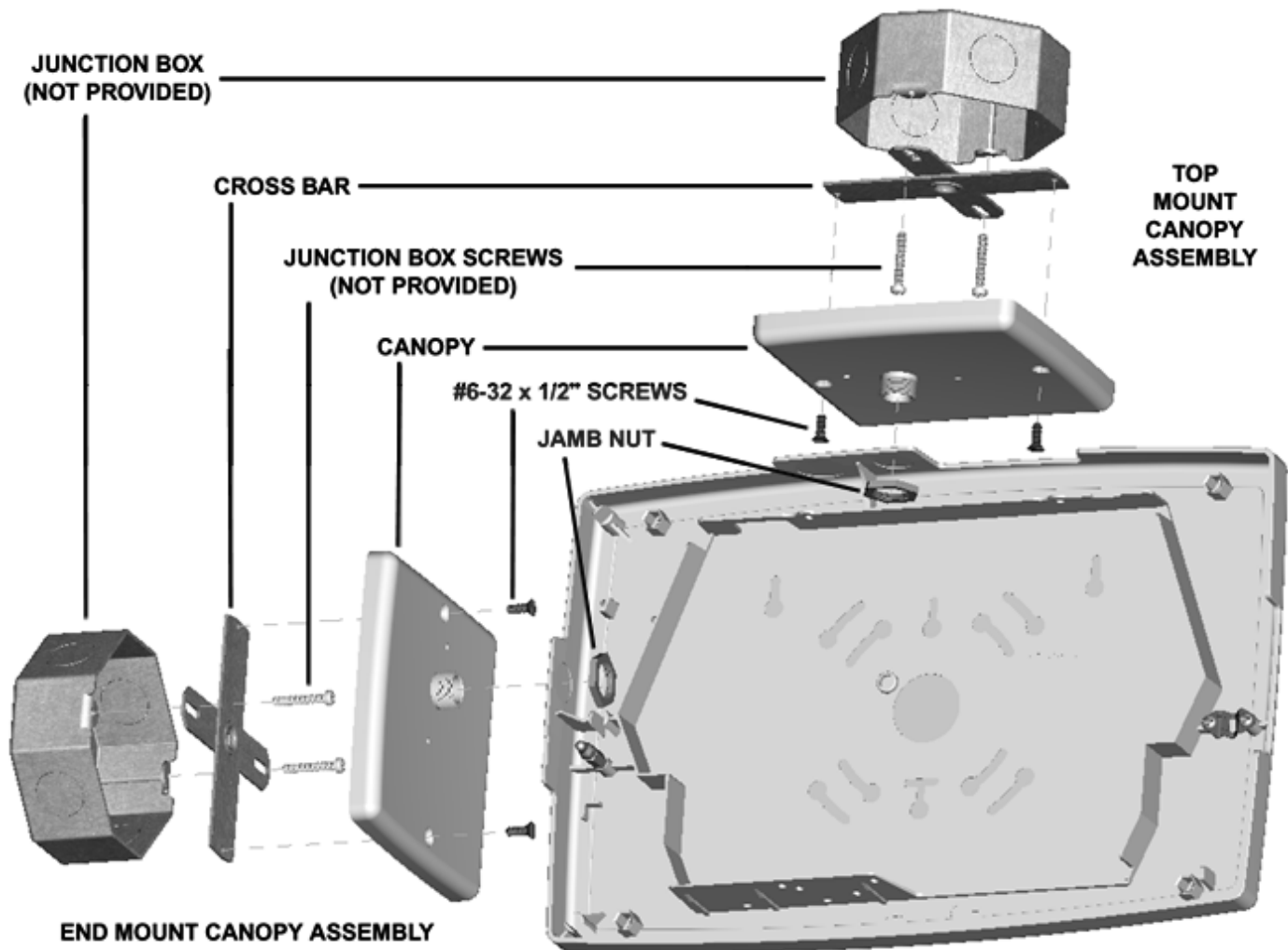
277VAC	120VAC	120VAC 2 CIRCUIT	277 VAC 2 CIRCUIT
Green Wire - Ground	Green Wire - Ground	Black Wire – 1 st 120VAC	Blue Wire – 1 st 277VAC
White Wire - Common	White Wire - Common	White Wire – 1 st Common	White Wire – 1 st Common
Black Wire – Cap Off	Black Wire – 120VAC	Orange Wire – 2 nd 120VAC	Orange Wire – 2 nd 277VAC
Blue Wire – 277VAC	Blue Wire – Cap Off	Yellow Wire - 2 nd Common	Yellow Wire – 2 nd Common
Green - Ground			
CAUTION: Unused primary wire must be capped off!			

CHLORIDE

Signify North America Corporation
 200 Franklin Square Drive
 Somerset, NJ 08873
 Phone: 855-486-2216
www.chloride-lighting.com

Signify Canada Lt./Signify Canada Ltée
 281 Hillmount Road
 Markham ON, Canada L6C 2S3
 Phone: 800-668-9008
www.chloride-lighting.com

443580496221 JULY 2018



STEP 2 for Canopy Mounting (Wall or Ceiling) –

Attach cross bar found in canopy kit to a 3-1/2” or single gang junction box. Pull the buildings AC service wiring thru the center hole in the cross bar. Fasten the canopy to the cross bar using the two #8-32 x 1/2” screws provided in the canopy kit. Pull the buildings AC service wiring thru the center hole in the canopy. Remove one of the two knockouts that are found in the side or top of the backplate or extra stencil face (use the extra stencil face for double sided “EXIT” installations – single face installation using a blank backplate is shown above). Place the resulting opening in the backplate or stencil over the threaded nipple on the canopy and thread on the jamb nut. A four pole connector assembly is provided on the stencil/electronics assembly for AC service connection. Make AC service connections according to the table below. Snap stencil/electronics assembly to backplate or extra stencil and refer to operating instructions section.

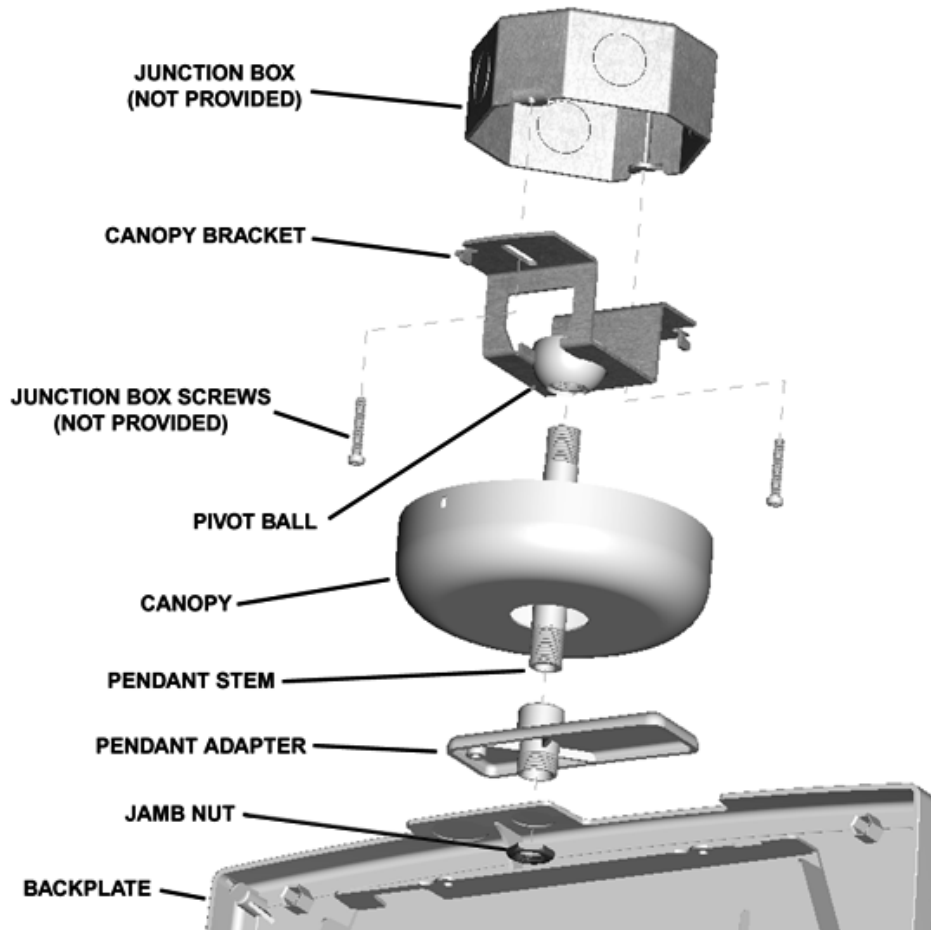
277VAC	120VAC	120VAC 2 CIRCUIT	277 VAC 2 CIRCUIT
Green Wire - Ground	Green Wire - Ground	Black Wire – 1 st 120VAC	Blue Wire – 1 st 277VAC
White Wire - Common	White Wire - Common	White Wire – 1 st Common	White Wire – 1 st Common
Black Wire – Cap Off	Black Wire – 120VAC	Orange Wire – 2 nd 120VAC	Orange Wire – 2 nd 277VAC
Blue Wire – 277VAC	Blue Wire – Cap Off	Yellow Wire – 2 nd Common	Yellow Wire – 2 nd Common
Green - Ground			
CAUTION: Unused primary wire must be capped off!			

CHLORIDE

Signify North America Corporation
 200 Franklin Square Drive
 Somerset, NJ 08873
 Phone: 855-486-2216
www.chloride-lighting.com

Signify Canada Lt./Signify Canada Ltée
 281 Hillmount Road
 Markham ON, Canada L6C 2S3
 Phone: 800-668-9008
www.chloride-lighting.com

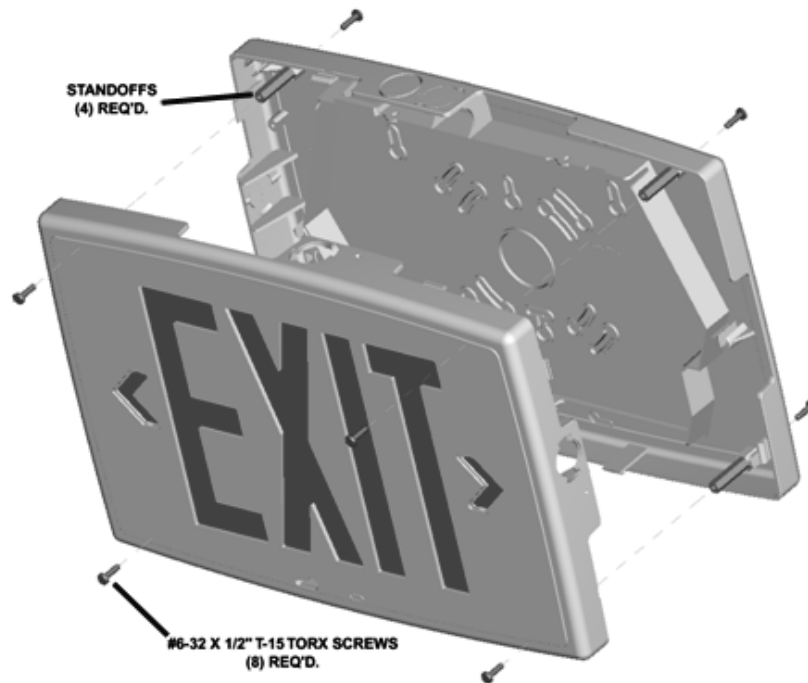
443580496221 JULY 2018



STEP 2 for Pendant Mounting –

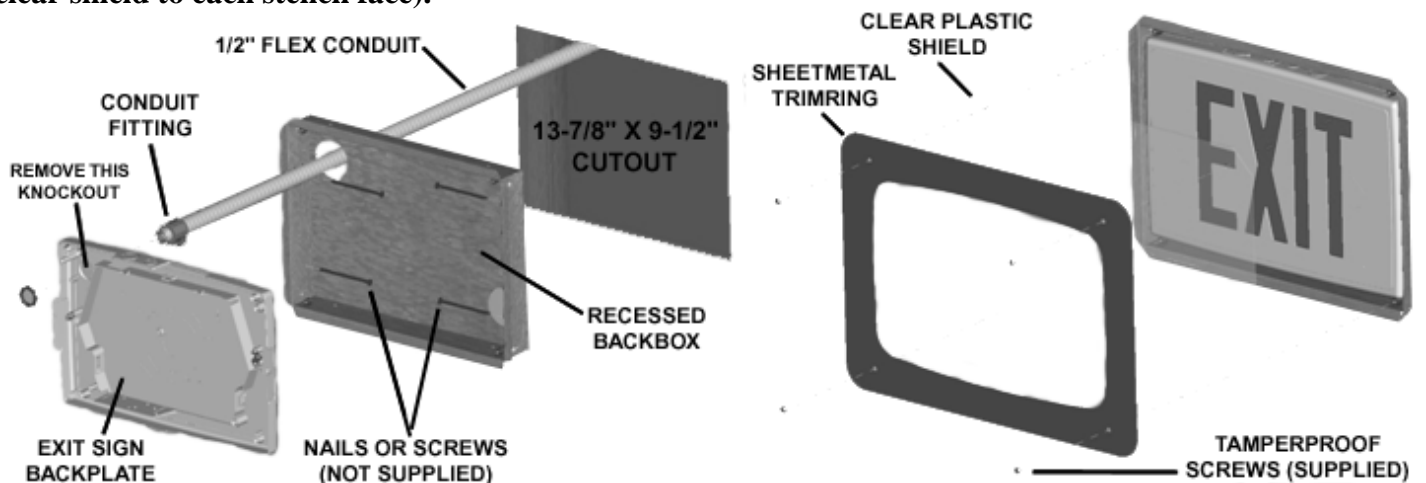
Attach canopy bracket to a 3-1/2” or 4” octagonal or single gang junction box. Screw pivot ball onto one end of the pendant stem. Feed AC supply wiring thru the pendant stem and set pivot ball into canopy bracket (note that there is a slot on the pivot ball that matches a finger on the canopy bracket. This detail prevents uncontrolled twisting of the exit sign due to breezes, impact, etc.) Slide canopy over pendant stem and snap onto the canopy bracket. Thread the jamb nut onto the end of the pendant stem followed by the pendant adapter. Remove the center knockout that is found in the top of the backplate or extra stencil face (use the extra stencil face for double sided “EXIT” installations – single face installation using the backplate is shown above). Place the resulting opening in the backplate or stencil over the threaded nipple on the pendant adapter and thread on the jamb nut. A four pole connector assembly is provided on the stencil/electronics assembly for AC service connection. Make AC service connections according to the table below. Snap stencil/electronics assembly to backplate or extra stencil and refer to operating instructions section.

277VAC	120VAC	120VAC 2 CIRCUIT	277 VAC 2 CIRCUIT
Green Wire - Ground	Green Wire - Ground	Black Wire – 1 st 120VAC	Blue Wire – 1 st 277VAC
White Wire - Common	White Wire - Common	White Wire – 1 st Common	White Wire – 1 st Common
Black Wire – Cap Off	Black Wire – 120VAC	Orange Wire – 2 nd 120VAC	Orange Wire – 2 nd 277VAC
Blue Wire – 277VAC	Blue Wire – Cap Off	Yellow Wire – 2 nd Common	Yellow Wire – 2 nd Common
Green - Ground			
CAUTION: Unused primary wire must be capped off!			



Tamperproof or Vandal Resistant Shielding Option –

Place one standoff in the provided pocket in each corner of the backplate or extra stencil. Drive a #6 tamperproof screw thru each corner and into the standoff. Follow the Step 2 appropriate for the desired mounting style. After snapping the stencil/electronics assembly to the backplate or extra stencil, drive the remaining four Torx screws thru the corners of the stencil/electronics assembly to finish the installation (if vandal resistant shield option has been ordered, use the Torx screws to also attach the clear shield to each stencil face).



Recessed Mounting Option –

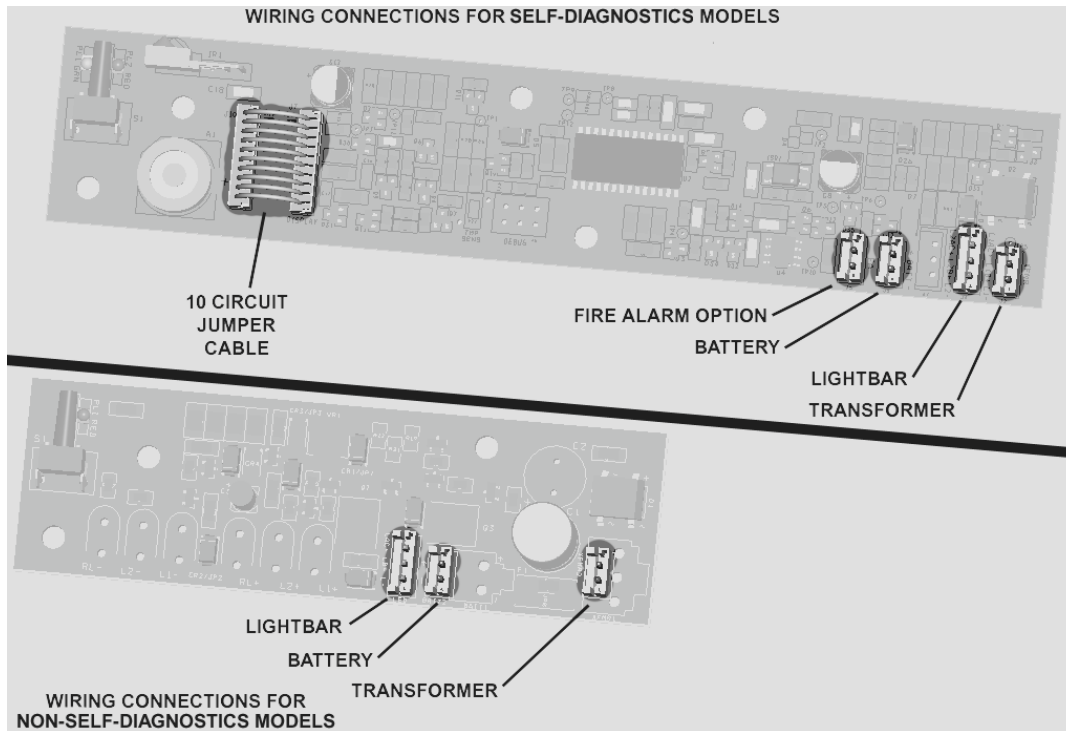
Make a 13-7/8" x 9-1/2" cutout in the mounting surface. Secure the backbox with nails or screws to the stud structure. Route 1/2" flex conduit into the upper left hole in the backbox. Remove the 7/8" diameter knockout found in the upper left corner of the backplate as shown. Secure conduit fitting thru this knockout. Place backplate in backbox and make AC service connections as noted earlier in this instruction sheet. Snap EXIT stencil with electronics to backplate. Refer to "Operating Instructions" to confirm proper operation of the product. Remove protective film from both sides of the clear plastic shield and place it over the backbox and EXIT sign assembly. Place sheetmetal trim ring over the clear plastic shield and secure both to the backbox using the supplied tamperproof Torx screws.

CHLORIDE

Signify North America Corporation
200 Franklin Square Drive
Somerset, NJ 08873
Phone: 855-486-2216
www.chloride-lighting.com

Signify Canada Lt./Signify Canada Ltée
281 Hillmount Road
Markham ON, Canada L6C 2S3
Phone: 800-668-9008
www.chloride-lighting.com

443580496221 JULY 2018



OPERATING INSTRUCTIONS

(NON-DIAGNOSTICS EQUIPPED UNITS)

(FOR SELF-DIAGNOSTICS EQUIPPED UNITS, SEE NEXT PAGE)

1. Energize AC power to the equipment and check that the test switch/pilot lamp illuminates and EXIT is illuminated.
2. Press the test switch/pilot lamp and verify that the pilot lamp turns off and EXIT remains illuminated.
3. Leave AC connected for a minimum of 24 hours before performing any extended testing. Full recharge of batteries may require one full week.

Notes:

1. This equipment is provided with a lockout feature whereby connecting battery leads prior to energizing AC power will not turn on the EXIT. After AC power is energized, the EXIT will illuminate upon AC power failure.
2. This equipment is provided with a low battery disconnect feature which prevents full discharge of the batteries. If the building is to be unoccupied for an extended period of time and AC power is shut off, the batteries should be disconnected from the charger to prevent damage.
3. The batteries provided in this equipment are sealed and require no maintenance

CHLORIDE

Signify North America Corporation
 200 Franklin Square Drive
 Somerset, NJ 08873
 Phone: 855-486-2216
www.chloride-lighting.com

Signify Canada Lt./Signify Canada Ltée
 281 Hillmount Road
 Markham ON, Canada L6C 2S3
 Phone: 800-668-9008
www.chloride-lighting.com

443580496221 JULY 2018

Self Diagnostic System Operation – Emergency Light or EXIT Sign Products

Normal Power Up Sequence

At power up the red and green LED indicators will alternately flash for one to two seconds. Next the product will execute a “Power Up Quick Test” causing the green LED indicator to flash rapidly. If any faults are detected during the “Power Up Quick Test” these will be evident by a flashing red LED indicator. If the audible diagnostic option has been ordered, the flashing red LED will be accompanied by a simultaneous beeping tone. **(Note: A continuous rapid alternating Red/Green flash with rapid beeping tone indicates 277V applied to 120V input lead. TURN OFF POWER IMMEDIATELY!)**

Emergency Operation

Emergency operation occurs when AC power fails. The product remains in emergency operation until AC power is restored or battery capacity is depleted. During emergency operation both red and green LED indicators are disabled.

User Interface

Green LED indicator

- Slow Flash/Continuous ON = AC power present; normal operating condition
- Rapid Flash = product performing an automatic or manually initiated diagnostic test

Red LED indicator

- Single Flash = battery fault
- Two Flashes = lamp failure (light bar failure – EXIT signs)
- Three Flashes = charger fault
- Four Flashes = transfer fault

(If more than one fault condition is present simultaneously, the red LED will flash the indication pattern for each fault independently then repeat the cycle.)

Pushbutton Test Switch

- Long Press (longer than 0.5sec) transfers product to emergency operation during time the button is pressed.
- Short Press initiates self diagnostic activities as follows:
 - One Press cancels diagnostic test presently running.
 - Two Presses starts a one minute diagnostic test.
 - Three Presses starts a 90 minute diagnostic test.
 - Four Presses conducts a lamp load calibration (emergency light products only).
 - Seven Presses initiates a system reset.

(Note: the microprocessor will allow up to seven, one minute diagnostic tests within the first 24 hours of operation. Allow 24 hours of charging before performing any long duration testing.)

Buzzer (optional)– Sounds in unison with the flashing red LED if a fault condition is present. Buzzer may be silenced for up to 196 hours by a short press of either the test switch or the optional IR remote control device “silence” button. Correcting fault condition will cancel fault notification. Lamp failure indication requires a manually activated diagnostic test after lamp replacement to cancel notification.






IR Remote Control (optional)- is a hand held device that allows remote activation of diagnostic testing and silencing of the optional buzzer during fault conditions.

CHLORIDE

Signify North America Corporation
200 Franklin Square Drive
Somerset, NJ 08873
Phone: 855-486-2216
www.chloride-lighting.com

Signify Canada Lt./Signify Canada Ltée
281 Hillmount Road
Markham ON, Canada L6C 2S3
Phone: 800-668-9008
www.chloride-lighting.com

443580496221 JULY 2018

 <p>SILENCE ALARM</p>  <p>1 MINUTE TEST</p>  <p>30 MINUTE TEST</p>  <p>90 MINUTE TEST</p>  <p>CANCEL</p>		<p>OPTIONAL REMOTE CONTROL</p> <p>Front</p> <p>Press appropriate button to perform the indicated test or silence the audible alarm.</p> <p>Cancel stops any test currently in process.</p>
<div style="border: 1px solid black; padding: 5px;"> <p>System Reset: Two presses of "SILENCE ALARM" button followed by two presses of "CANCEL" button.</p> <p>Interpretation of flashing indicator lights on Equipment:</p> <p>Green LED Indicator:</p> <ul style="list-style-type: none"> • Steady On - Normal • Slow Flash - Battery Charging • Fast Flash - Unit is self-testing <p>Red LED Indicator:</p> <ul style="list-style-type: none"> • Single Flash - Battery Fault • Double Flash - Lamp Failure • Triple Flash - Charger Fault • Quad Flash - Emergency Transfer Failure <p>Red and Green LED Indicators flashing together:</p> <ul style="list-style-type: none"> • Slow Flashing - Low Line Voltage • Fast Flashing - High Line Voltage <p>Unit Equipment Lamp Calibration</p> <p>Press "Silence Alarm" twice followed by one press of "Cancel" and one press of "Silence Alarm"</p> <p>For Service Call (910)259-1000</p> </div>		<p>Back</p> <p>Explanation of indicator light flash sequences.</p> <p>Refer to Table 2 above for further information.</p>