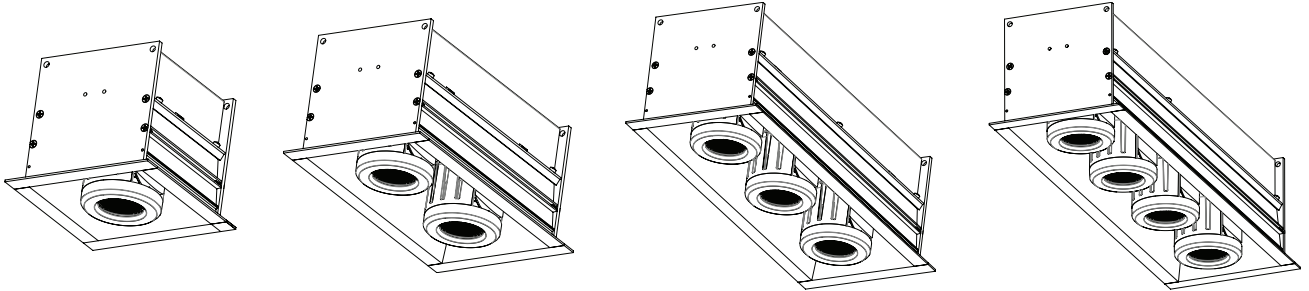


## RSA-MRZ Installation Instructions



**IMPORTANT:** Read carefully before installing fixture. Retain for future reference.

---

**⚠ WARNING**

---

**Risk of Electric Shock – Disconnect power at fuse or circuit breaker before installing or servicing.**

---

**⚠ WARNING**

---

**Risk of Fire/Electric Shock. If not qualified, consult an electrician.**

---

**⚠ WARNING**

---

**Proper grounding is required to ensure personal safety.**

---

**⚠ WARNING**

---

**Risk of burn – Use protective gear to ensure personal safety.**

**Note:** This product must be installed in accordance with the applicable installation code by a certified electrician, familiar with the construction and operation of the product and hazard involved.

**Note:** To prevent possible wiring damage, do not expose wiring to edges of sheet metal or other sharp objects.

**Note:** Fixture in compliance with UL 1598 and UL 8750.

**Note:** MAX ambient temperature 25°C for all small fixtures.

**Note:** All electrical wire from junction box to fixture is to be provided by others.

**Note:** Ensure mounting surface's can support fixture assembly.

**Note:** Ensure all screws are torqued to proper settings.

**Note:** This product must be installed in accordance with applicable installation code and the hazards involved.

**Battery Section:**

- This luminaire is provided with a factory installed emergency lighting pack and must be serviced by a person familiar operation of the product and the hazards involved.
- Danger – Risk of shock.
- Disconnect all power and disable the battery pack power before servicing. LED Driver replacement requires re-connection of wires that may be energized.

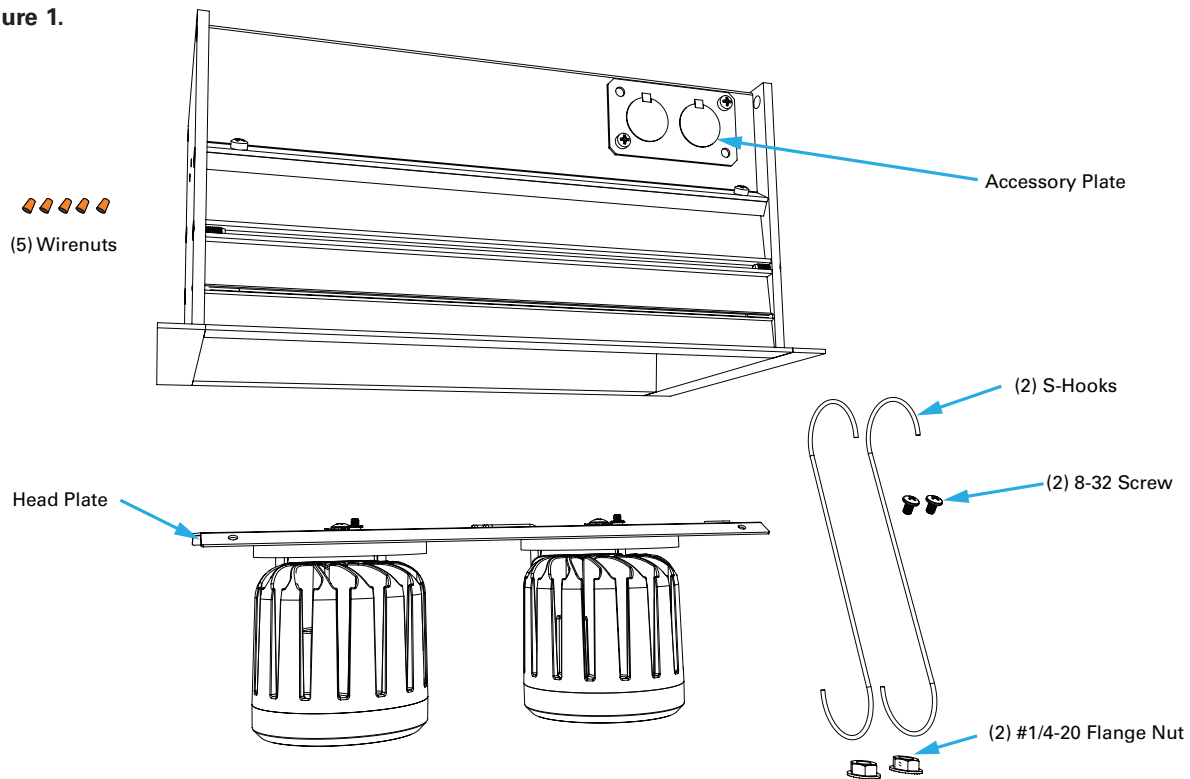
**Description:** The RSA-MRZ is a single and multi-head, recessed group of products with integral LED dedicated head / heads. Options include: flanged or mud-in trim, varied LED color temperatures, lumen packages, CRI, paint finishes, and optics are available. Each fixture head / heads tilt 45 deg with 365 deg rotation. Accessories available include: different shielding media, Chicago plenum, and remote mounted battery pack. The RSA-MRZ also has two available controls platforms, LumaWatt Pro and WaveLinX.

## INSTALLATION

### Flanged Housing

1. Unpack RSA-MRZ fixture and ensure that all parts are included. (Figure 1)

Figure 1.



### Sheet Rock/ Grid – Ceiling Tile

Cut hole in ceiling or ceiling tile per cutout chart below:

	1 Head	Cut	1 Head (sensor)	Cut	2 Head		2 Head (sensor)	Cut
Length	5.63	5.88	7.03	7.28	10.91	11.16	12.31	12.56
Flange Length	6.67		7.97		11.95		13.25	
Width	5.82	6.07	5.82	6.07	5.82	6.07	5.82	6.07
Flange Width	6.64		6.64		6.64		6.64	

	3 Head	Cut	3 Head (sensor)	Cut	4 Head	Cut	4 Head (sensor)
Length	16.16	16.41	17.56	17.81	21.41	21.66	22.81
Flange Length	17.20		18.50		22.45		23.75
Width	5.82	6.07	5.82	6.07	5.82	6.07	5.82
Flange Width	6.64		6.64		6.64		6.64

**Mounting with 1/4-20 Threaded Rod (All Thread)**

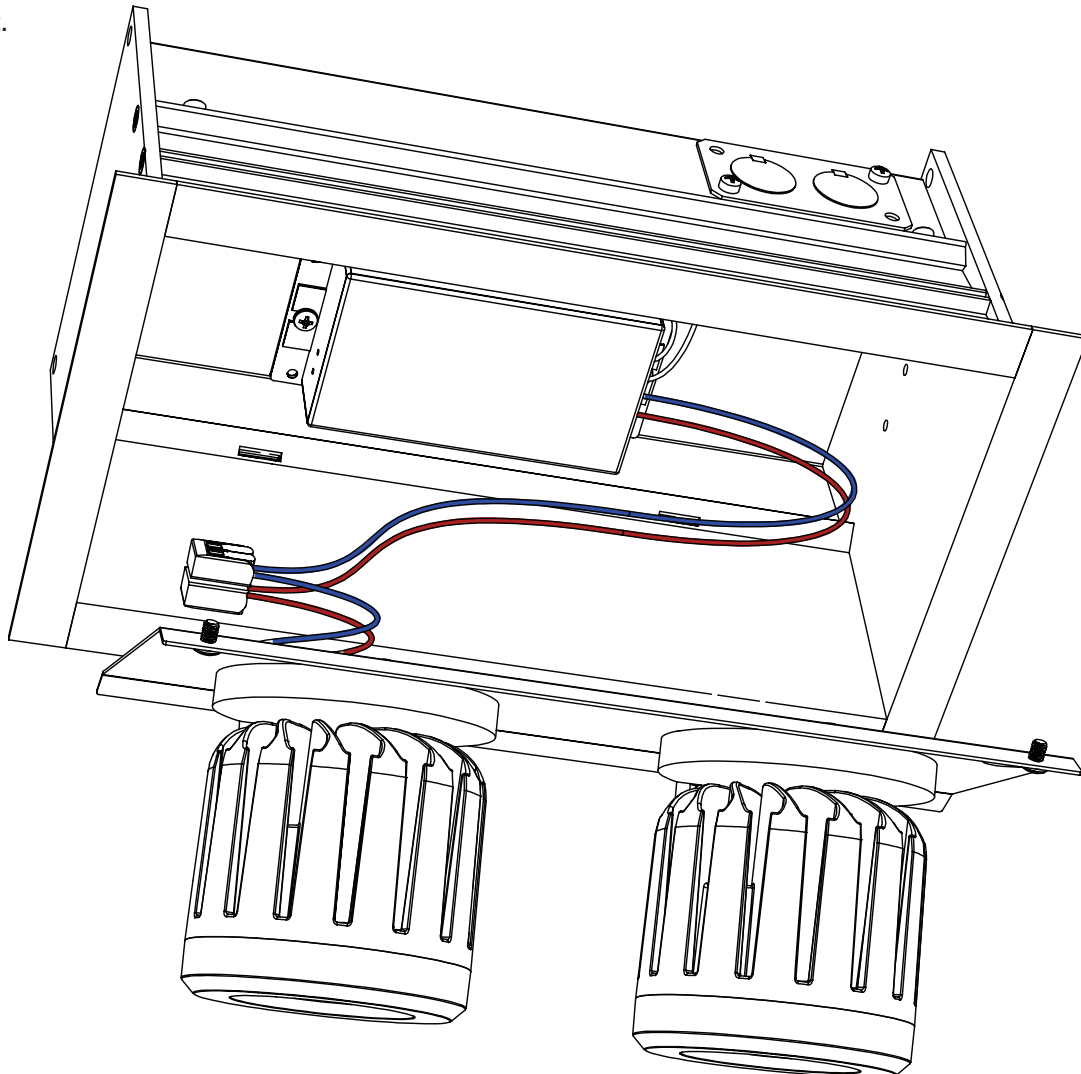
Options for threaded rod: Unistrut, Hanger Bars, Metal Bar Hanger

Space 1/4-20 threaded rod to line up with the knockouts on top of the fixture housing per distance(s) provided below.

	1 Head	2 Head	3 Head	4 Head	5 Head	6 Head
Distance Between Holes	3.53	8.78	14.03	19.28	24.53	29.78
Distance Holes off Center	1.338	0	0	0	0	0
Distance From End	1.063	1.063	1.063	1.063	1.063	1.063
Distance From End - Sensor End	2.463	2.463	2.463	2.463	2.463	2.463

- Remove Fixture Head Plate and set the #8-32 screws aside to be used again. Disconnect low voltage Red and Blue wires at the WAGO connector junction located midway between the LED driver and fixture head mounting plate. (Figure 2)

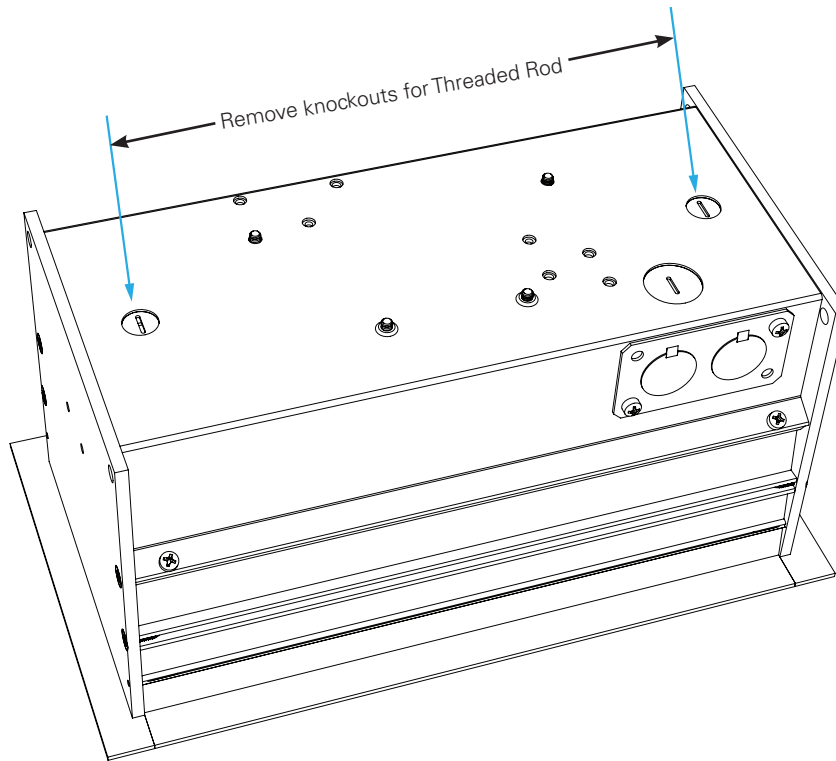
**Figure 2.**



## RSA-MRZ Installation Instructions

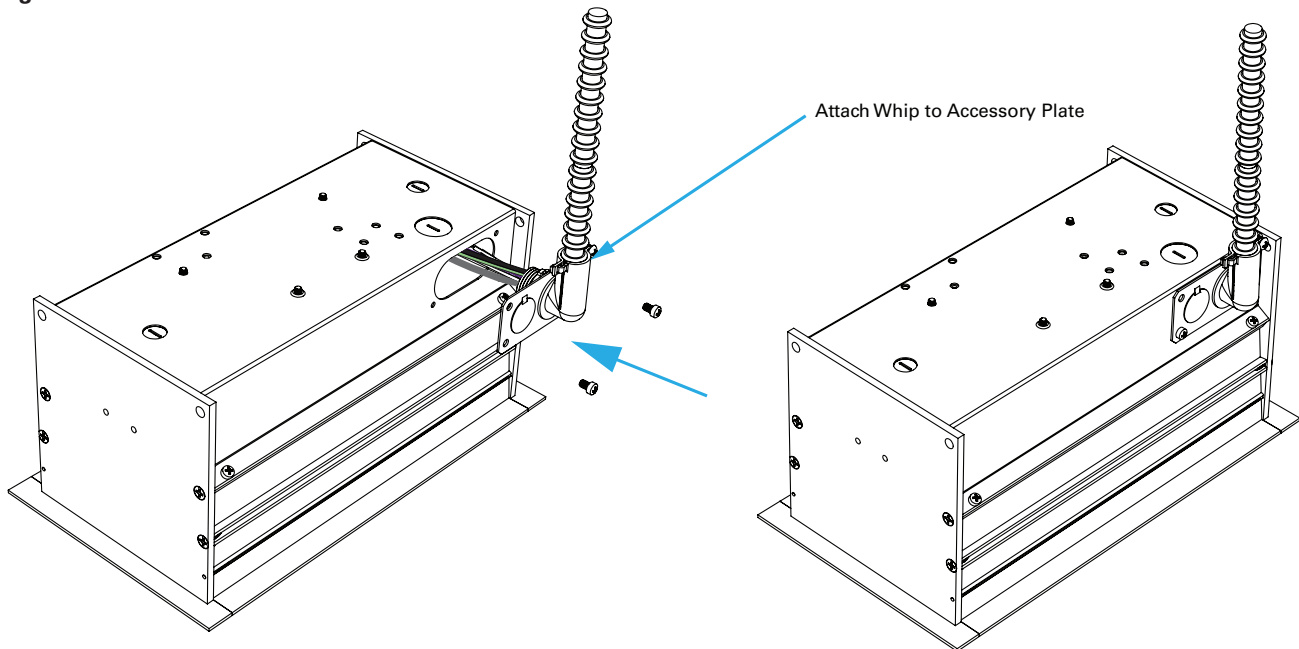
3. Remove both ½" (0.5") knockouts from the top of the housing for threaded rod installation. (Figure 3)

**Figure 3.**



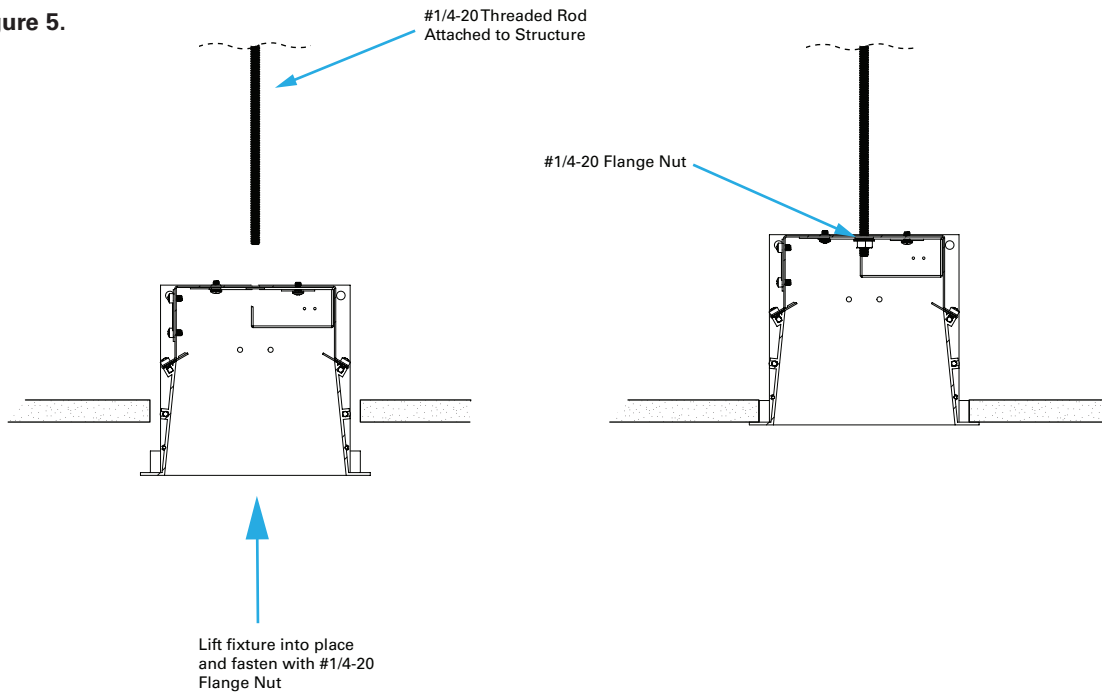
4. Power wires can be pulled through the power access plate. (Figure 4)

**Figure 4.**



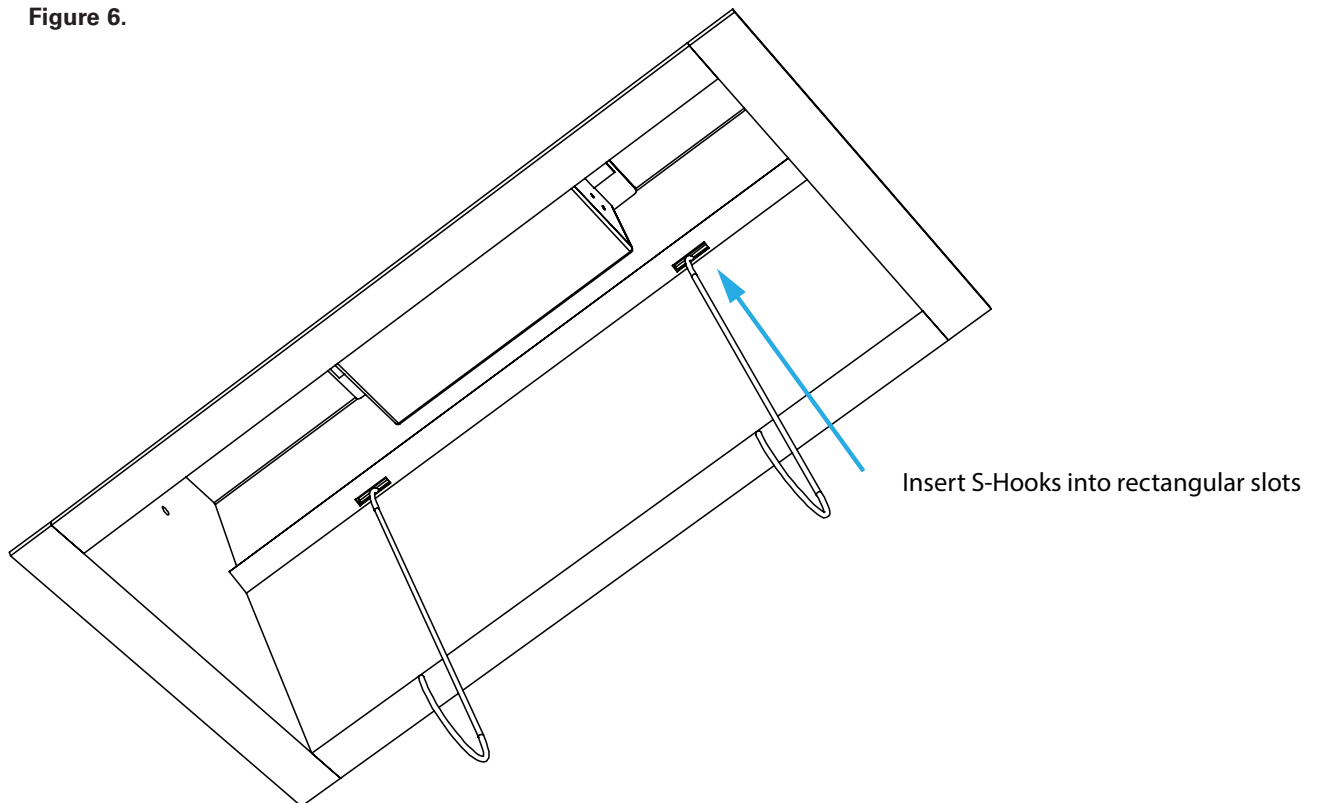
5. Raise fixture housing into ceiling so the threaded rod feeds into the knockout holes. Make sure the flanges of the fixture housing are pulled tightly against the ceiling using the 1/4-20 flange nuts on the threaded rod inside the housing. (Figure 5)

**Figure 5.**



6. Use the "S" Hooks provided to attach through the rectangular slots on the non-power side of the housing. (Figure 6)

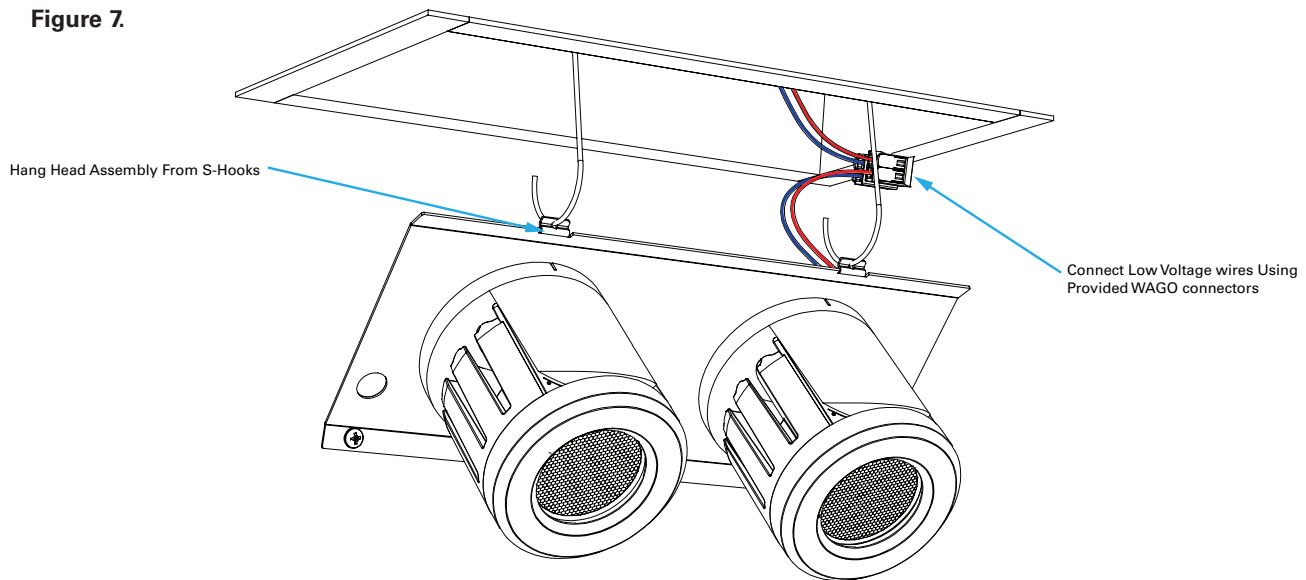
**Figure 6.**



# RSA-MRZ Installation Instructions

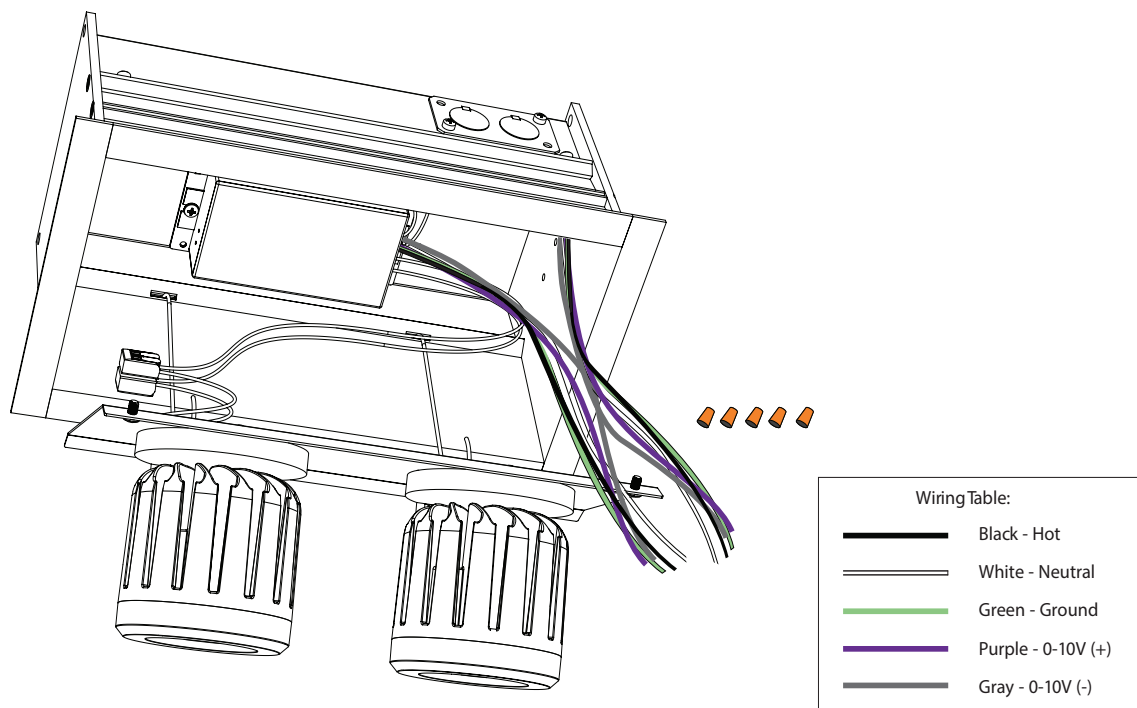
- Lift the Fixture Head Plate up to the "S" Hooks and attach through the slots on the small flanges. (Figure 7)

**Figure 7.**



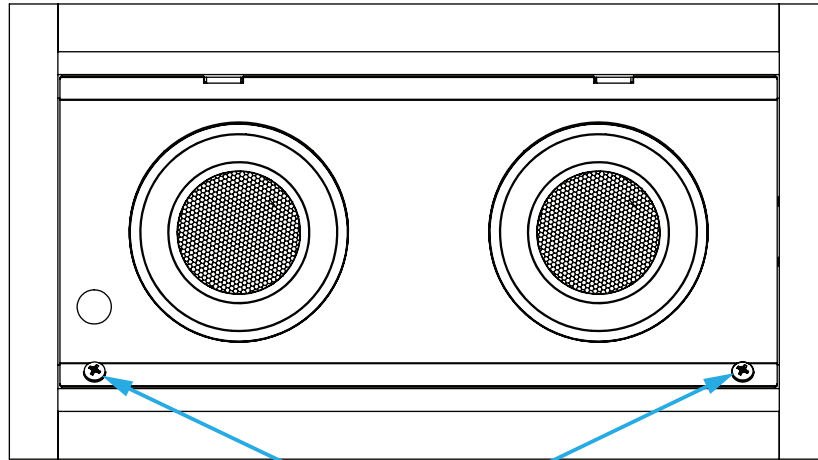
- Reconnect the Red and Blue low voltage wires into the provided Wago connectors. Connect the hot, neutral, ground, purple (0-10V (+)), and gray (0-10V(-)) wires from fixture side to power feed side using wire nuts provided - minimize the lengths of wires being pushed back into the wire compartment, cut and strip wires to a shorter length if necessary. (Figure 8)

**Figure 8.**



- 8a. Remove "S" Hooks while supporting Fixture Head Plate. Move the Fixture Head Plate into the housing, inserting the small flanges into the rectangular slots at a slight angle. Ensure wires do not get pinched along the edges of the plate and tilt up. Install the 8-32 screws. (Figure 8A)

Figure 8A.

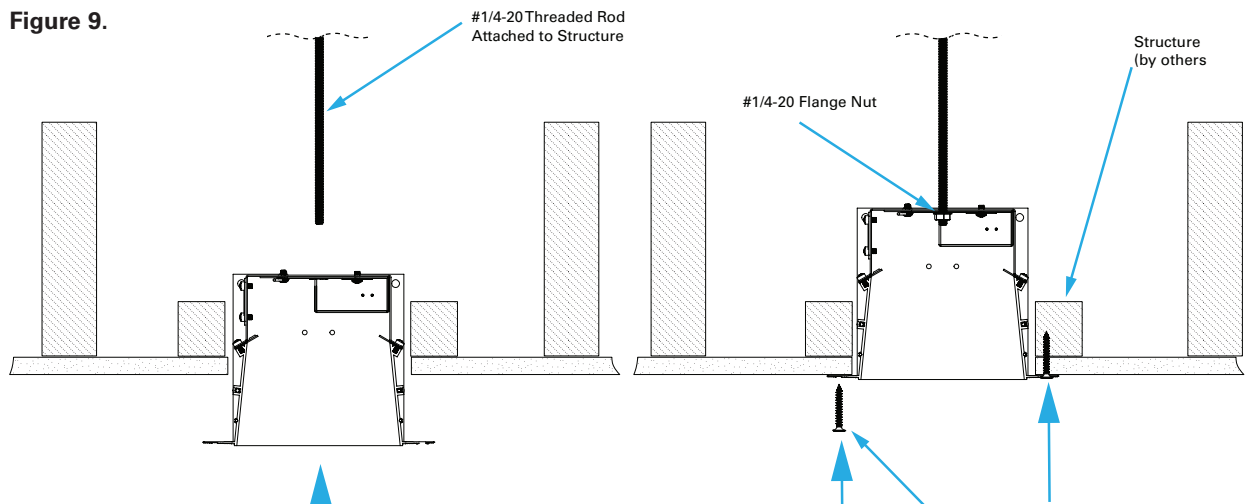


Re-attach Head Plate using provided 8-32 thread forming screws

### Mud In/ Gypsum/ Sheet Rock – Housing

9. Follow steps 1 through 4 from Flange Version above. Mounting shown (Figure 9, 9.a, 9.b)

Figure 9.

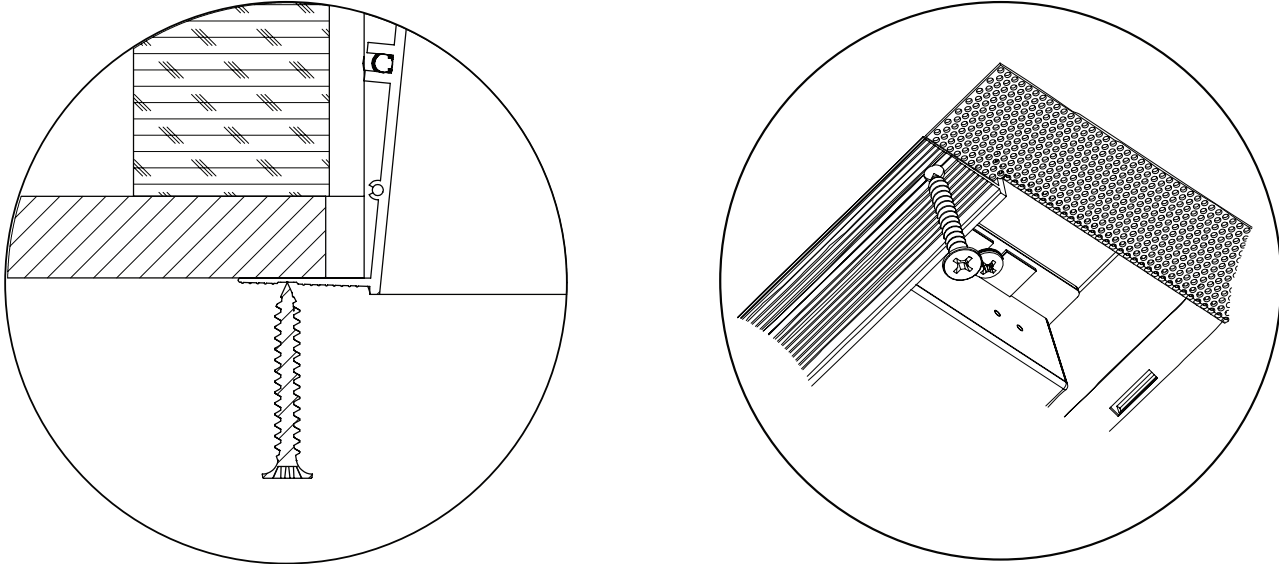


Raise fixture housing into ceiling so the threaded rod feeds into the knockout holes. Make sure the flanges of the fixture housing are pulled tightly against the ceiling using the 1/4-20 flange nuts on the threaded rod inside the housing.

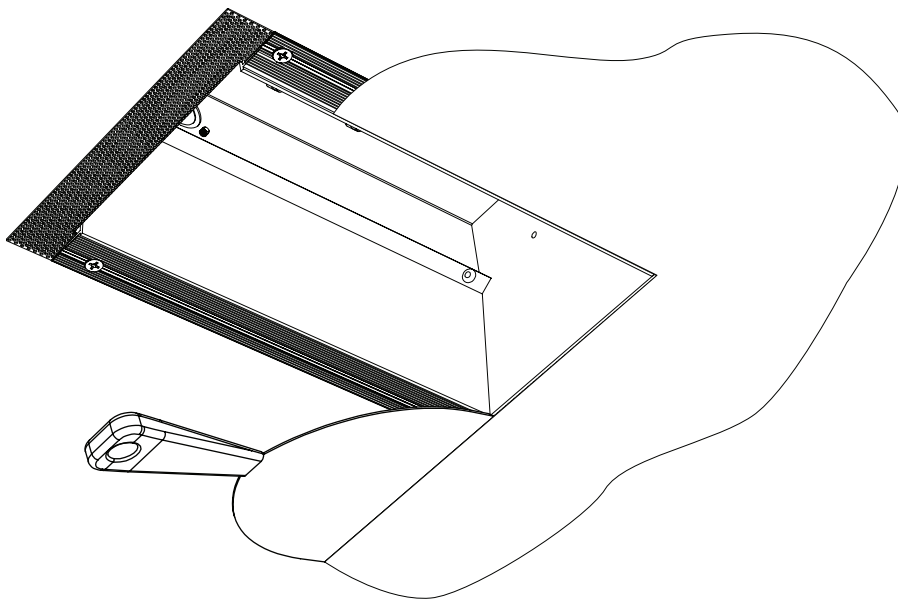
## RSA-MRZ Installation Instructions

9.a. Drill pilot holes through mud in flange along the side of the fixture as shown in figure 9.a. One screw every 4 inches is recommended on each side of the fixture.

**Figure 9.a**



9.b. To finish - apply a generous amount of joint compound to fixture flange and "feather" at least 12" from fixture aperture. mud in up to the trim, around the edge of the fixture

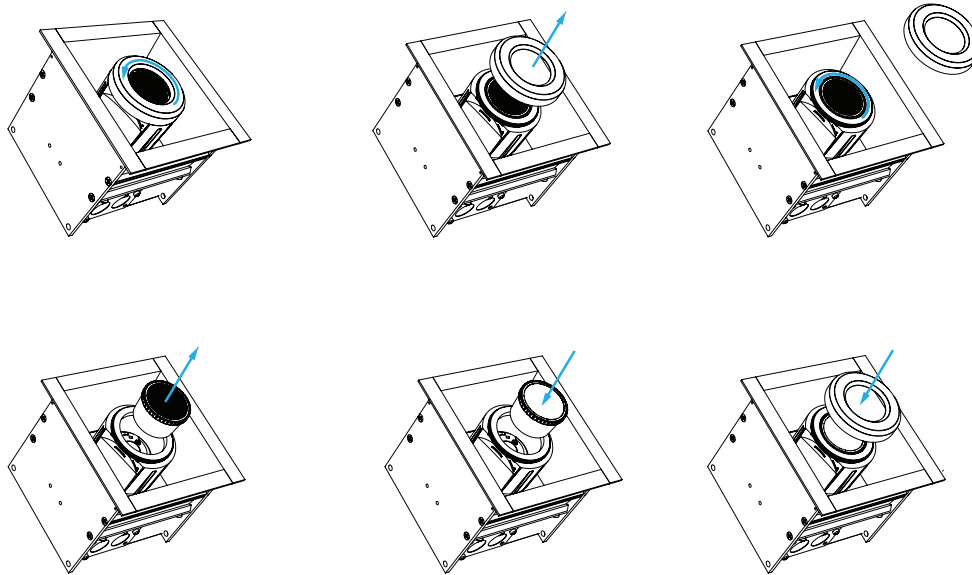




## Replacing Optics

10. Using both thumbs, put pressure on the optic as you rotate it  $\frac{1}{4}$  turn. (Figure 10)

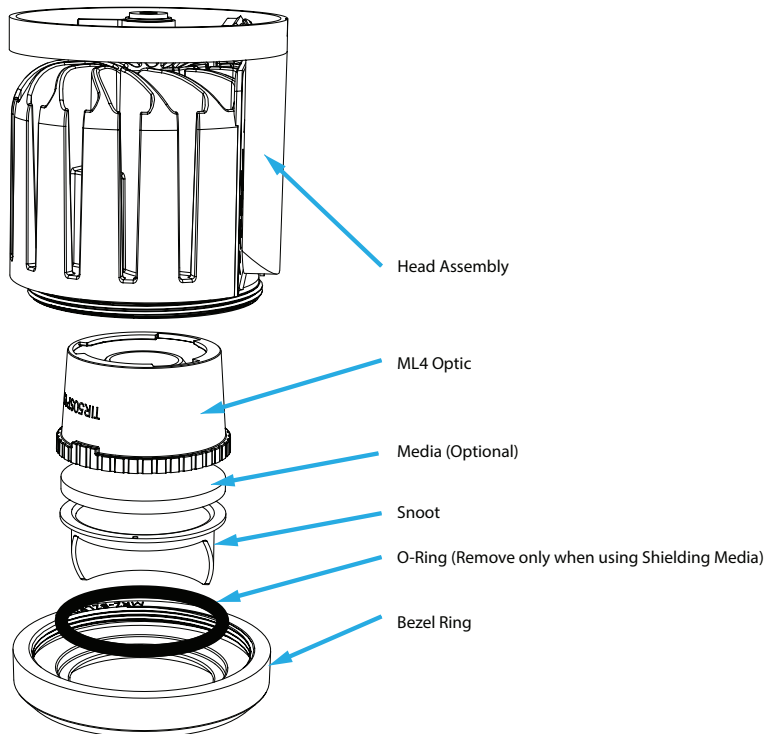
Figure 10.



## Snoot & Media Replacement

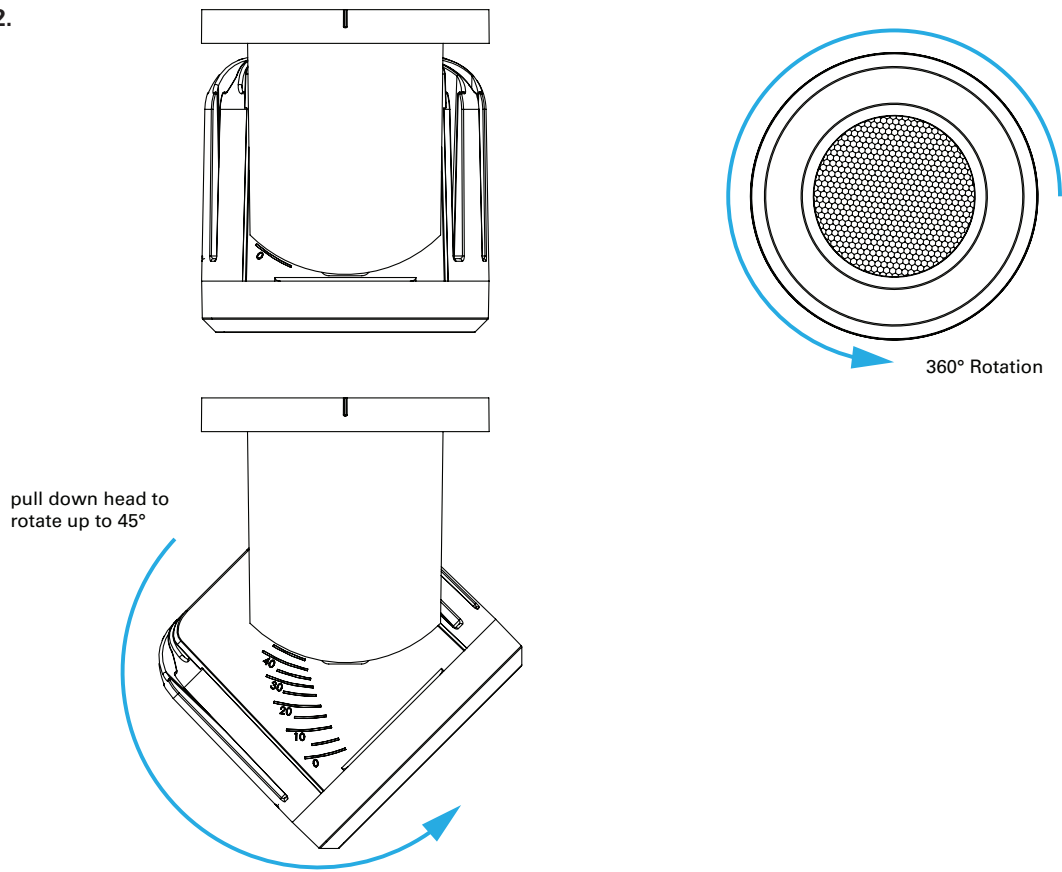
11. Remove O-Ring if using Shielding Media, otherwise Leave O-Ring to hold Snoot in place. (Figure 11)

Figure 11.

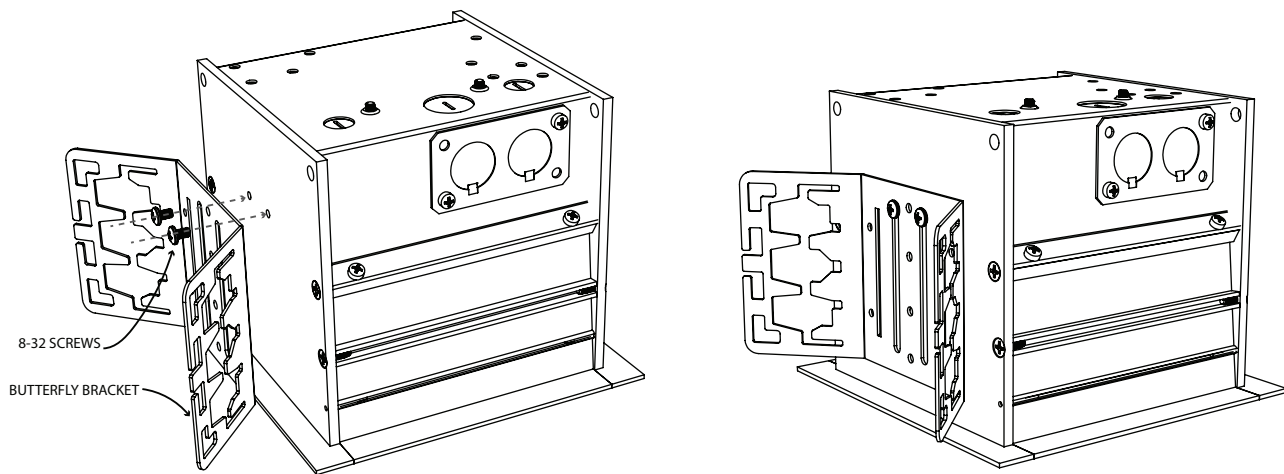


## Head Rotation

Figure 12.



## Butterfly Bracket Attachment (Option)



## Warranties and Limitation of Liability

Please refer to [www.cooperlighting.com](http://www.cooperlighting.com) for our terms and conditions.

## Garanties et limitation de responsabilité

Veillez consulter le site [www.cooperlighting.com](http://www.cooperlighting.com) pour obtenir les conditions générales.

## Garantías y Limitación de Responsabilidad

Visite [www.cooperlighting.com](http://www.cooperlighting.com) para conocer nuestros términos y condiciones.

**Cooper Lighting Solutions**  
1121 Highway 74 South  
Peachtree City, GA 30269  
P: 770-486-4800  
[www.cooperlighting.com](http://www.cooperlighting.com)

© 2020 Cooper Lighting Solutions  
All Rights Reserved  
Printed in USA  
Imprimé aux États-Unis  
Impreso en los EE. UU.  
Publication No. IL511001EN  
February 7, 2018

Cooper Lighting Solutions is a registered trademark. All trademarks are property of their respective owners.

Cooper Lighting Solutions est une marque de commerce déposée. Toutes les autres marques de commerce sont la propriété de leur propriétaire respectif.

Cooper Lighting Solutions es una marca comercial registrada. Todas las marcas comerciales son propiedad de sus respectivos propietarios.

Product availability, specifications, and compliances are subject to change without notice

La disponibilité du produit, les spécifications et les conformités peuvent être modifiées sans préavis

La disponibilidad de productos, las especificaciones y los cumplimientos están sujetos a cambio sin previo aviso