

# CHLORIDE

by Signify



## Exit/Emergency

Rhyno series

Polycarbonate NEMA unit



Project: \_\_\_\_\_  
 Location: \_\_\_\_\_  
 Cat.No: \_\_\_\_\_  
 Type: \_\_\_\_\_  
 Lamps: \_\_\_\_\_ Qty: \_\_\_\_\_  
 Notes: \_\_\_\_\_

### Example: RN65PA2IC

RN		Lamp Designator			IC		
Series	Capacity				Lamp Head Qty	Model Designator	
RN - Rhyno Series Industrial Emergency Lighting Fixture	2 - 25 W 5 - 50 W 7 - 75 W 1 - 100 W <sup>1</sup> 12 - 125 W <sup>2</sup> 15 - 150 W <sup>3</sup>	12V, LED PAR 36			0 - No Heads 2 - Two Heads	IC - Intelli-Charge Diagnostics	Options
<b>Battery Voltage</b>	<b>Environment***</b>	6 V, PAR 36 Sealed Beam Tungsten	12 V, PAR 36 Sealed Beam Tungsten	24 V, PAR 36 Sealed Beam Tungsten			A - Ammeter ACF1 - 120 V AC Input Fuse ACF2 - 277 V AC Input Fuse ACPI - 120 V AC Disconnect Switch ACP2 - 277 V AC Disconnect Switch BDS - Battery Disconnect Switch EX - Special Input Transformer <sup>2</sup> (specify voltage & frequency) T - Self-Testing Diagnostics (non-audible) TA - Audible Self-Testing Diagnostics TD - Time Delay V - Voltmeter
6 - 6 V DC 2 - 12 V DC 4 - 24 V DC <sup>1</sup>	See Capacity & Environment for Limited Availability*** Blank - Wet Location Listed (0°C to 40°C) C - Cold Ambient Conditions, Wet Location Listed (-40°C to 40°C) H - High Ambient Conditions, Wet Location Listed (0°C to 55°C) E - Extreme Ambient Conditions, Wet Location Listed (-40°C to 55°C)	PA - 8 W PB - 18 W PC - 25 W PD - 30 W	PE - 12 W PF - 18 W PG - 25 W PH - 30 W	PO - 50 W			
		6 V, PAR 36 Sealed Beam Halogen	12 V, PAR 36 Sealed Beam Halogen		PI - 8 W PJ - 12 W PP - 20 W	PK - 8 W PL - 12 W PM - 37 W PN - 50 W	

**\*\*\*CAPACITY & ENVIRONMENT SELECTION**  
 C - 12 V, 100 W; 12 V, 125 W; 12 V, 150 W  
 H - 6 V, 50 W; 12 V, 50 W; 12 V, 100 W; 12 V, 125 W; 12 V, 150 W  
 E - 6 V, 50 W; 12 V, 50 W; 12 V, 100 W; 12 V, 125 W; 12 V, 150 W

All other configurations are standard wet location listed from 0°C to 40°C.

### Accessories<sup>4</sup> (Order Separately)

ICIR - Intelli-Charge Infra-Red Remote  
 NUMK - Universal Mounting Kit (column, pole, I-beam)  
 Compatible with 2, 8 watt remote lamp heads (note: appropriate unit capacity required).

### Footnotes

- <sup>1</sup> 24 V systems only available in 100 W configurations.
- <sup>2</sup> Certain option combinations may impact UL listing, consult factory.
- <sup>3</sup> 125 and 150 W units available in 12 VDC configurations only.
- <sup>4</sup> Consult Signify to confirm whether specific accessories are BAA-compliant.



# RN Rhyno series polycarbonate NEMA unit

25W-150W

## options

- A – The ammeter option includes an analog meter electrically connected to the charging circuit for visual reference and indication of the current level being delivered to the battery.
- ACF1 – The AC fuse option includes an in-line fuse on the primary winding of the input transformer for additional electronic protection against utility surges or spikes limited to 120 VAC circuits.
- ACF2 – The AC fuse option includes an in-line fuse on the primary winding of the input transformer for additional electronic protection against utility surges or spikes limited to 277 VAC circuits.
- ACP1 – The AC power switch option includes a toggle switch electrically connected to the primary of the input transformer limited to 120 VAC circuits. This option allows for opening the utility feed to the equipment for servicing or maintenance.
- ACP2 – The AC power switch option includes a toggle switch electrically connected to the primary of the input transformer limited to 277 VAC circuits. This option allows for opening the utility feed to the equipment for servicing or maintenance.
- BDS – The battery disconnect switch allows for the electrical switching between the battery and the connected load (lamp heads) whether they be directly mounted to the equipment or installed as remote lamp heads. The switch will be located internally to the equipment and is not made accessible other than to those who perform maintenance on the equipment.
- EX – The special input transformer option allows for input voltage and frequencies beyond the standard 120/277 VAC, 60 Hz input.
- T – The self-testing option enables a periodic self-test of the equipment where a test routine is established to perform a one-minute test every thirty days with a 30-minute test performed on the sixth and twelfth month in accordance with NFPA 101. Equipment readiness faults are indicated with a visual LED display.
- TA – The audible self-testing option enables a periodic self-test of the equipment where a test routine is established to perform a one-minute test every thirty days with a 30-minute test performed on the sixth and twelfth month in accordance with NFPA 101. Equipment readiness faults are indicated with a visual LED display and an audible alarm.
- TD – The time delay circuit causes the emergency lighting equipment to remain under battery power for a period of 15 minutes after the utility power has been restored.
- V – The voltmeter option includes an analog meter electrically connected between the battery and lamp load for visual reference and indication of the battery terminal voltage when the equipment is operating in the emergency mode.

## codes and standards

- UL listed to Standard 924
- UL wet location listed
- IBC, BOCA, and OSHA illumination standard
- NFPA 101 (Life Safety Code)
- NFPA 70 (National Electric Code)
- NSF Standard 2 “Splash Zone”
- NEMA 250 (NEMA 4X classification)
- IEC 61951-1 Life Testing (NiCad batteries)
- IEC 529 (60529) IP66

## construction

- Constructed of impact resistant Lexan® with corrosion resistant hardware.
- A one piece, molded gasket, and unexposed metallic hardware prolong product life in highly corrosive areas.
- A hinged, removable cover allows for hands-free wiring.

## installation

- The Rhyno is supplied standard with a wall mount bracket.
- A universal mounting kit for column, pole, or I-beam mounting is available as an accessory item.

## electronics

- 120/277 VAC dual voltage input with surge protection is standard on all models.
- Self powered models feature the Intelli-Charge circuit where the charging system is microprocessor driven with software embedded diagnostic routine and temperature compensation.
- Self powered models include brownout detection, AC lockout, low voltage disconnect, AC power indicator, charge status indicator, audible user-interface controls, visual LED system fault indicator, and tactile push-to-test switch.
- Additional equipment safety features include reverse battery polarity detection and protection, and reverse utility power detection and protection.
- All self-powered models include an on board IR receiver for use with the optional hand held remote (ICIR).

- (optional self-testing electronics) The diagnostic/charging platform with optional self-testing mode automatically runs a one minute self-test every once a month and a 30 minute test on the sixth and twelfth month in accordance with NFPA 101.
- A one minute or 90 minute test may be initiated via the push to test switch on the unit or by activating the appropriate test command on the optional IR test device.
- Standard wet location listed: 32°F (0°C) to 104°F (40°C).
- ‘C’ – cold ambient, wet location listed: -40°F (-40°C) to 104°F (40°C).
- ‘H’ – high ambient, wet location listed: 32°F (0°C) to 131°F (55°C).
- ‘E’ – extreme ambient, wet location listed: -40°F (-40°C) to 131°F (55°C).
- Power Consumption  
6 V and 12 V, standard and ‘H’ – high ambient units: (120 VAC) 0.319 A, (277 VAC) 0.142 A.  
6 V and 12 V, ‘C’ – cold ambient and ‘E’ – extreme ambient units: (120 VAC) 0.683 A, (277 VAC) 0.305 A.  
24 V models: (120 VAC) 0.507 A, (277 VAC) 0.227 A.

## lamps

- Illumination is accomplished with two lamp heads internally mounted on the bottom of the unit for optimum path of egress illumination.
- Lamps are held in a molded swivel assembly and are fully adjustable.

## battery

- Maintenance free sealed lead calcium, pure lead, and nickel cadmium batteries available.
- Provides a minimum of 90 minutes of emergency power at the lowest rated temperature of the model selected without de-rating the fixture.

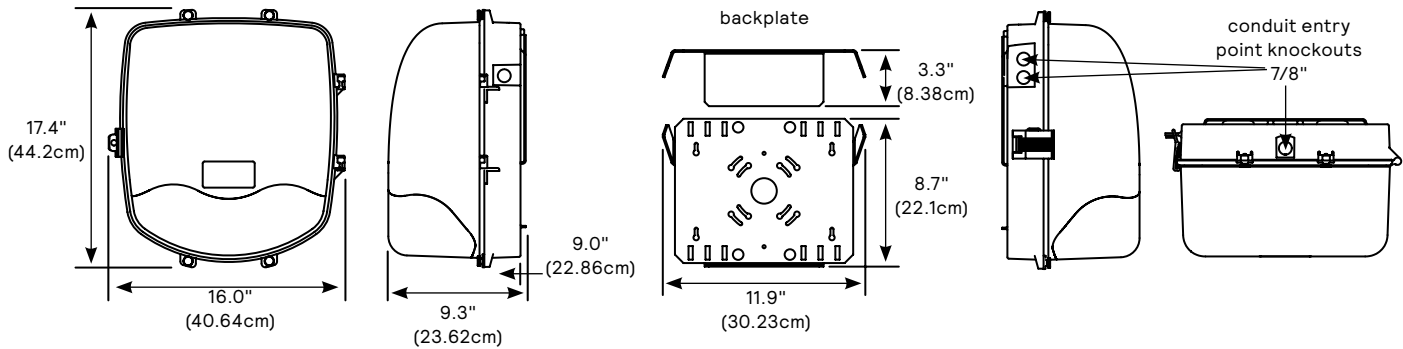
## warranty

- Five full year warranty on electronics and unit (excluding lamps).

# RN Rhyno series polycarbonate NEMA unit

25W-150W

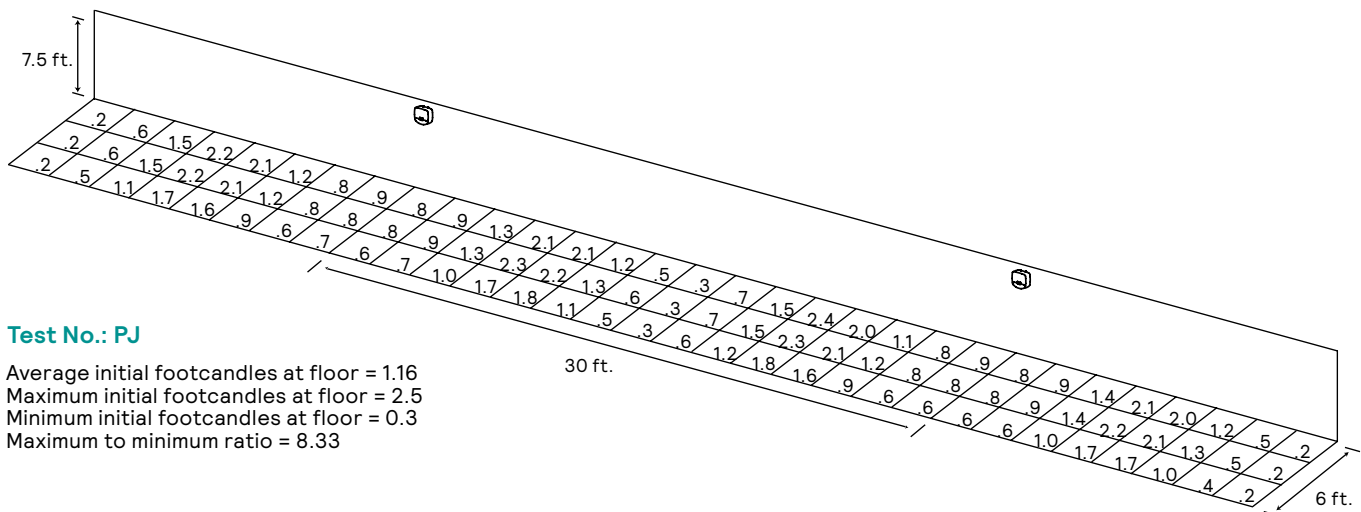
## dimensions



## performance

Meets Life Safety Code illumination standard; average of 1.0 FC, no point less than 0.1 FC, max to min ratio of 40:1. Assumes open space with no obstructions, mounting height: 7.5' and reflectances: 80/50/20. Analysis based on independently tested photometrics.

Wall Mounted 7.5' AFF, 6 V 12 W Halogen Lamp Heads Represented  
1 FC Average



## Test No.: PJ

Average initial footcandles at floor = 1.16  
Maximum initial footcandles at floor = 2.5  
Minimum initial footcandles at floor = 0.3  
Maximum to minimum ratio = 8.33

## Buy American Act of 1933 (BAA):

This product is manufactured in one of our US factories and, as of the date of this document, this product was considered a commercially available off-the-shelf (COTS) item meeting the requirements of the BAA. This BAA designation hereunder does not address (i) the applicability of, or availability of a waiver under, the Trade Agreements Act, or (ii) the "Buy America" domestic content requirements imposed on states, localities, and other non-federal entities as a condition of receiving funds administered by the Department of Transportation or other federal agencies. Prior to ordering, please visit [www.signify.com/baa](http://www.signify.com/baa) to view a current list of BAA-compliant products to confirm this product's current compliance.

