

# CHLORIDE

by 

## Exit/Emergency

R series

Remote lighting fixture



Project: \_\_\_\_\_  
Location: \_\_\_\_\_  
Cat.No: \_\_\_\_\_  
Type: \_\_\_\_\_  
Lamps: \_\_\_\_\_ Qty: \_\_\_\_\_  
Notes: \_\_\_\_\_

### Example: RW120P13

R				
Series	Mounting Configuration	Battery	Lamp Wattage	
R - R-Series	W - Wall P - Pendant C - Ceiling	Incandescent Blank - 120 V  Compact Fluorescent 120 - 120 VAC 277 - 277 VAC	AC Only HF - 150 W A19 Incandescent <sup>1</sup> P13 - 13 W Compact Fluorescent P26 - (2) 13 W Compact Fluorescent  Emergency Only, Incandescent <sup>3</sup> HF7 - 6 V, 7 W Halogen HF10 - 6 V, 10 W Halogen HF12 - 6 V, 12 W Halogen THF12 - 12 V, 12 W Halogen  AC/Emergency Operation HFP7 - 7 W Compact Fluorescent <sup>2</sup>	

### Accessories<sup>4</sup> (Order Separately)

AR - 25° Angled Dome Reflector  
OB3 - 3-Way Explosion Proof 3/4" Conduit Hub  
SEA - Swivel Elbow Arm for Use With Pendant Mount Fixture to Connect to OB3 or IX Unit  
SDR - Straight Dome Reflector

### Footnotes

- <sup>1</sup> Lamps not provided.  
<sup>2</sup> For normally on use exclusively with IXP14 emergency power unit. The maximum remote mounting distance from the IXP14 is 8 feet.  
<sup>3</sup> Lamp provided.  
<sup>4</sup> Consult Signify to confirm whether specific accessories are BAA-compliant.

### codes and standards

- UL 924 and 844 listed
- Suitable for wet locations
- NFPA 70 and NFPA 101, NEC, IBC, BOCA, and OSHA illumination standard
- Suitable for use in Class I, Div. 1 & 2, Groups C & D; Class I, Zone 1 & 2, Groups IIB & IIA; Class II, Div. 1 & 2, Groups E, F & G; Class III, Div. 1 & 2 hazardous location areas
- NEMA 3, 4, 4X
- Temperature performance rating T6 (maximum ambient temperature 160°C)

### construction

- Copper free cast aluminum enclosure designed to withstand the pressure of explosions generated by internal arc without propagating them into the hazardous atmosphere.
- Enclosure has a corrosion resistant, epoxy powder coat finish.
- Includes high impact, heat resistant globe with a cast aluminum globe guard, and stainless steel hardware.
- Ceiling and wall mount fixtures have universal junction box with four tapped holes for 3/4" rigid conduit (3 close-up plugs provided).
- Pendant mount fixture has 3/4" top hub.

### electronics

- Compatible with medium base incandescent or 13 W compact fluorescent lamps for non-emergency application.
- Available with low voltage halogen lamps and 7 W fluorescent lamps when powered by IX Series emergency lighting unit.

### lamps

- Illumination is accomplished with halogen incandescent or compact fluorescent lamps protected with a heat-resistant globe.

### warranty

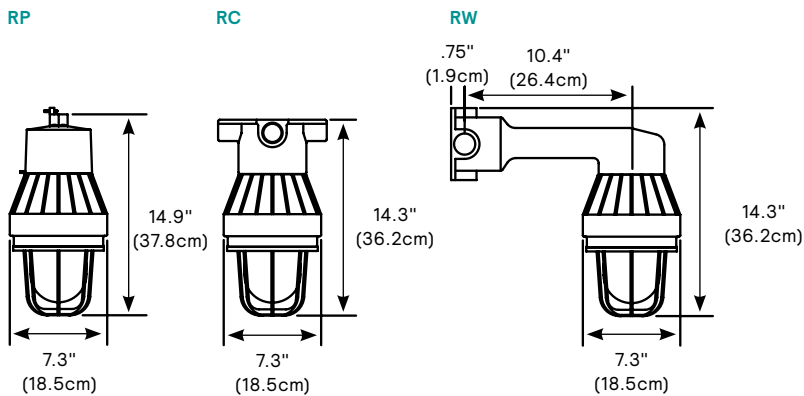
- Five full years on electronics and unit (excluding lamps).



# R Remote lighting fixture

120/277VAC

## dimensions



### Buy American Act of 1933 (BAA):

This product is manufactured in one of our US factories and, as of the date of this document, this product was considered a commercially available off-the-shelf (COTS) item meeting the requirements of the BAA. This BAA designation hereunder does not address (i) the applicability of, or availability of a waiver under, the Trade Agreements Act, or (ii) the "Buy America" domestic content requirements imposed on states, localities, and other non-federal entities as a condition of receiving funds administered by the Department of Transportation or other federal agencies. Prior to ordering, please visit [www.signify.com/baa](http://www.signify.com/baa) to view a current list of BAA-compliant products to confirm this product's current compliance.



© 2021 Signify Holding. All rights reserved. The information provided herein is subject to change, without notice. Signify does not give any representation or warranty as to the accuracy or completeness of the information included herein and shall not be liable for any action in reliance thereon. The information presented in this document is not intended as any commercial offer and does not form part of any quotation or contract, unless otherwise agreed by Signify.

Signify North America Corporation  
200 Franklin Square Drive,  
Somerset, NJ 08873  
Telephone 855-486-2216

Signify Canada Ltd.  
281 Hillmount Road,  
Markham, ON, Canada L6C 2S3  
Telephone 800-668-9008

All trademarks are owned by Signify Holding or their respective owners.