

CHLORIDE

RCHF, RPHF, RWHF Hazardous Location Fixtures



INSTALLATION INSTRUCTIONS FOR MOUNTING ACCESSORIES

NOTE: Outlet box threads must be lubricated to prevent galling. Lightly lubricate with Killark “LUBT” lubricant or equivalent, for ease of future maintenance.

NOTE: Refer to marking on fixture nameplate for required supply wire temperature rating. Fixture mount must be grounded. Connect the ground wire to the green screw provided inside the mounts (except wall bracket mount)

CEILING MOUNT (RCHF) (See Figure 1)

Install ceiling mount on support surface by using the (4) external mounting holes. Remove terminal block from the mount and connect electrically as described under Pendant Mount. Plug unused conduit entries with closeup plugs provided.

PENDANT MOUNT (RPHF) (See Figure 2)

Install pendant mount to conduit or use optional (SEA) swivel elbow arm and secure with locking set screw. Remove terminal block from the mount by loosening the (2) mounting screws. Connect the ground wire to the green screw. Connect supply wires to the terminal block. Reinstall terminal block and securely tighten it in place.

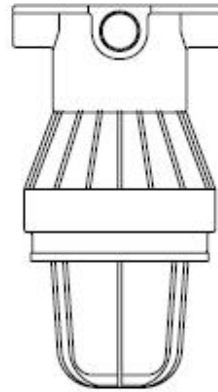


FIGURE 1

Not suitable for use with through Branch Circuit conductors.



FIGURE 2



OPTIONAL (SEA)
Swivel Elbow Arm
Assembly

WALL BRACKET MOUNT (RWHF)

(See Figure 3)

Install wall bracket mount on support surface, using the (2) external mounting holes. Unscrew and remove inspection cap. Pull out Black (line), White (common / neutral), and Green (ground) wires through the inspection hole (wires will extend out about 6 inches) and connect to supply wires using wire nuts. Push the wires back in and replace the cap. Plug unused conduit openings with closeup plugs provided.

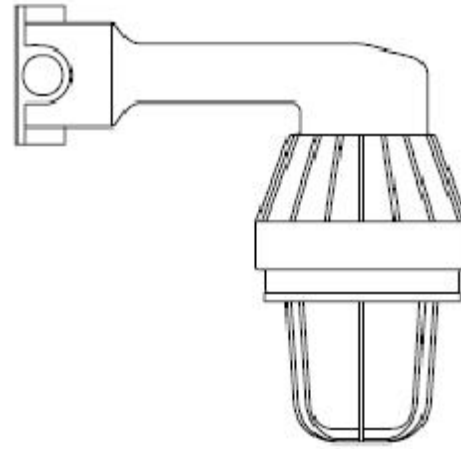


FIGURE 3

INSTALLATION INSTRUCTIONS FOR LIGHTING FIXTURE SAVE THESE INSTRUCTIONS

IMPORTANT:

(1): See fixture nameplate for specific hazardous location suitability and specific supply wire (minimum temperature rating).

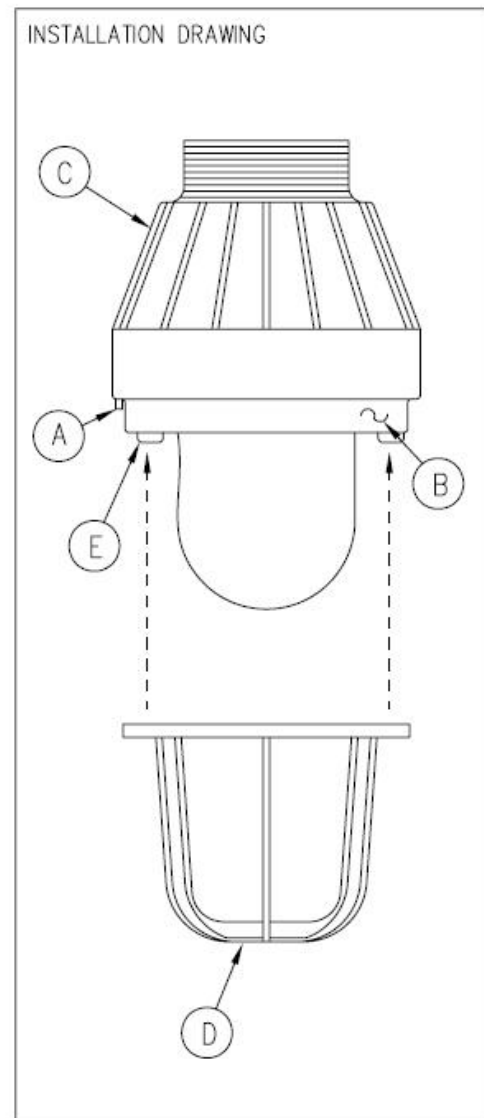
(2): Verify the ground continuity in the electrical system.

(3): Do not operate this fixture if the ambient temperature exceeds the rating shown on the nameplate.

WARNING: Turn OFF the supplying circuit before beginning installation, or performing any maintenance including relamping.

WARNING: Do not operate this fixture on an ungrounded system.

NOTE: All installations must comply with applicable local regulations and/or the National Electrical Code.



(1): Install fixture's mounting accessory per instructions mentioned elsewhere on this instruction sheet.

(2): Loosen the locking screw "A".

(3): Unscrew and remove globe support assembly "B" from the fixture tank "C". CAUTION: During installation or maintenance, care should be taken to avoid scratching, nicking, or chipping the glass globe.

(4): Verify that the supply line voltage and fixture nameplate voltage are compatible.

(5): Make sure that the external threads at the top of the fixture tank are free of any dirt, metal chips, or other foreign materials. Apply a thin coat of Killark "LUBT" lubricant or equivalent, to the threads. CAUTION: Take extreme care not to cross-thread the fixture when installing into mounting accessory. Install fixture by threading into mounting accessory; the electrical contacts will automatically engage. Be sure the fixture is tight.

(6): Tighten the set screw on the side of the mounting accessory.

(7): Referring to the fixture nameplate, install the proper size and type of lamp or use halogen lamp and adaptor socket assembly if supplied.

(8): Make sure the globe support threads are clean. To prevent galling of threads, apply a thin coat of Killark "LUBT" lubricant to the male threads. Thread the globe support assembly into the fixture tank and turn until there is no gap between the flanges.

(9): Tighten the locking screw "A"

(10): To install guard "D", loosen the four (4) screws "E", slip the guard over the screws and rotate it to the locked position.

(11): Optional reflectors (SDR OR AR) may be installed at this time.

(12): Optional exit frame (EFK) may be installed at this time. Refer to instructions supplied with the exit frame kit.

(13): Tighten the four (4) screws "E" firmly.