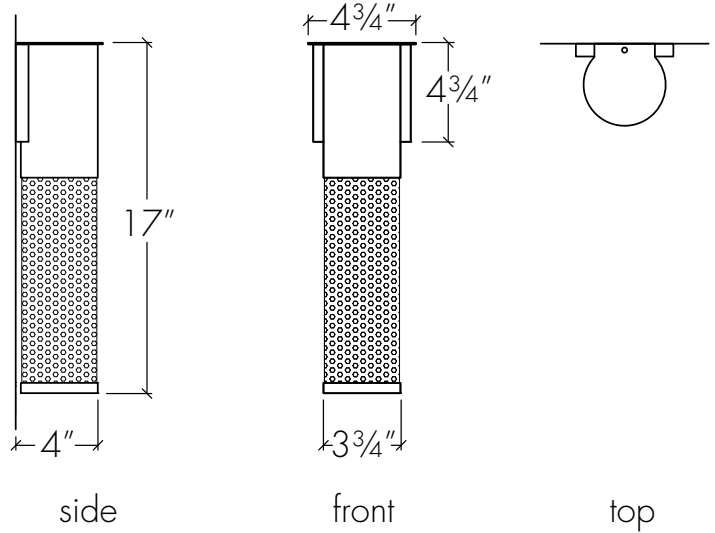


ULTRALIGHTS



PROFILES 19423

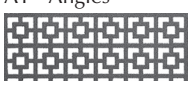

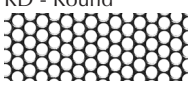
Complies with Americans with Disabilities Act

Base Specifications:

17" h x 4.75" w x 4" d
 10: WRL - 1 x E26 - for LED Retro 20W max
 Opal Acrylic Diffuser
 ADA

Notes:

Uplight mounting available*
 Shown in: CL - Cloverleaf

19423	-	-	-	-	-
MODEL	PERF	FINISH	DIFFUSER	LAMPING	COLOR TEMPERATURE / CRI
<p>*Modifications:</p> <input type="checkbox"/> Uplight mounting	<p>A1 - Angles</p>  <p>CL - Cloverleaf</p>  <p>RD - Round</p> 	<p>BA - Bronze Age BK - Black BP - Black Pearl CB - Cast Bronze CH - Chestnut CR - Chrome DI - Dark Iron EB - Empire Bronze MB - Medieval Bronze NB - New Brass SB - Smokey Brass SP - Satin Pewter SS - Smoked Silver</p>	<p>OA - Opal</p>	<p>10: WRL - 1 x E26 - for LED Retro 20W max (Par 20) 120V</p>	<input type="checkbox"/> 3000K (Standard) - CRI available upon request <input type="checkbox"/> 2700K - CRI available upon request <input type="checkbox"/> 3500K - CRI available upon request <input type="checkbox"/> 4000K - CRI available upon request

Project Name:
 Project Location:

Specifier Name:
 Specifier Location:

Quantity:
 Fixture Type:

WWW.ULTRALIGHTSLIGHTING.COM