

Project		Catalog #		Type	
Prepared by		Notes		Date	



Portfolio

LSM, LSWM, LSMP, LSMAC48, LSMAC120

High Lumen Wavestream LED
Surface-Mount Luminaire

Typical Applications

Healthcare • Hospitality • Retail • Institutional

Interactive Menu

- Order Information [page 2](#)
- Product Specifications [page 3](#)
- Energy Data [page 3](#)
- Photometric Data [page 4](#)
- Product Warranty

Product Certification



Product Features

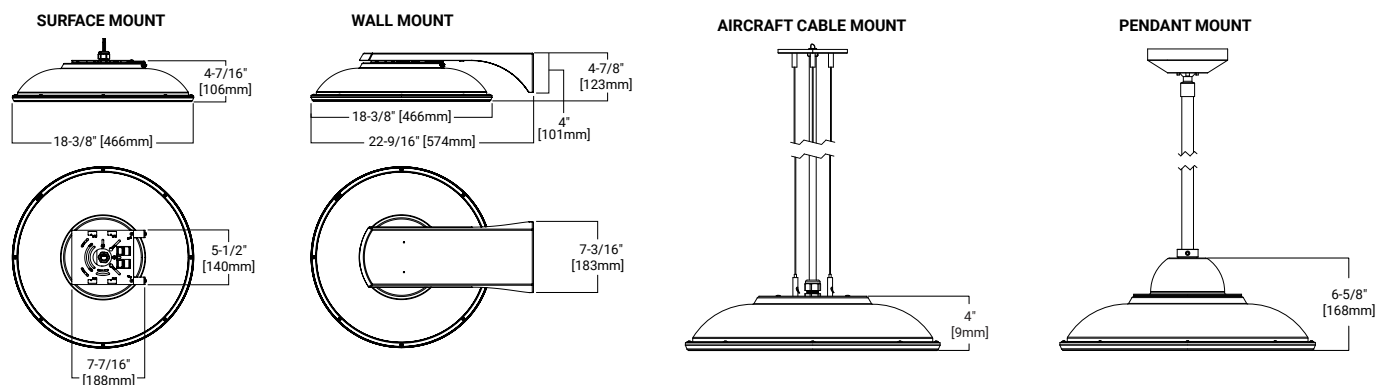


Top Product Features

- Mounting: ceiling, wall, stem or aircraft cable
- 4 color temperatures: 2700K, 3000K, 3500K and 4000K CCT, CRI: 80 or 90
- Lumens: 4,500-9,000, up to 100 lm/W
- Distributions: medium and wide beams
- Decorative one piece die-cast aluminum housing, Spun aluminum top, housing, and reflectors
- Colors: Matte Black, White, Bronze and Silver paint finishes
- Standard dual dimming 0-10V/trailing edge driver

Dimensional and Mounting Details / General Purpose

[CLICK HERE](#)
dimension information

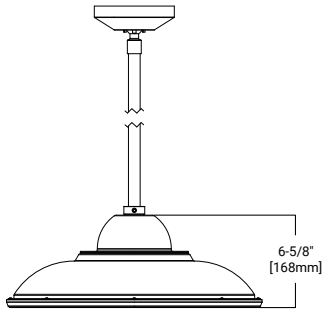


NOTES:

1. Visit <https://www.designlights.org/search/> to confirm qualification. Not all product variations are DLC qualified.

Dimensional and Mounting Details / Gymnasium, Arenas, Sports Complexes, Multi-Purpose Rooms, Etc.

PENDANT MOUNT WITH LPST*



Order Information

SAMPLE ORDER NUMBER: **LSMP45W8027D010TEMB LPS36MB**

Housing	Lumens	Distribution	CRI	CCT	Voltage	Driver	Color
Housing ⁽²⁾	Lumens	Distribution	CRI	CCT	Voltage	Driver	Color
LSM =LED Surface Ceiling LSMP =LED Pendant Mount ⁽¹⁾ LSWM =LED Wall Mount LSMAC48 =LED Aircraft Cable Mount 48" LSMAC120 =LED Aircraft Cable Mount 120"	45 =4500 Lumens 55 =5500 Lumens 70 =7000 Lumens 80 =8000 Lumens 90 =9000 Lumens	W =Wide M =Medium	80 = 80 CRI 90 = 90 CRI	27 = 2700K 30 = 3000K 35 = 3500K 40 = 4000K	Blank = 120-277V 3 = 347V	4500, 5500, 7000, 8000, 9000 Lumen D010TE =120-277 0-10V 10% Dimming or Trailing Edge 120V 4500, 5500, 7000, 8000 Lumen D5LT =120-277 Fifth Light DALI Dimming D010TR =120-277 0-10V 10% Dimming or Leading Edge 120V DE010 =120-277 0-10V 1% Dimming 4500, 5500, 7000 Lumen DLT =120V, 1-100% Lutron, Forward Phase Dimming	MB =Matte Black P =White SL =Silver BZ =Bronze
Notes	Notes	Notes	Notes	Notes	Notes	Notes	Notes
(1) For pendant mount order stem kit. (2) For installations in locations such as gymnasiums, arenas, sports complexes, multi-purpose rooms, and any other locations where the fixture potentially will be subject to impacts from external sources, the stem kit with tether (LPST*) is required.							

Accessories

Accessories
TT/WG =Wireguard
Notes

Stem Kits	Color	Type
Stem Kits	Color	Type
LPS36 =36" LPS48 =48" LPS96 =96" Stem Kit w/Tether ⁽²⁾ LPST36 =36" LPST48 =48" LPST96 =96"	MB =Matte Black P =White SL =Silver BZ =Bronze	Blank =5 Conductor for use with 0-10V Dimming Drivers 120 =3 Conductor for use with 120V or 277V 2-wire Dimming D5LT =5 Conductor for use with D5LT Drivers
Notes	Notes	Notes
(2) For installations in locations such as gymnasiums, arenas, sports complexes, multi-purpose rooms, and any other locations where the fixture potentially will be subject to impacts from external sources, the stem kit with tether (LPST*) is required.		

Product Specifications

Optics

- Medium and wide beam distribution is achieved using reflective backing plates and WaveStream optical technology.
- The optical WaveGuide is manufactured using precision injection molded acrylic.
- The optics contain features that form a repeatable and redundant pattern to direct light in a precisely prescribed distribution.
- Available in 2700K, 3000K, 3500K and 4000K CCT.

Housing

- Decorative one piece die-cast aluminum housing with spun aluminum top available in white, matte black, silver or bronze paint.

Mounting

- Standard fixture mounts to a square or octagonal 4" surface or recessed j-box via heavy-gauge quick mount bracket.
- Optional mounting methods include aircraft cable, pendant mount and wall mount.
- For installations in locations such as gymnasiums, arenas, sports complexes, multi-purpose rooms, and any other locations where the fixture potentially will be subject to impacts from external sources, the stem kit with tether (LPST*) is required.

Driver

- Combination 0-10V or trailing edge standard. Optional 1% 0-10V, 1% Fifth Light / DALI.

Compliance

- UL Certified for US and Canada for damp locations with covered ceiling.
- EMI/RFI emissions per FCC 47CFR Part 18 Class B consumer limits.
- Photometric testing completed in accordance with IES LM-79 standards.
- LED life testing completed in accordance with LM-80 standards.

Warranty

- Five year warranty.

Energy Data

Sound Rating: Class A standards	
(Values at non-dimming line voltage)	
Minimum Starting Temperature: -20°C (-4°F)	
EMI/RFI: FCC Title 47 CFR, Part 15, Class B (Consumer)	

4500 Lumen D010TE	
120V Input Power: 44W	277V/347V Input Power: 45W
120V Input Current: .36A	277V/347V Input Current: .17A
THDI 120V: <13%	THDI 277V: <20%
Maximum Non-IC Ambient Continuous	
Input Frequency: 50-60Hz	

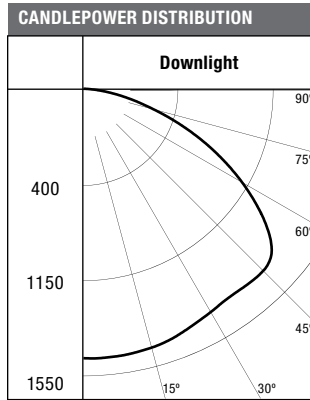
5500 Lumen D010TE	
120V Input Power: 56W	277V/347V Input Power: 57W
120V Input Current: .46A	277V/347V Input Current: .21A
THDI 120V: <13%	THDI 277V: <20%
Maximum Non-IC Ambient Continuous	
Input Frequency: 50-60Hz	

7000 Lumen D010TE	
120V Input Power: 74W	277V/347V Input Power: 75W
120V Input Current: .61A	277V/347V Input Current: .27A
THDI 120V: <13%	THDI 277V: <20%
Maximum Non-IC Ambient Continuous	
Input Frequency: 50-60Hz	

8000 Lumen D010TE	
120V Input Power: 88W	277V/347V Input Power: 89W
120V Input Current: .74A	277V/347V Input Current: .32A
THDI 120V: <13%	THDI 277V: <20%
Maximum Non-IC Ambient Continuous	
Input Frequency: 50-60Hz	

9000 Lumen D010TE	
120V Input Power: 99W	277V/347V Input Power: 98W
120V Input Current: .83A	277V/347V Input Current: .36A
THDI 120V: <13%	THDI 277V: <20%
Maximum Non-IC Ambient Continuous	
Input Frequency: 50-60Hz	

Photometrics



LSM55W8035D010TEP

Lumens 5808
Efficacy 103 Lm/W
Watts 57
CCT 3500K
SC 1.45 / 1.43 / 1.73

CONE OF LIGHT

Distance Fixture to Lighted Plane	Initial Footcandles at Nadir	Beam Diameter
8'	24	11
9'	19	13
10'	15	14
13'	9	19
16'	6	23

CANDELA TABLE

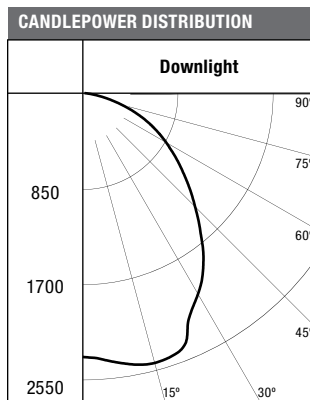
Degrees Vertical	Candela
0	1516
5	1518
15	1506
25	1465
35	1432
45	1439
55	1220
65	795
75	362
85	71
90	0

ZONAL LUMEN SUMMARY

Zone	Lumens	%Fixture
0-30	1247	21.5
0-40	2153	37.1
0-60	4452	76.7
0-90	5807	100
90-180	0	0
0-180	5807	100

LUMINANCE

Average Candela Degrees	Average 0° Luminance
45	22030
55	23021
65	20356
75	15144
85	8863



LSM55W8035D010TEP

Lumens 6325
Efficacy 112.5 Lm/W
Watts 56
CCT 3500K
SC 1.28 / 1.28 / 1.33

CONE OF LIGHT

Distance Fixture to Lighted Plane	Initial Footcandles at Nadir	Beam Diameter
8'	37	10
9'	29	11
10'	24	13
13'	14	16
16'	9	20

CANDELA TABLE

Degrees Vertical	Candela
0	2334
5	2373
15	2471
25	2214
35	1860
45	1400
55	1013
65	666
75	301
85	43
90	0

ZONAL LUMEN SUMMARY

Zone	Lumens	%Fixture
0-30	1980	31.3
0-40	3130	49.5
0-60	5227	82.6
0-90	6325	100
90-180	0	0
0-180	6325	100

LUMINANCE

Average Candela Degrees	Average 0° Luminance
45	21446
55	19123
65	17057
75	12589
85	5330