

Project		Catalog #		Type	
Prepared by		Notes		Date	



Portfolio

LSRS8B EC8B 8L

High Bay / Low Bay Ceiling, Pendant or Wall Mount

Typical Applications

Office • Education • Healthcare • Hospitality

Interactive Menu

- Order Information page 2
- Product Specifications page 4
- Energy Data page 5
- Photometric Data page 6
- Connected Systems page 7
- Product Warranty

Product Certification



Control Compatibility



Product Features

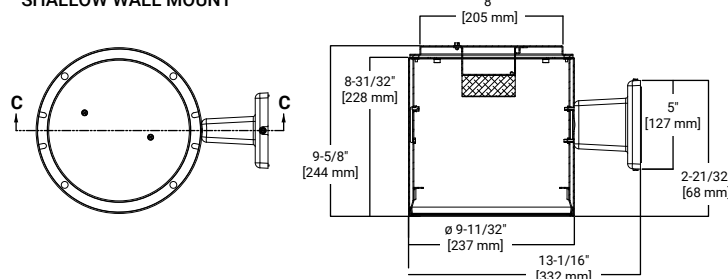


Top Product Features

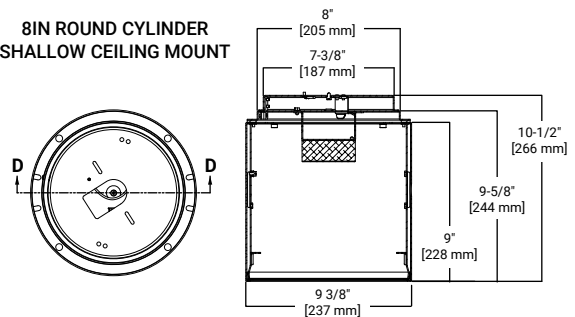
- 1,000 to 6,000 lumens; Surface, wall or optional pendant mount
- Offered in narrow beam, medium beam and wide beam distributions; 80, 90 or 97 CRI
- 2400K, 2700K, 3000K, 3500K, 4000K, 5000K; D2W™ option from 3000K to 1850K
- W2N tunable white CCT range from 2700K to 6500K or 2000K to 5000K
- Two-stage reflector system produces smooth beam
- Options to meet Trade Agreements Act requirements

Dimensional and Mounting Details

8IN ROUND CYLINDER SHALLOW WALL MOUNT



8IN ROUND CYLINDER SHALLOW CEILING MOUNT



Order Information

SAMPLE ORDER NUMBER: **LSRS8B20D010MB**

Domestic Preferences	Housing	Lumens	Voltage	Driver	Dim to Warm	Remote	Finish
Domestic Preferences ⁽¹⁶⁾	Housing	Lumens ⁽¹⁾	Voltage	Driver	Dim to Warm	Remote	Finish ⁽⁸⁾
[Blank] =Standard TAA =Trade Agreements Act	LSRS8B =8-inch round shallow surface mount LSRSWMB8B =8-inch round shallow wall mount	10 =1000 lumens 15 =1500 lumens 20 =2000 lumens 30 =3000 lumens 40 =4000 lumens 50 =5000 lumens 60 =6000 lumens	blank =120-277V 3 =347V ⁽²⁾	1000-4000 Lumen⁽⁴⁾ D010 =0-10V Dimming, 1% to 100% D010TR =0-10V 120-277V or 120V Line Voltage Dimming, 1% to 100% DE010 =0-10V Linear Dimming, 0% to 100%, 120V-277V D5LT =Fifth Light® DALI DT6 Logarithmic Dimming, 0% to 100%, 120V-277V DMXC5 =DMX/RDM Logarithmic Dimming, 0% to 100%, 120V-277V ⁽³⁾ DMXC5 =DMX/RDM Logarithmic Dimming, 0% to 100%, 120V-277V, with RJ45 connection DL2 =Lutron® Hi-Lume Forward Phase Dimming, 1% to 100%, 120V Only DLE =Lutron Ecosystem dimming 1% to 100% DLV =Low Voltage System ⁽⁶⁾ 5000, 6000 Lumen⁽⁵⁾ D010TE =0-10V or Trailing Edge Dimming, 5% to 100%, 120V-277V (120V Only for Trailing Edge Dimming) Tunable white 1000-2000 DE010W2N =0-10V dimming, 0% to 100%,120V D5LTW2N =Fifth Light (DALI) Logarithmic Dimming, 0% to 100% DE010W2N2765 = 0-10V dimming, 0% to 100%, 120-277V, 2700K-6500K DE010W2N2050 = 0-10V dimming, 0% to 100%, 120-277V, 2000K-5000K D5LTW2N2765 = Fifth Light DALI DT6 Logarithmic Dimming, 0% to 100%, 120V-277V, 2700K-6500K D5LTW2N2050 =Fifth Light DALI DT6 Logarithmic Dimming, 0% to 100%, 120V-277V, 2000K-5000K	blank = For 3000 and below D2W = For 4000, 6000 and 9000	blank = Integral driver R = Remote driver ⁽⁷⁾	P =White MB =Matte Black SL =Silver BZ =Bronze
Notes (16) Only product configurations with this designated prefix are built to be compliant with the Trade Agreements Act of 1979 (TAA). Please refer to DOMESTIC PREFERENCES website for more information. Components shipped separately may be separately analyzed under domestic preference requirements. Accessories sold separately will be separately analyzed under domestic preference requirements. Consult factory for further information.	Notes (1) Nominal Lumens will vary depending on selected color, driver and reflector finish.	Notes (2) 347V integral D010 only.	Notes (3) DMX fixtures default to full on upon loss of DMX signal. (4) For D2W up to 3000 lumens. (5) Not for use with D2W. (6) Limited to 3000 Lumens	Notes (7) Order remote driver separately. See below to order.	Notes (8) Consult factory for custom finishes.		

SAMPLE ORDER NUMBER: **ER8B30408035**

Domestic Preferences	Power Module	Lumen Levels	Color
Domestic Preferences ⁽¹⁶⁾	Power Module	Lumen Levels ⁽¹⁾	Color
[Blank] =Standard TAA =Trade Agreements Act	EC8B =8" LED Module for 7000 lumen and below	1020 =1000, 1500, or 2000 Lumens 3040 =3000 or 4000 Lumens 5070 =5000, 6000 lumens	80 CRI 8027 = 80CRI, 2700K 8030 = 80CRI, 3000K 8035 = 80CRI, 3500K 8040 = 80CRI, 4000K 8050 = 80CRI, 5000K Dim 2 Warm 109030D2W =1000 Lumen, 90 CRI, Dim 2 Warm, IC Rated 159030D2W =1500 Lumen, 90 CRI, Dim 2 Warm, IC Rated 209030D2W =2000 Lumen, 90 CRI, Dim 2 Warm, IC Rated 309030D2W =3000 Lumen, 90 CRI, Dim 2 Warm 409030D2W =4000 Lumen, 90 CRI, Dim 2 Warm 609030D2W =6000 Lumen, 90 CRI, Dim 2 Warm 90 CRI 9024 = 90CRI, 2400K 9027 = 90CRI, 2700K 9030 = 90CRI, 3000K 9035 = 90CRI, 3500K 9040 = 90CRI, 4000K 9050 = 90CRI, 5000K W2N Tunable White 10W2N902050 =1000 lumens, 90 CRI, Tunable white 2000K - 5000K 10W2N902765 =1000 lumens, 90 CRI, Tunable white 2700K - 6500K 15W2N902050 =1500 lumens, 90 CRI, Tunable white 2000K - 5000K 15W2N902765 =1500 lumens, 90 CRI, Tunable white 2700K - 6500K 20W2N902050 =2000 lumens, 90 CRI, Tunable white 2000K - 5000K 20W2N902765 =2000 lumens, 90 CRI, Tunable white 2700K - 6500K
Notes (1) Nominal Lumens will vary depending on selected color, driver and reflector finish. (16) Only product configurations with this designated prefix are built to be compliant with the Trade Agreements Act of 1979 (TAA). Please refer to DOMESTIC PREFERENCES website for more information. Components shipped separately may be separately analyzed under domestic preference requirements. Accessories sold separately will be separately analyzed under domestic preference requirements. Consult factory for further information.			

SAMPLE ORDER NUMBER: **8LBM3LI**

Trim	Reflector	Flange	Finish
Trim	Reflector ⁽¹²⁾	Flange	Finish
8LB =8" Reflector	S =Shallow Spun Aluminum	3 =Rimless	LI =Specular Clear H =Semi-Specular Clear WMH =Warm Haze WH =Wheat GPH =Graphite Haze B =Specular Black MW =Matte White
Notes (12) Beam angles are nominal with LI finish trims.			

Order Information

REQUIRED if Remote Driver (R) is specified on Cylinder

Remote Drivers	Lumens	Voltage	Driver	Options	Controls
R100 =Remote 100 ft R75 = Remote 75ft R50 = Remote 50 ft R25 = Remote 25ft R15 = Remote 15ft R5 = Remote 5ft R2 = Remote 2 ft	10 =1000 lumens 15 =1500 lumens 20 =2000 lumens 30 =3000 lumens 40 =4000 lumens 50 =5000 lumens 60 =6000 lumens	blank =120-277V ⁽⁹⁾ 1 =120V 2 =277V 3 =347V	1000-4000 Lumen ⁽⁴⁾ D010 =0-10V Dimming, 1% to 100% D010TR =0-10V 120-277V or 120V Line Voltage Dimming, 1% to 100% DE010 =0-10V Linear Dimming, 0% to 100%, 120V-277V D5LT =Fifth Light® DALI DT6 Logarithmic Dimming, 0% to 100%, 120V-277V DMX =DMX/RDM Logarithmic Dimming, 0% to 100%, 120V-277V ⁽³⁾ DMXC5 =DMX/RDM Logarithmic Dimming, 0% to 100%, 120V-277V, with RJ45 connection DL2 =Lutron® Hi-Lume Forward Phase Dimming, 1% to 100%, 120V Only DLE =Lutron Ecosystem dimming 1% to 100% DLV =Low Voltage System ⁽⁹⁾ 5000, 6000 Lumen ⁽⁹⁾ D010TE =0-10V or Trailing Edge Dimming, 5% to 100%, 120V-277V (120V Only for Trailing Edge Dimming) Tunable white 1000-2000 DE010W2N =0-10V dimming, 0% to 100%,120V D5LTW2N =Fifth Light DALI DT6 Logarithmic Dimming, 0% to 100%, 120V-277V DE010W2N2765 = 0-10V dimming, 0% to 100%, 120-277V, 2700K-6500K DE010W2N2050 = 0-10V dimming, 0% to 100%, 120-277V, 2000K-5000K D5LTW2N2765 = Fifth Light DALI DT6 Logarithmic Dimming, 0% to 100%, 120V-277V, 2700K-6500K D5LTW2N2050 =Fifth Light DALI DT6 Logarithmic Dimming, 0% to 100%, 120V-277V, 2000K-5000K	EM7 =7W emergency mdoule with remote test switch EM14 =14W emergency mdoule with remote test switch EMBOD =Bodine® Emergency Module with Remote Test Switch EMV7 =7W emergency mdoule for use with DLV driver with remote test switch EMV14 =14W emergency mdoule for use with DLV driver with remote test switch	WPST = Factory installed WaveLinx (includes control module, sensor, cable, tilemount and ceiling mount sensor) ⁽¹¹⁾ ⁽¹⁴⁾ WLST = Factory installed WaveLinx LITE Sensor Kit ⁽¹¹⁾ ⁽¹⁵⁾ WPN = WaveLinx PRO Wireless Node without sensor ⁽¹⁸⁾
Notes	Notes	Notes	Notes	Notes	Notes
		(9) 3000 and below. Up to 3000 lumens does not need voltage specified.	(3) DMX fixtures default to full on upon loss of DMX signal. (4) For D2W up to 3000 lumens. (5) Not for use with D2W. (6) Limited to 3000 Lumens (10) For wall mount and ceiling mount		(11) Refer to system specifications for additional information, features, and benefits. Order either factory installed option or accessory. (14) WPST = WaveLinx wireless sensor kit for daylight dimming, PIR motion sensing, and optional RLTS - Real Time Location Services, use with 0-10V only. (15) WLST = WaveLinx Lite tile mount sensor kit for daylight dimming, PIR motion sensing, use with D010 only (Refer to WaveLinx Lite system specifications) (18) WPN = WaveLinx PRO wireless node provides luminaire-level control with scene and zone configuration without an integrated sensor; Connects wirelessly with daylight dimming sensor and PIR motion sensor if desired. Use with 0-10V driver only.

Domestic Preferences	Accessories	Type	Lengths
Domestic Preferences ⁽¹⁶⁾	Accessories	Type	Lengths
[Blank] =Standard TAA =Trade Agreements Act	Pendant Kit ⁽¹³⁾ P836P =White pendant stem kit P836BZ =Bronze pendant stem kit P836MB =Matte black pendant stem kit P836SL =Silver pendant stem kit Conduit Pendant Kit PMRCC6P = Round pendant stem kit with conduit knockout cover, white PMRCC6MB = Round pendant stem kit with conduit knockout cover, black PMRCC6BZ = Round pendant stem kit with conduit knockout cover, bronze PMRCC6SL = Round pendant stem kit with conduit knockout cover, silver Aircraft cable ⁽¹⁷⁾ AC120P =120" white aircraft cable kit AC48P =48" white aircraft cable kit AC120MB =120" black aircraft cable kit AC48MB =48" black aircraft cable kit	Blank =5 conductor for use with 0-10V driver 3C =3 conductor for use with 120 or 277V 5C = 5 conductor for use with D5LT drivers DMX =No conductors for use with DMX DMXC5 =No conductors for use with RJ45 connection RM = for Remote drivers Blank =5 conductor DMXC5 =DMX/RDM logarithmic Dimming with RJ45 connection	Blank =36" SP *=* Specify 6" to 144" in 1" increments Blank =36" SP *=* Specify 6" to 144" in 1" increments
Notes			
(13) 0-45° slope. (16) Only product configurations with this designated prefix are built to be compliant with the Trade Agreements Act of 1979 (TAA). Please refer to DOMESTIC PREFERENCES website for more information. Components shipped separately may be separately analyzed under domestic preference requirements. Accessories sold separately will be separately analyzed under domestic preference requirements. Consult factory for further information. (17) Not for use with remote drivers.			

Product Specifications

Lower Reflector

- Self-flanged, spun 0.062" thick aluminum lower reflector with a lensed upper optical chamber provides superior lumen output with minimal source brightness

Trim Retention

- Two torsion springs hold flange tightly to the cylinder lip

Housing

- Round seamless .060" thick spun aluminum housing
- White, bronze, silver or matte black. Consult factory for custom finishes.
- Available in standard and shallow heights

Mounting

- Ceiling mounting plate installs to mounted junction box
- Cylinder mounts to plate with easy twist and lock hooks for ceiling mount
- For wall mount, mounting bracket plate attaches directly to wall-mounted junction box
- Optional pendant kits allow unit to be stem hung on ceilings with up to 45° slope

LED System

- Contains a plurality of high brightness white LED's combined with high reflectance upper reflector and convex transitional lens producing even distribution with no pixilation
- Lumen output shall not decrease by more than 10% over the minimum life of 55,000 hours (L90 > 55,000 hours)
- Color variation within 2-step MacAdam ellipses
- Flexible disconnect allows for tool-less replacement of LED engine from below ceiling
- Available in 2700K, 3000K, 3500K, 4000K and 5000K correlated color temperature (CCT)
- Available in 80, 90 or 97 color rendering index (CRI)

VividTune™ Color Tuning Solutions

- D2W™ – Dim-to-Warm shifts CCT from 3000K to 1850K as fixture dims, mimicking halogen sources
- W2N – Tunable white CCT range from 2700K to 6500K or 2000K to 5000K; 90 CRI

Driver

- Combination 0-10V trailing edge driver provides flicker-free dimming from 100% to 10%
- Optional 1% 0-10V, Fifth Light, DMX or Lutron® Ecosystem
- Remote driver option up to 100' based on driver selection
- Distributed low voltage power system combines power, lighting, and controls with ease of installation (remote only).

Connected Lighting System Options

Two WaveLinX connected solutions to choose from. Refer to WaveLinX system specifications and application guides for details.

WaveLinX PRO Tilemount Sensor Kit

- WaveLinX WPST tilemount sensor kit offers daylight dimming, PIR motion sensing, scene and zone configuration, automatic commissioning; and optional RLTS - Real Time Location Services available.

WaveLinX PRO Wireless Node

- WaveLinX PRO wireless node provides luminaire-level control with scene and zone configuration without an integrated sensor; Connects wirelessly with daylight dimming sensor and PIR motion sensor if desired. Use with 0-10V driver only.

WaveLinX LITE Tilemount Sensor Kit

- WaveLinX LITE WLST tilemount sensor kit offers daylight dimming and PIR motion sensing, scene and grouping configuration.

WaveLinX Tilemount Kits Application

- The WPST and WLST tilemount kits include a control module mounted on the luminaire junction box via 1/2" knock-out, and a tilemount sensor on 54-inch whip; for ceiling installation by direct-mount spring clips or via mounting bracket in octagon ceiling boxes.
- The WPST and WLST tilemount kits may be ordered as factory installed on the luminaire, or ordered separately as a field installed accessory kit.

Compliance

- Pendant and wall mount and 15,000 lumen cylinder cULus Listed for damp locations
- Ceiling surface mount cULus Listed for protected wet locations with covered ceiling
- EMI/RFI emissions per FCC 47CFR Part 18 Class B consumer limits
- RoHS compliant
- Photometric testing completed in accordance with IES LM-79
- Lumen maintenance projections in accordance with IES LM-80-08 and TM-21-11

Warranty

- Five year warranty www.cooperlighting.com/legal

Color Metric Summary

8027		8030		8035		8040		8050	
R _f	93.2	R _f	83.4	R _f	83.7	R _f	83.3	R _f	82.5
R _g	94.1	R _g	94.4	R _g	94.8	R _g	94	R _g	94.3
CRI	81.3	CRI	82.4	CRI	83.1	CRI	83.7	CRI	94.2
R ₉	0.7	R ₉	4.5	R ₉	9.1	R ₉	9.9	R ₉	11.9

9027		9030		9035		9040		9050	
R _f	92	R _f	91.6	R _f	90.9	R _f	89.4	R _f	88.4
R _g	98.4	R _g	98.6	R _g	98.3	R _g	96.6	R _g	96.8
CRI	93.4	CRI	93.2	CRI	93.3	CRI	91.8	CRI	91
R ₉	59.3	R ₉	60.2	R ₉	63.1	R ₉	58	R ₉	55.2

9727		9730	
R _f	95	R _f	94.2
R _g	100.1	R _g	99.6
CRI	98	CRI	98.5
R ₉	93.9	R ₉	94.7

Energy Data

ENERGY DATA
Sound Rating: Class A standards
(Values at non-dimming line voltage)
Minimum Starting Temperature: -20°C (-4°F)
EMI/RFI: FCC Title 47 CFR, Part 15, Class B (Consumer)
Power Factor: >0.90
Input Frequency: 50/60Hz

1000 Lumen D010	
Input Power: 11W	THD <14%
Input Current: 0.09A	277V Input Current: 0.04A

1500 Lumen D010	
Input Power: 15.5W	THD <13%
Input Current: 0.13A	277V Input Current: 0.06A

2000 Lumen D010	
Input Power: 21.2 W	THD <9%
Input Current: 0.18A	277V Input Current: 0.08A

3000 Lumen D010	
Input Power: 27.6 W	THD <10%
Input Current: 0.23A	277V Input Current: 0.10A

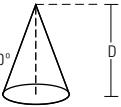
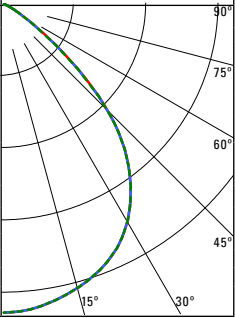
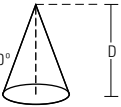
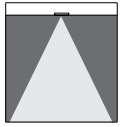
4000 Lumen D010	
Input Power: 41.6 W	THD <13%
Input Current: 0.35A	277V Input Current: 0.15A

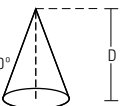
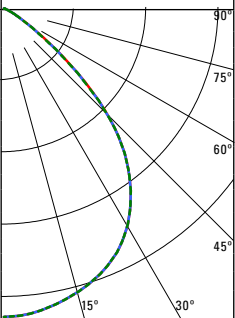
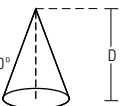
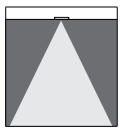
5000 Lumen D010TE	
Input Power: 52.5 W	THD <12%
Input Current: 0.44A	277V Input Current: 0.19A

6000 Lumen D010TE	
Input Power: 59.7W	THD <14%
Input Current: 0.50A	277V Input Current: 0.22A

Photometric Data

 View IES files

SHALLOW (85° BEAM)		CANDLEPOWER DISTRIBUTION		CONE OF LIGHT		CANDELA TABLE		ZONAL LUMEN SUMMARY			LUMINANCE			
Test Number		Downlight				Degrees Vertical	Candela	Zone	Lumens	% Fixture	Average Candela Degrees	Average 0° Luminance		
Housing	LSRS8B50D010			MH	FC	L	W	0	3502	0-30	2670	44.2	45	71087
Module	ER8B50835			4'	218.9	4.6	4.6	5	3477	0-40	4240	70.2	55	24682
Trim	8LBS0H			7'	71.5	8.2	8.2	15	3322	0-60	5920	98.1	65	6100
Lumens	6035			9'	43.2	10.6	10.6	25	3056	0-90	6035	100	75	2121
Efficacy	113.9 Lm/W			13'	20.7	15.4	15.4	35	2525	90-180	0	0	85	1274
SC	1.2	16'	13.7	19	19	45	1630	0-180	6035	100				
														

SHALLOW (85° BEAM)		CANDLEPOWER DISTRIBUTION		CONE OF LIGHT		CANDELA TABLE		ZONAL LUMEN SUMMARY			LUMINANCE			
Test Number		Downlight				Degrees Vertical	Candela	Zone	Lumens	% Fixture	Average Candela Degrees	Average 0° Luminance		
Housing	LSRS8B50D010			MH	FC	L	W	0	3460	0-30	2850	45.9	45	69395
Module	ER8B50835			4'	216.3	5	5	5	3462	0-40	4513	72.7	55	22488
Trim	8LBS0LI			7'	70.6	8.8	8.8	15	3498	0-60	6132	98.8	65	4159
Lumens	6206			9'	42.7	11.4	11.4	25	3343	0-90	6206	100	75	631
Efficacy	117.1 Lm/W			13'	20.5	16.6	16.6	35	2681	90-180	0	0	85	637
SC	1.28	16'	13.5	20.4	20.4	45	1591	0-180	6206	100				
														

Nominal Scaling From 80 CRI 3500K		
CRI	CCT	Lumen Mult
80	2700	0.938
80	3000	0.962
80	3500	1.000
80	4000	0.993
80	5000	1.013
90	2700	0.784
90	3000	0.826
90	3500	0.853
90	4000	0.891
90	5000	0.922
97	2700	0.696
97	3000	0.737

Nominal Scaling From 5000 lumen package	
LUMEN PACKAGE	LUMEN MULT
1000 LUMEN	0.207
1500 LUMEN	0.280
2000 LUMEN	0.398
3000 LUMEN	0.562
4000 LUMEN	0.799
5000 LUMEN	1.000
6000 LUMEN	1.133

Connected Solutions

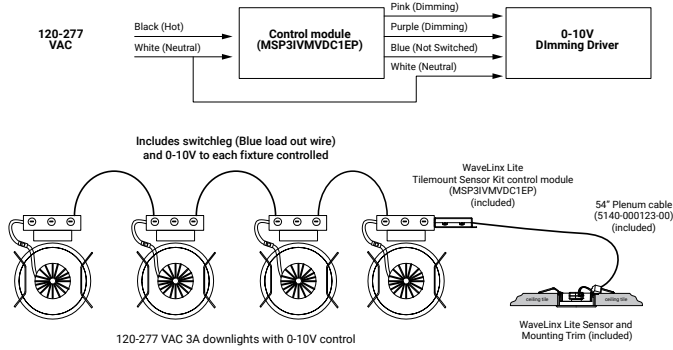
WaveLinX LITE - WLST Tilemount Sensor



- Intuitive Android™ or Apple® iOS® app for basic system code compliant set up and configuration via Bluetooth
- Up to 28 unique areas per project site (WaveLinX LITE Bluetooth network)
- Up to 50 devices for an area, any one of 16 control zones, up to 6 occupancy sets, and custom lighting scenes
- Automatic occupancy or vacancy, sensor sensitivity, daylight dimming, etc. configurable through the app
- Refer to the WaveLinX system specifications for details



WaveLinX LITE WLST Tilemount Wiring Diagram



WaveLinX LITE Bluetooth Enabled System



WaveLinX PRO Wireless – WPST Tilemount Sensor



- WaveLinX PRO Wireless functionality configures zones and customizes settings from one secure mobile app
- Automatic code commissioning that meets the strictest codes
- Fixtures and sensors integrate with Wireless Area Controller, Wall Stations, and Control Devices
- Stand-Along Offices or Entire Building Network Installations

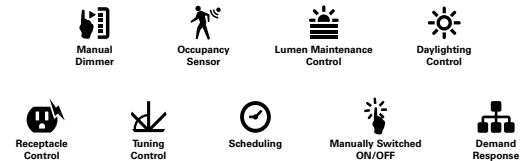
Downlights with tilemount sensor wireless communication
Highly efficient LED fixtures

WaveLinX Area Controller
Provides centralized coordination of multiple area control options

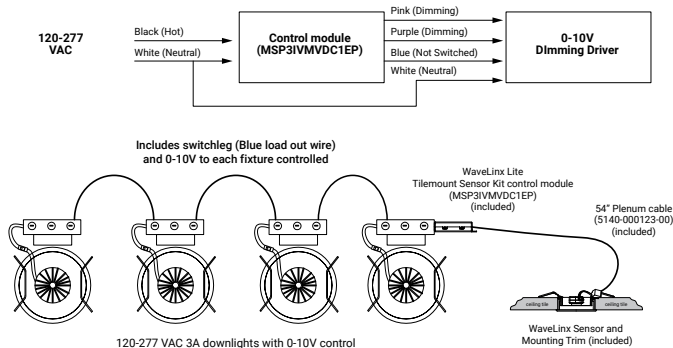
Wireless Wall Station/Receptacle
Provides customized wireless control of each area

Mobile Applications
Provides personalized, local control from a tablet or smartphone

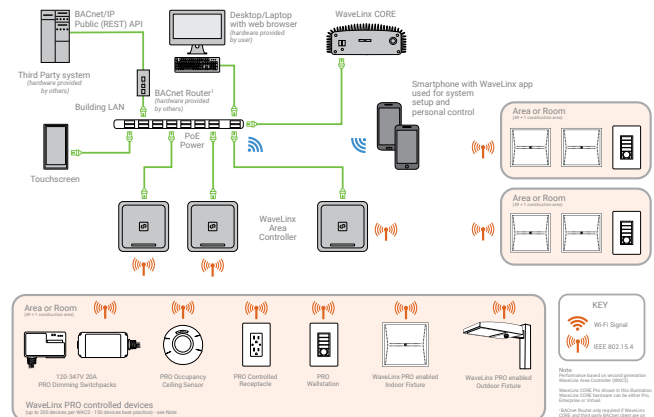
WaveLinX mobile app settings



WaveLinX PRO WPST Tilemount Wiring Diagram



WaveLinX CORE Building Management Integration



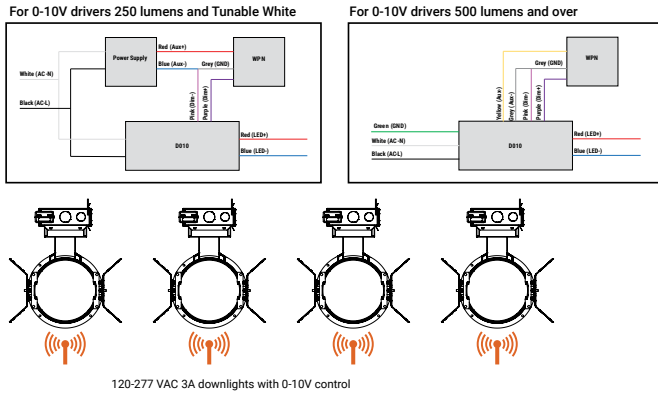
Connected Solutions

WaveLinx PRO Wireless Node - WPN

- WaveLinx Wireless functionality configures zones and customizes settings from one secure mobile app
- Automatic code commissioning that meets the strictest codes
- Fixtures and sensors integrate with WaveLinx Area Controller, Wall Stations, and Control Devices
- Stand-Alone Offices or Entire Building Network Installations



WaveLinx PRO Wireless Node (WPN) Wiring Diagram



WaveLinx CORE Building Management Integration

