

Project		Catalog #		Type	
Prepared by		Notes		Date	



## Portfolio

### LSR1B/LSSQ1B Cylinders

1" LED Round and Square Cylinder

#### Typical Applications

Office • Education • Healthcare • Hospitality • Retail • Residential

#### Interactive Menu

- Order Information [page 2](#)
- Product Specifications [page 2](#)
- Photometric Data [page 3](#)
- Product Warranty

#### Product Certification



#### Product Features



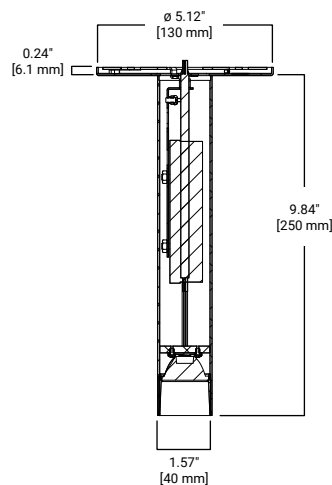
#### Top Product Features

- 800 lumens; Offered in 90 CRI;; Downlight
- Round or square surface-mount cylinders; Ceiling, or cord mount
- Extruded aluminum housing; Matte Black, White, Bronze and Silver paint finishes
- 4 color temperatures: 2700K, 3000K, 3500K, and 4000K CCT

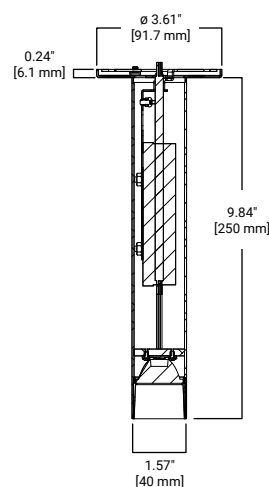
#### Dimensional and Mounting Details

additional product diagrams

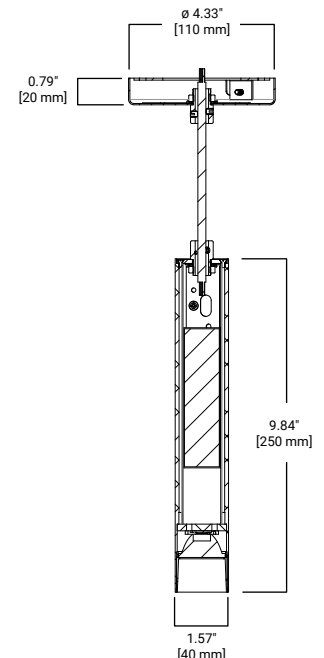
1IN ROUND CYLINDER SURFACE MOUNT



1IN ROUND CYLINDER SURFACE MOUNT SMALL CANOPY



1IN ROUND CYLINDER CORD MOUNT



## Order Information

SAMPLE ORDER NUMBER: **LSR1B08209027D010TEPMW**

Housing	Lumens	Distribution	CRI	CCT	Driver	Finish	Reflector Finish
<b>LSR1B</b> = 1-inch round surface mount <b>LSSQ1B</b> = 1-inch square surface mount <b>LSRSC1B</b> = 1-inch round surface mount, small canopy <b>LSSQSC1B</b> = 1-inch square surface mount, small canopy <b>LSRP1B</b> = 1-inch round cord mount (10'), standard canopy <b>LSSQP1B</b> = 1-inch square cord mount (10'), standard canopy	<b>08</b> = 800 lumens	<b>20</b> = 20° <b>35</b> = 35° <b>50</b> = 50°	<b>90</b> = 90 CRI	<b>27</b> = 2700K <b>30</b> = 3000K <b>35</b> = 3500K <b>40</b> = 400K	<b>D010TE</b> = 120-277V 0-10V 1% dimming	<b>P</b> = Matte White <b>MB</b> = Matte Black <b>SL</b> = Silver	<b>MW</b> = Matte White <b>MMS</b> = Matte Metallic Silver <b>SB</b> = Specular Black
<b>Notes</b>	<b>Notes</b>	<b>Notes</b>			<b>Notes</b>	<b>Notes</b>	<b>Notes</b>

## Product Specifications

### Lower Reflector

- Factory installed with round or square aperture
- Offered in matte white, matte metallic silver or specular black

### Cylinder

- Round or square extruded aluminum
- Matte white, silver or matte black

### Mounting

- Mounting plate installs to 3-inch or 4-inch junction box
- Cylinder mounts to canopy with easy twist and lock hooks with set screw

### Optics

- Molded TIR optic in 20°, 35°, and 50° distributions providing a smooth beam without color separation

### Thermal

- Extruded aluminum cylinder conducts heat away from the LED module for optical performance and longer life

### LED System

- Contains a plurality of high brightness white LED's combined with high reflectance upper reflector producing even distribution with no pixilation
- Rated for 50,000 hours at 70% lumen maintenance
- Color variation within 3-step MacAdam ellipses
- Available in 2700K, 3000K, 3500K, and 4000K correlated color temperature (CCT)
- 90CRI

### Driver

- Standard 120-277V 0-10V/120V leading edge combination dimming driver provides flicker-free dimming from 100% to 1%

### Compliance

- Cord mount cULus Listed for damp locations
- Surface mount cULus Listed for protected damp locations
- EMI/RFI emissions per FCC 47CFR Part 18 Class B consumer limits
- RoHS compliant
- Photometric testing completed in accordance with IES LM-79
- LED life testing completed in accordance with IES LM-80 standards

### Warranty

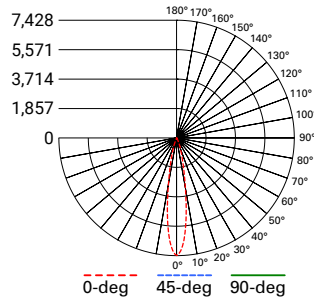
- Five-year warranty

## Energy Data

800 Lumen D010TE	
Input Power: 16.31W	THD: ≤20%
120V Input Current: 0.138A	277V Input Current: 0.064

## Photometric Data

LSR1B0820 - 20° Spot	
Test Number	P436675
Housing	LSR1B08209035D010TEMWxx
Lumens	1042 Lm
Watts	16.5 W
Efficacy	63.2 Lm/W
CCT	3500K
SC	0.3 / 0.3 / 0.32
UGR	10



CONE OF LIGHT				
Horizontal				
MH	FC	L	W	
5.5'	245.6	1.6	1.6	
7'	151.6	2	2	
8'	116.1	2.4	2.4	
9'	91.7	2.6	2.6	
10'	74.3	3	3	
12'	51.6	3.6	3.6	

CONE OF LIGHT				
Horizontal				
MH	FC	L	W	CB
5.5'	162.2	2.1	1.8	3.2
7'	100.1	2.6	2.4	4
8'	76.7	3.1	2.6	4.6
9'	60.6	3.5	3	5.2
10'	49.1	3.9	3.4	5.8
12'	34.1	4.7	4	6.9

CONE OF LIGHT				
Vertical				
D	FC	L	W	CB
1'	1131.9	0.9	0.4	1.7
2'	283	1.8	1	3.5
3'	125.8	2.8	1.6	5.2
4'	70.7	3.8	2.2	6.9
5'	45.3	4.8	2.6	8.7
6'	31.4	5.7	3.2	10.4

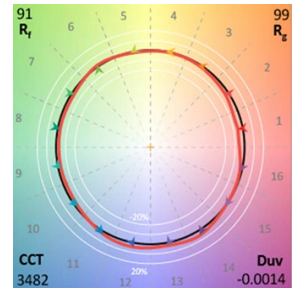
CANDELA TABLE	
Degrees Vertical	Candela
0	7428
5	5993
15	1346
25	183
35	31
45	20
55	17
65	13
75	8
80	5

ZONAL LUMEN SUMMARY		
Zone	Lumens	% Fixture
0-30	967	92.8
0-40	987	94.7
0-60	1018	97.7
0-90	1042	100
90-180	0	0
0-180	1042	100

LUMINANCE	
Average Candela Degrees	Average 0° Luminance
45	55541
55	57461
65	58839
75	64052
85	70196

TM-30-15	Rf = 91
	Rg = 99
CRI/CIE	Ra = 92.4
	R9 = 61.2

CCT - Range of 2700K- 4000K

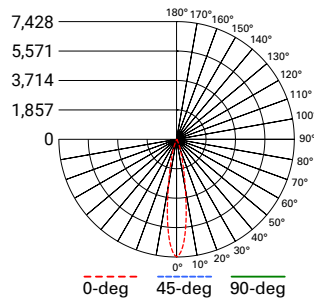


### CCT Multipliers – 90CRI

2700K	3000K	3500K	4000K
0.956	0.962	1.000	1.036

Multipliers for relative lumen values with other color temperatures.

LSR1B0820 - 20° Spot	
Test Number	P436678
Housing	LSR1B08359035D010TEMWxx
Lumens	1032 Lm
Watts	16.5 W
Efficacy	62.5 Lm/W
CCT	3500K
SC	0.58 / 0.58 / 0.55
UGR	10



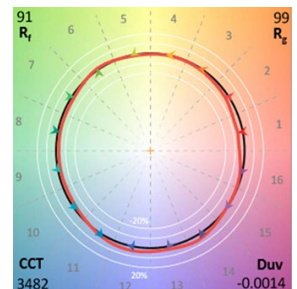
CONE OF LIGHT				
Horizontal				
MH	FC	L	W	
5.5'	92	3	3	
7'	56.8	4	4	
8'	43.5	4.6	4.6	
9'	34.3	5	5	
10'	27.8	5.6	5.6	
12'	19.3	6.8	6.8	

CONE OF LIGHT				
Horizontal				
MH	FC	L	W	CB
5.5'	65.5	3.6	3.4	3.2
7'	40.4	4.6	4.4	4
8'	31	5.3	5	4.6
9'	24.5	5.9	5.6	5.2
10'	19.8	6.6	6.2	5.8
12'	13.8	8	7.6	6.9

CONE OF LIGHT				
Vertical				
D	FC	L	W	CB
1'	627.7	1	0.8	1.7
2'	156.9	2.1	1.6	3.5
3'	69.7	3.1	2.4	5.2
4'	39.2	4.2	3.4	6.9
5'	25.1	5.2	4.2	8.7
6'	17.4	6.3	5	10.4

TM-30-15	Rf = 91
	Rg = 99
CRI/CIE	Ra = 92.4
	R9 = 61.2

CCT - Range of 2700K- 4000K



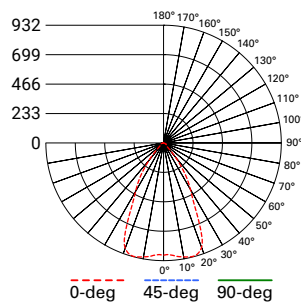
### CCT Multipliers – 90CRI

2700K	3000K	3500K	4000K
0.956	0.962	1.000	1.036

Multipliers for relative lumen values with other color temperatures.

## Photometric Data

LSR1B0820 - 50° Flood	
Test Number	P436681
Housing	LSR1B08509035D010TEMWxx
Lumens	964 Lm
Watts	16.5 W
Efficacy	58.4 Lm/W
CCT	3500K
SC	0.96 / 0.96 / 0.9
UGR	10



CONE OF LIGHT					CONE OF LIGHT					CONE OF LIGHT				
					Horizontal					Vertical				
MH	FC	L	W		MH	FC	L	W	CB	D	FC	L	W	CB
5.5'	29.5	5.2	5.2		5.5'	28.3	4.4	5	3.2	1'	405.9	0.8	1	1.7
7'	18.2	6.6	6.6		7'	17.5	5.6	6.6	4	2'	101.5	1.7	2	3.5
8'	14	7.6	7.6		8'	13.4	6.4	7.4	4.6	3'	45.1	2.5	3	5.2
9'	11	8.6	8.6		9'	10.6	7.3	8.4	5.2	4'	25.4	3.4	4	6.9
10'	8.9	9.6	9.6		10'	8.6	8.1	9.4	5.8	5'	16.2	4.3	5	8.7
12'	6.2	11.4	11.4		12'	6	9.7	11.2	6.9	6'	11.3	5.1	6.2	10.4

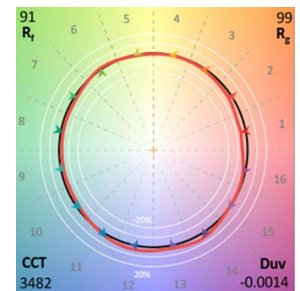
CANDELA TABLE	
Degrees Vertical	Candela
0	893
5	897
15	932
25	648
35	305
45	60
55	31
65	25
75	15
80	9

ZONAL LUMEN SUMMARY			
Zone	Lumens	% Fixture	
0-30	645	66.9	
0-40	832	86.3	
0-60	918	95.3	
0-90	964	100	
90-180	0	0	
0-180	964	100	

LUMINANCE	
Average Candela Degrees	Average 0° Luminance
45	166344
55	108040
65	117212
75	111328
85	95104

TM-30-15	Rf = 91
	Rg = 99
CRI/CIE	Ra = 92.4
	R9 = 61.2

CCT - Range of 2700K- 4000K



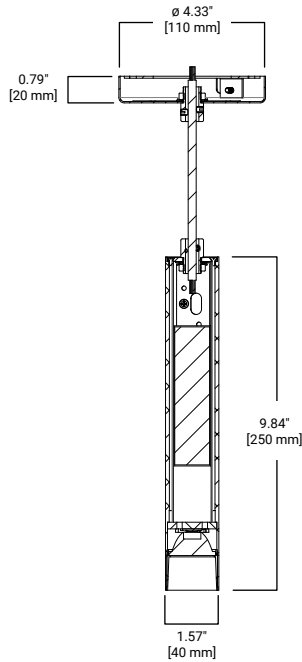
### CCT Multipliers – 90CRI

2700K	3000K	3500K	4000K
0.956	0.962	1.000	1.036

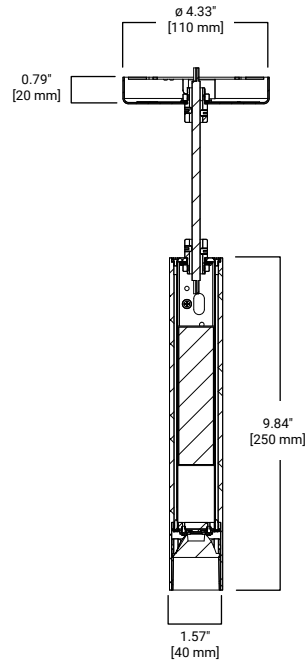
Multipliers for relative lumen values with other color temperatures.

## Dimensional and Mounting Details

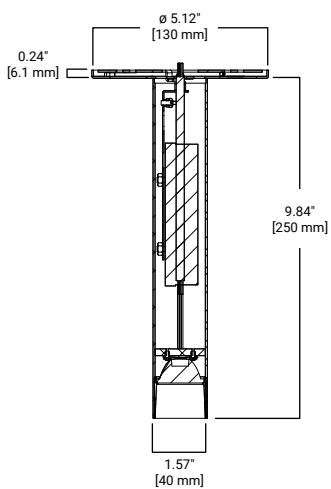
1IN ROUND CYLINDER  
CORD MOUNT



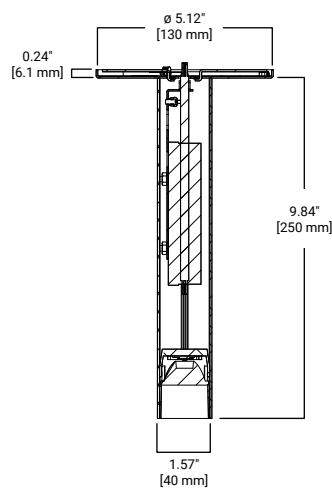
1IN SQUARE CYLINDER  
CORD MOUNT



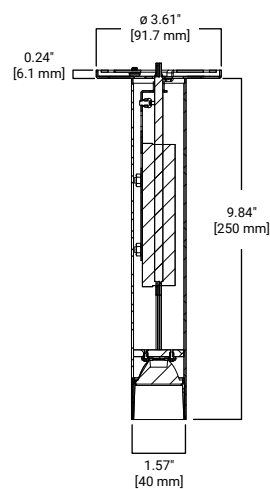
1IN ROUND CYLINDER  
SURFACE MOUNT



1IN SQUARE CYLINDER  
SURFACE MOUNT



1IN ROUND CYLINDER  
SURFACE MOUNT  
SMALL CANOPY



1IN SQUARE CYLINDER  
SURFACE MOUNT  
SMALL CANOPY

