

Project		Catalog #		Type	
Prepared by		Notes		Date	



Portfolio

LER6B/LESQ6B/LSRYM6B/ LSSQYM6B Cylinders

LER6B/LESQ6B
LED 6" Round and Square Cylinders
Downlight and Directional

Typical Applications

Office • Education • Healthcare • Hospitality • Retail • Residential

Interactive Menu

- Order Information page 2
- Product Specification page 4
- Energy Data page 4
- Photometric Data page 5
- Connected Systems page 12
- Product Warranty

Product Certification



Product Features

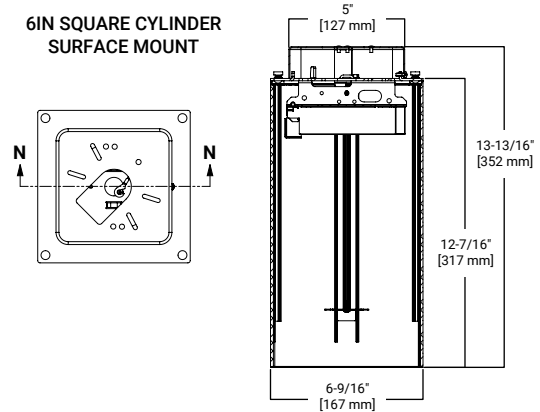
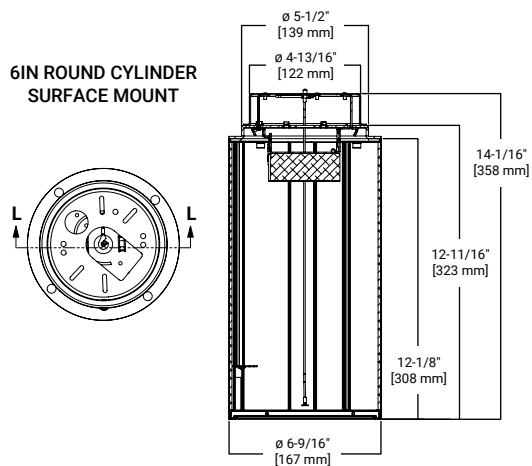


Top Product Features

- 500 to 6,000 lumens; Offered in 80, 90 and 97 CRI; Downlight
- Round or square surface-mount cylinders; Ceiling, wall, stem, up/down, yoke mount adjustable, LuxWire power over cable
- Extruded aluminum housing; Matte Black, White, Bronze and Silver paint finishes
- 6 color temperatures: 2400K, 2700K, 3000K, 3500K, 4000K and 5000K CCT; D2W™ option from 3000K to 1850K
- W2N Tunable White 2700K-6500K or 2000K-5000K
- Downlight or 30° adjustable reflector
- Options to meet Trade Agreements Act requirements

Dimensional and Mounting Details

additional product diagrams



Order Information

SAMPLE ORDER NUMBER: **LER6B10D010TRP**

Domestic Preferences	Cylinder	Lumens	Voltage	Driver	Remote	Finish
Domestic Preferences ⁽³⁶⁾	Cylinder	Lumens ⁽¹¹⁾	Voltage	Driver	Remote ⁽⁹⁾	Finish ⁽¹¹⁾
[Blank] =Standard TAA =Trade Agreements Act	Ceiling surface mount LER6B =6-inch round surface mount LESQ6B = 6-inch square surface mount square aperture ⁽¹⁾ LESQR6B = 6-inch square surface mount round aperture ⁽²⁾ LESQSMS6B = 6-inch square surface mount square aperture with surface mount conduit canopy ⁽¹⁾ LESQRSM6B = 6-inch square surface mount, round aperture with surface mount conduit canopy ⁽²⁾ LERHYT6B = 6-inch round surface ceiling mount for use with wide distribution hyperbolic ⁽²⁸⁾ LERHYTN6B = 6-inch round surface ceiling mount for use with narrow distribution hyperbolic ⁽²⁹⁾ Wall mount LERWM6B = 6-inch round wall mount LERUD6B = 6-inch round wall mount up/down ⁽⁴⁾ LESQWM6B = 6-inch square wall mount square aperture ⁽¹⁾ LESQRWM6B = 6-inch square wall mount round aperture ⁽²⁾ LESQUD6B = 6-inch square wall mount up/down square aperture ⁽³⁾ LESQRUD6B = 6-inch square wall mount up/down round aperture ⁽⁴⁾ LuxWire aircraft cable LESQUDPC6B = 6-inch up/down square, square opening LuxWire aircraft cable with power 120" ^{(3) (23) (25)} LESQRUDPC6B = 6-inch up/down square, round opening LuxWire aircraft cable with power 120" ^{(4) (23) (25)} LESQPC6B = 6-inch square, square aperture surface mount LuxWire aircraft cable with power 120" ⁽²⁵⁾ LESQRPC6B = 6-inch square with round aperture surface mount LuxWire aircraft cable with power 120" ⁽²⁵⁾ LERPC6B = 6-inch round surface mount LuxWire aircraft cable with power 120" ^{(25) (26)} LERSUDPC6B = 6-inch up/down round aircraft cable with power 120" ^{(4) (23)} Yoke mount LERYM6B = 6-inch round yoke mount ⁽²⁶⁾ LESQYM6B = 6-inch square yoke mount square aperture ^{(1) (26)} LESQRYM6B = 6-inch square yoke mount round aperture ^{(2) (26)}	05 =500 lumens ⁽³⁴⁾ 10 =1000 lumens 15 =1500 lumens 20 =2000 lumens 30 =3000 lumens 40 =4000 lumens 50 =5000 lumens ⁽⁵⁾ 60 =6000 lumens ⁽⁵⁾	blank =120-277V 3 =347V ⁽⁶⁾	4000 lumen and below D010 =0-10V Dimming, 1% to 100%, 120V-277V D010TR =0-10V (120-277V) or line voltage (120V) dimming, 5-100% DE010 =0-10V Linear Dimming, 0% to 100%, 120V-277V D5LT =Fifth Light® DALI DT6 Logarithmic Dimming, 0% to 100%, 120V-277V DMX =DMX/RDM Logarithmic Dimming, 0% to 100%, 120V-277V ⁽⁷⁾ DMXC5 =DMX/RDM Logarithmic Dimming, 0% to 100%, 120V-277V, with RJ45 connection ⁽⁷⁾ DL2 =1 to 100% dimming, 120V Lutron H-Lume forward phase dimming DLE =Lutron Ecosystem dimming 1% to 100%, 120-277V DLV =Low Voltage System ⁽⁸⁾ 5000 and 6000 lumens (Remote Driver) D010TE =0-10V (120-277V) 1% or trailing edge (120V) 10 to 100% dimming Tunable White 1000-2000 Lumens⁽²⁴⁾ DE010W2N2765 =0-10V dimming, 0% to 100%, 120-277V, 2700K-6500K DE010W2N2050 =0-10V dimming, 0% to 100%, 120-277V, 2000K-5000K D5LTW2N2765 =Fifth Light DALI DT6 Logarithmic Dimming, 0% to 100%, 120V-277V, 2700K-6500K D5LTW2N2050 =Fifth Light DALI DT6 Logarithmic Dimming, 0% to 100%, 120V-277V, 2000K-5000K	blank =Integral driver R =Remote driver ⁽¹⁰⁾	P =White MB =Matte Black SL =Silver BZ =Bronze

SAMPLE ORDER NUMBER: **EC6B10208035**

Domestic Preferences	Power Module	Lumen Levels	Color	
Domestic Preferences ⁽³⁶⁾	Power Module	Lumen Levels ⁽¹⁷⁾	Color	
[Blank] =Standard TAA =Trade Agreements Act	EC6B =6-inch cylinder light engine ECA6B =6-inch cylinder adjustable light engine	1020 =1000, 1500, or 2000 Lumens 3050 =3000, 4000, 5000 Lumens 6000 =6000 Lumens 1040 =1000, 1500, 2000, 3000 or 4000 Lumens ⁽¹⁸⁾	80 CRI 8027 = 80CRI, 2700K 8030 = 80CRI, 3000K 8035 = 80CRI, 3500K 8040 = 80CRI, 4000K 8050 = 80CRI, 5000K 90 CRI 9024 = 90CRI, 2400K 9027 = 90CRI, 2700K 9030 = 90CRI, 3000K 9035 = 90CRI, 3500K 9040 = 90CRI, 4000K 9050 = 90CRI, 5000K 97 CRI 9727 = 97CRI, 2700K 9730 = 97CRI, 3000K	Dim 2 Warm 109030D2W =1000 Lumen, 90 CRI, Dim 2 Warm, IC Rated 159030D2W =1500 Lumen, 90 CRI, Dim 2 Warm, IC Rated 209030D2W =2000 Lumen, 90 CRI, Dim 2 Warm, IC Rated 309030D2W =3000 Lumen, 90 CRI, Dim 2 Warm W2N Tunable White⁽²⁴⁾ 1020W2N902050 =1000, 1500, 2000 lumens, 90 CRI, tunable white 2000K-5000K 1020W2N902765 =1000, 1500, 2000 lumens, 90 CRI, tunable white 2700K-6500K

SAMPLE ORDER NUMBER: **6LBM3LI**

Domestic Preferences	Trim	Distribution	Flange	Finish
Domestic Preferences ⁽³⁶⁾	Trim	Distribution ⁽¹⁹⁾	Flange	Finish
[Blank] =Standard TAA =Trade Agreements Act ⁽³⁷⁾	6LB =6" Reflector 6LBHYT = Wide beam hyperbolic (22° cutoff) ⁽³⁰⁾ 6LBHYTN = Narrow beam hyperbolic (17° cutoff) ⁽³¹⁾ 6LBA = 0-30° directional ⁽³⁵⁾	N =Narrow (30° Beam), Spun Aluminum M =Medium (50° Beam), Spun Aluminum W =Wide (75° Beam), Spun Aluminum S =Shallow (75° Beam), Spun Aluminum CS =Cast Shallow (75° Beam), Die Cast Aluminum SW =Single Wall Wash, Spun Aluminum DW =Double Wall Wash, Spun Aluminum SQ3 =Square anodized aluminum CSSQ3 =Square shallow die cast	3 =Rimless 3 =Rimless	L =Specular Clear ⁽²⁰⁾ H =Semi-Specular Clear ⁽²⁰⁾ WMH =Warm Haze ⁽²⁰⁾ WH =Wheat ⁽²⁰⁾ GPH =Graphite Haze ⁽²⁰⁾ B =Specular Black ⁽²⁰⁾ MW =Matte White MB =Matte Black ⁽²¹⁾ MMS =Matte Metallic Silver ⁽²¹⁾ MW =Matte White MB =Matte Black MMS =Matte Metallic Silver

Notes

- Square reflector
- Round reflector
- Square reflector, requires two reflectors and light engines
- Round reflector, requires two reflectors and light engines
- Remote only
- 347V integral D010 only.
- DMX fixtures default to full on upon loss of DMX signal
- Limited to 3000 Lumens
- Up down surface mount require 2 driver assemblies
- Order remote driver separately. See below to order.
- Consult factory for custom finishes.
- Nominal Lumens will vary depending on selected color, driver and reflector finish.
- No D2W or W2N versions
- Beam angles are nominal with LI finish trims
- Anodized or spun reflectors

- Die cast only
- LuxWire limited to 3000 lumens
- W2N not compatible with LuxWire.
- Canopy mount driver available for all drivers except DMX, omit R in ordering information
- Ceiling mount only
- Order with 6LBHYT trim
- Order with 6LBHYTN trim
- Order with LERHYT6B cylinder
- Order with LERHYTN6B cylinder
- Limited to D010 drivers
- Order with ECA6B light engine
- Only product configurations with this designated prefix are built to be compliant with the Trade Agreements Act of 1979 (TAA). Please refer to [DOMESTIC PREFERENCES](#) website for more information. Components shipped separately may be separately analyzed under domestic preference requirements. Accessories sold separately will be separately analyzed under domestic preference requirements. Consult factory for further information.
- Spun aluminum only.

Product Specifications

Lower Reflector

- Painted die-cast aluminum or spun aluminum lower reflector with a lensed upper optical chamber provides superior lumen output with minimal source brightness
- Square surface mount available with square or round reflectors
- Spun reflectors are available in all Portfolio finishes
- Directional with baffle tilts from 0-30°

Trim retention

- Two torsion springs hold flange tightly to the cylinder lip

Cylinder

- Shallow round and soft square extruded aluminum
- Matte white, bronze, silver or matte black
- Available in standard and shallow heights
- Consult factory for custom finishes
- Yoke mount provides +/-45° lockable tilt

Mounting

- Mounting plate installs to mounted junction box
- Cylinder mounts to plate with easy twist and lock hooks for ceiling mount
- For wall mount, mounting arm attaches directly to junction box via a robust mounting plate
- Offered with optional stem and aircraft cable
- LuxWire™ provides low voltage power to the cylinder via aircraft cable
- Conduit canopy allows for mounting pendant and surface cylinder on hard ceilings provided in painted finish to match the cylinder accommodates ½" or ¾" conduit.

Thermal

- Aluminum heat sink conducts heat away from the LED module for optical performance and longer life

LED System

- Contains a plurality of high brightness white LED's combined with high reflectance upper reflector and convex transitional lens producing even distribution with no pixilation
- Lumen output shall not decrease by more than 10% over the minimum life of 55,000 hours (L90 > 55,000 hours)
- Color variation within 2-step MacAdam ellipses
- Quick disconnect allows for tool-less replacement of LED engine from below ceiling
- Available in 2400K, 2700K, 3000K, 3500K, 4000K and 5000K correlated color temperature (CCT)
- Available in 80, 90 or 97 color rendering index (CRI)

VividTune™ Color Tuning Solutions

- D2W™ – Dim-to-Warm shifts CCT from 3000K to 1850K as fixture dims, mimicking halogen sources
- W2N – Tunable white CCT range from 2700K to 6500K or 2000K to 5000K; 90 CRI

Driver

- Standard 120-277V 0-10V dimming driver provides flicker-free dimming from 100% to 1%
- Optional 120V leading edge, <1% 0-10V, Fifth Light, DMX or Lutron®
- Remote driver option up to 100' based on driver selection
- Distributed low voltage power system combines power, lighting, and controls with ease of installation.

Connected Lighting System Options

Two WaveLinx connected systems to choose from. Refer to WaveLinx system specifications and application guides for details.

WaveLinx Wireless System Tilemount Sensor Kit

- WaveLinx Wireless WTA tile mount sensor kit offers daylight dimming, PIR motion sensing, scene and zone configuration, automatic commissioning; and optional RLTS - Real Time Location Services available.

WaveLinx Lite System Tilemount Sensor Kit

- WaveLinx Lite WTK tile mount sensor kit offers daylight dimming and PIR motion sensing, scene and grouping configuration.

WaveLinx Tilemount Kits Application

- The WTA and WTK tilemount kits include a control module mounted on the luminaire junction box via 1/2" knock-out, and a tilemount sensor on 54-inch whip; for ceiling installation by direct-mount spring clips or via mounting bracket in octagon ceiling boxes.
- The WTA and WTK tilemount kits may be ordered as factory installed on the luminaire, or ordered separately as a field installed accessory kit.

Compliance

- Pendant mount cULus Listed for damp locations
- Ceiling mount cULus Listed for wet locations and IP66 compliant in covered ceiling
- Wall mount cULus Listed for wet locations and IP66 compliant, requires lens accessory for up/down wall mount
- EMI/RFI emissions per FCC 47CFR Part 18 Class B consumer limits
- RoHS compliant
- Photometric testing completed in accordance with IES LM-79
- LED life testing completed in accordance with IES LM-80 standards

Warranty

- Five-year warranty

Energy Data

ENERGY DATA
Sound Rating: Class A standards
(Values at non-dimming line voltage)
Minimum Starting Temperature: -30°C (-22°F)
EMI/RFI: FCC Title 47 CFR, Part 15, Class B (Consumer)
Input Voltage: UNV (120V - 277V)
Power Factor: >0.90 (at nominal input 120-277 VAC & 100% of Rated Output Power)
Input Frequency: 50/60Hz

Lumens	120V		277V	
	Inrush (A)	Duration (ms)	Inrush (A)	Duration (ms)
1000 Lumen D010	1.02	0.041	2.18	0.021
1500 Lumen D010	1.02	0.042	2.24	0.064
2000 Lumen D010	1.02	0.077	2.43	0.027
3000 Lumen D010	1.15	0.067	3.26	0.027
4000 Lumen D010	1.2	0.088	3.9	0.03

1000 Lumen D010	
Input Power: 11W	THD <14%
Input Current: 0.09A	277V Input Current: 0.04A

1500 Lumen D010	
Input Power: 15.5W	THD <13%
Input Current: 0.13A	277V Input Current: 0.06A

2000 Lumen D010	
Input Power: 21.2 W	THD <9%
Input Current: 0.18A	277V Input Current: 0.08A

3000 Lumen D010	
Input Power: 27.6 W	THD <10%
Input Current: 0.23A	277V Input Current: 0.10A

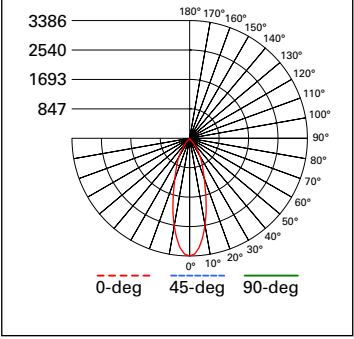
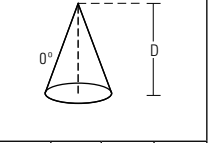
4000 Lumen D010	
Input Power: 41.6 W	THD <13%
Input Current: 0.35A	277V Input Current: 0.15A

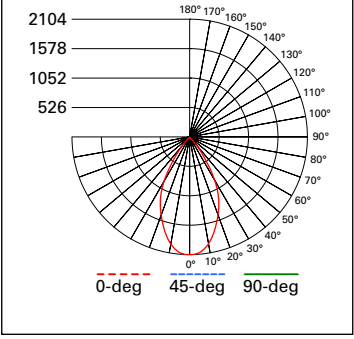
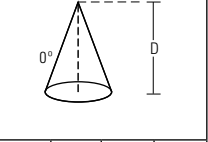
5000 Lumen D010	
Input Power: 52.5 W	THD <12%
Input Current: 0.44A	277V Input Current: 0.19A

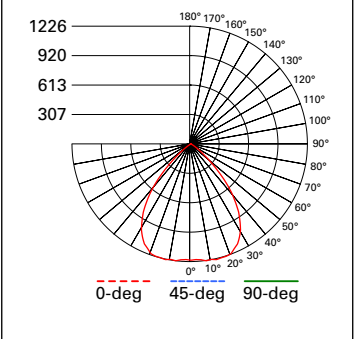
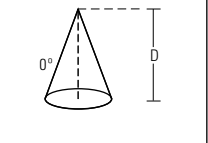
6000 Lumen D010	
Input Power: 59.7 W	THD <14%
Input Current: 0.50A	277V Input Current: 0.22A

Photometric Data

 View IES files

NARROW		CANDLEPOWER DISTRIBUTION	CONE OF LIGHT	CANDELA TABLE	ZONAL LUMEN SUMMARY	LUMINANCE				
Test Number	P407602			Degrees Vertical	Candela	Zone	Lumens	% Fixture	Average Candela Degrees	Average 0° Luminance
Housing	LER6B15D010			0	3386	0-30	1200	80.4	45	845
Module	EC6B10208035			5	3158	0-40	1437	96.2	55	94
Trim	6LBN3LI			15	1836	0-60	1492	99.9	65	31
Lumens	1494			25	885	0-90	1494	100	75	0
Efficacy	104.5 Lm/W			35	374	90-180	0	0	85	0
SC	0.535	45	55	0-180	1494	100				
UGR	11	55	5							
		65	1							
		75	0							
		85	0							
		90	0							
				MH	FC	L	W			
				5.5'	111.9	2.8	2.8			
				7'	69.1	3.6	3.6			
				8'	52.9	4.2	4.2			
				9'	41.8	4.6	4.6			
				10'	33.9	5.2	5.2			
				12'	23.5	6.2	6.2			

MEDIUM		CANDLEPOWER DISTRIBUTION	CONE OF LIGHT	CANDELA TABLE	ZONAL LUMEN SUMMARY	LUMINANCE				
Test Number	P407601			Degrees Vertical	Candela	Zone	Lumens	% Fixture	Average Candela Degrees	Average 0° Luminance
Housing	LER6B15D010			0	2104	0-30	1237	73.6	45	1449
Module	EC4B10208035			5	2076	0-40	1581	94	55	162
Trim	6LBM3LI			15	1732	0-60	1676	99.7	65	108
Lumens	1681			25	1241	0-90	1681	100	75	88
Efficacy	117.6 Lm/W			35	538	90-180	0	0	85	0
SC	0.85	45	95	0-180	1681	100				
UGR	12	55	9							
		65	4							
		75	2							
		85	0							
		90	0							
				MH	FC	L	W			
				5.5'	69.6	4.6	4.6			
				7'	42.9	5.8	5.8			
				8'	32.9	6.6	6.6			
				9'	26	7.6	7.6			
				10'	21	8.4	8.4			
				12'	14.6	10	10			

WIDE		CANDLEPOWER DISTRIBUTION	CONE OF LIGHT	CANDELA TABLE	ZONAL LUMEN SUMMARY	LUMINANCE				
Test Number	P407603			Degrees Vertical	Candela	Zone	Lumens	% Fixture	Average Candela Degrees	Average 0° Luminance
Housing	LER6B15D010			0	1204	0-30	981	51.7	45	6043
Module	EC6B10208035			5	1204	0-40	1509	79.5	55	1320
Trim	6LBW3LI			15	1219	0-60	1888	99.4	65	190
Lumens	1899			25	1141	0-90	1899	100	75	105
Efficacy	132.8 Lm/W			35	859	90-180	0	0	85	0
SC	1.23	45	395	0-180	1899	100				
UGR	16	55	70							
		65	7							
		75	2							
		85	0							
		90	0							
				MH	FC	L	W			
				5.5'	39.8	6.6	6.6			
				7'	24.6	8.6	8.6			
				8'	18.8	9.8	9.8			
				9'	14.9	11	11			
				10'	12	12.2	12.2			
				12'	8.4	14.6	14.6			

CCT Multipliers – 90CRI

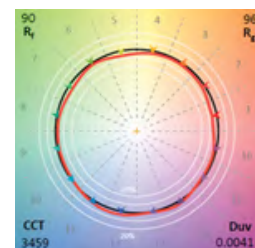
2700K	3000K	3500K	4000K
0.95	0.99	1.00	1.00

Multipliers for relative lumen values with other color temperatures.

Note: Refer to IES files for more product data.

Color Metrics - TM-30-15 & CRI/CIE

TM-30-15	R _f = 90
	R _g = 96
CRI/CIE	R _a = 91.8
	R ₉ = 55.8



Photometric Data

View IES files

WIDE		CANDLEPOWER DISTRIBUTION	CONE OF LIGHT	CANDELA TABLE	ZONAL LUMEN SUMMARY	LUMINANCE				
Test Number	P407600			Degrees Vertical	Candela	Zone	Lumens	% Fixture	Average Candela Degrees	Average 0° Luminance
Housing	LER6B15D010			0	888	0-30	661	34.2	45	45320
Module	EC6B10208035			5	880	0-40	1053	54.5	55	37103
Trim	6LBCS3MMS			15	832	0-60	1721	89	65	25086
Lumens	1933			25	745	0-90	1933	100	75	10385
Efficacy	138 Lm/W	35	628	90-180	0	0	85	898		
SC	1.16	45	491							
UGR	22	55	326							
		65	162							
		75	41							
		85	1							
		90	0							
		MH	FC	L	W					
		5.5'	29.3	6.2	6.2					
		7'	18.1	8	8					
		8'	13.9	9.2	9.2					
		9'	11	10.4	10.4					
		10'	8.9	11.6	11.6					
		12'	6.2	13.8	13.8					

NARROW		CANDLEPOWER DISTRIBUTION	CONE OF LIGHT	CANDELA TABLE	ZONAL LUMEN SUMMARY	LUMINANCE				
Test Number	P407606			Degrees Vertical	Candela	Zone	Lumens	% Fixture	Average Candela Degrees	Average 0° Luminance
Housing	LER6B40D010			0	9645	0-30	3419	80.4	45	2410
Module	EC630408035			5	8994	0-40	4092	96.2	55	268
Trim	6LBN3LI			15	5228	0-60	4249	99.9	65	92
Lumens	4255			25	2521	0-90	4255	100	75	0
Efficacy	101.8 Lm/W	35	1066	90-180	0	0	85	0		
SC	0.53	45	157							
UGR	11	55	14							
		65	4							
		75	0							
		85	0							
		90	0							
		MH	FC	L	W					
		5.5'	318.8	2.8	2.8					
		7'	196.8	3.6	3.6					
		8'	150.7	4.2	4.2					
		9'	119.1	4.6	4.6					
		10'	96.5	5.2	5.2					
		12'	67	6.2	6.2					

MEDIUM		CANDLEPOWER DISTRIBUTION	CONE OF LIGHT	CANDELA TABLE	ZONAL LUMEN SUMMARY	LUMINANCE				
Test Number	P407605			Degrees Vertical	Candela	Zone	Lumens	% Fixture	Average Candela Degrees	Average 0° Luminance
Housing	LER6B40D010			0	5993	0-30	3524	73.6	45	4129
Module	EC6B30408035			5	5913	0-40	4503	94	55	463
Trim	6LBM3LI			15	4933	0-60	4774	99.7	65	313
Lumens	4789			25	3536	0-90	4789	100	75	255
Efficacy	114.6 Lm/W	35	1532	90-180	0	0	85	0		
SC	0.85	45	270							
UGR	12	55	24							
		65	12							
		75	6							
		85	0							
		90	0							
		MH	FC	L	W					
		5.5'	198.1	4.6	4.6					
		7'	122.3	5.8	5.8					
		8'	93.6	6.6	6.6					
		9'	74	7.6	7.6					
		10'	59.9	8.4	8.4					
		12'	41.6	10	10					

CCT Multipliers – 90CRI

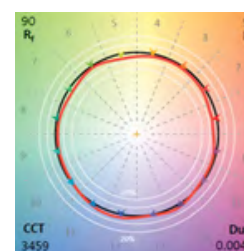
2700K	3000K	3500K	4000K
0.95	0.99	1.00	1.00

Multipliers for relative lumen values with other color temperatures.

Note: Refer to IES files for more product data.

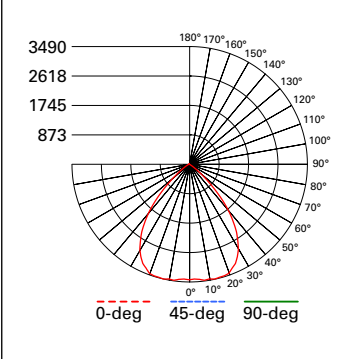
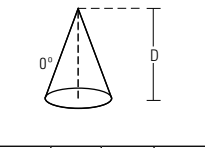
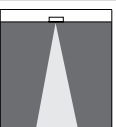
Color Metrics - TM-30-15 & CRI/CIE

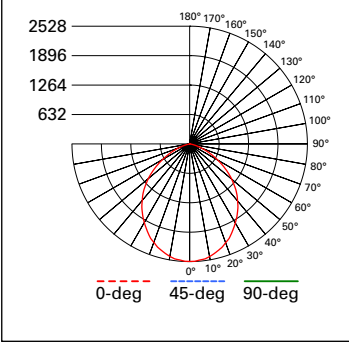
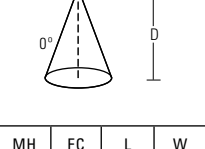
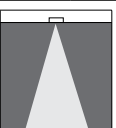
TM-30-15	Rf = 90
	Rg = 96
CRI/CIE	Ra = 91.8
	R9 = 55.8



Photometric Data

 View IES files

WIDE		CANDLEPOWER DISTRIBUTION	CONE OF LIGHT	CANDELA TABLE	ZONAL LUMEN SUMMARY	LUMINANCE				
Test Number	P407607			Degrees Vertical	Candela	Zone	Lumens	% Fixture	Average Candela Degrees	Average 0° Luminance
Housing	LER6B40D010			0	3427	0-30	2794	51.7	45	17211
Module	EC6B30408035			5	3427	0-40	4298	79.5	55	3757
Trim	6LBW3LI			15	3473	0-60	5376	99.4	65	538
Lumens	5408			25	3249	0-90	5408	100	75	293
Efficacy	129.4 Lm/W	35	2447	90-180	0	0	85	0		
SC	1.23	45	1124							
UGR	16	55	199							
		MH	FC	L	W					
		5.5'	113.3	6.6	6.6					
		7'	69.9	8.6	8.6					
		8'	53.6	9.8	9.8					
		9'	42.3	11	11					
		10'	34.3	12.2	12.2					
		12'	23.8	14.6	14.6					

WIDE		CANDLEPOWER DISTRIBUTION	CONE OF LIGHT	CANDELA TABLE	ZONAL LUMEN SUMMARY	LUMINANCE				
Test Number	P407604			Degrees Vertical	Candela	Zone	Lumens	% Fixture	Average Candela Degrees	Average 0° Luminance
Housing	LER6B40D010			0	2528	0-30	1883	34.2	45	21424
Module	EC6B30408035			5	2506	0-40	2999	54.5	55	17541
Trim	6LB3S3MMS			15	2371	0-60	4901	89	65	11858
Lumens	5504			25	2122	0-90	5504	100	75	4916
Efficacy	131.7 Lm/W	35	1787	90-180	0	0	85	435		
SC	1.16	45	1399							
UGR	22	55	929							
		MH	FC	L	W					
		5.5'	83.6	6.2	6.2					
		7'	51.6	8	8					
		8'	39.5	9.2	9.2					
		9'	31.2	10.4	10.4					
		10'	25.3	11.6	11.6					
		12'	17.6	13.8	13.8					

CCT Multipliers – 90CRI

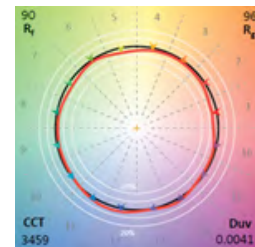
2700K	3000K	3500K	4000K
0.95	0.99	1.00	1.00

Multipliers for relative lumen values with other color temperatures.

Note: Refer to IES files for more product data.

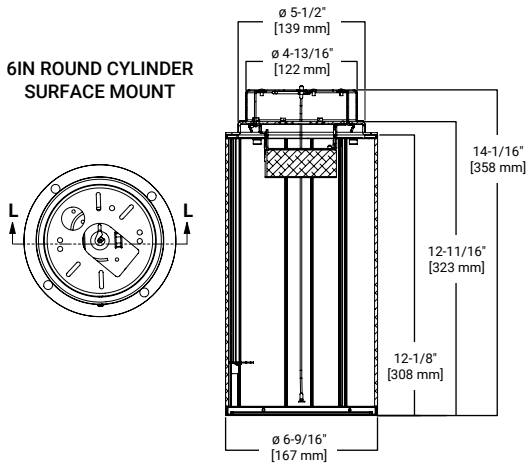
Color Metrics - TM-30-15 & CRI/CIE

TM-30-15	Rf = 90
	Rg = 96
CRI/CIE	Ra = 91.8
	R9 = 55.8

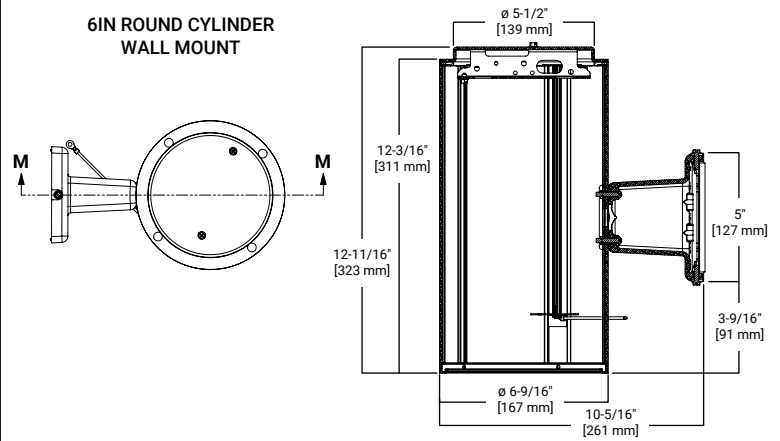


Dimensional and Mounting Details

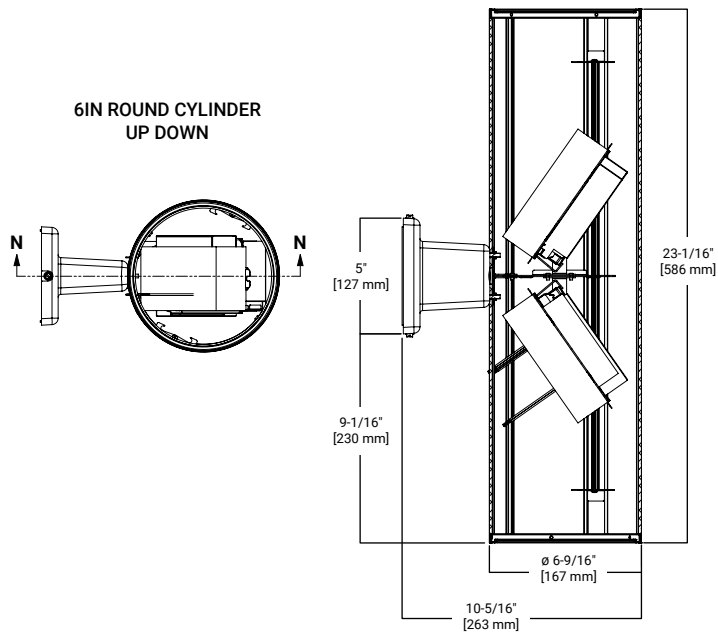
6IN ROUND CYLINDER
SURFACE MOUNT



6IN ROUND CYLINDER
WALL MOUNT

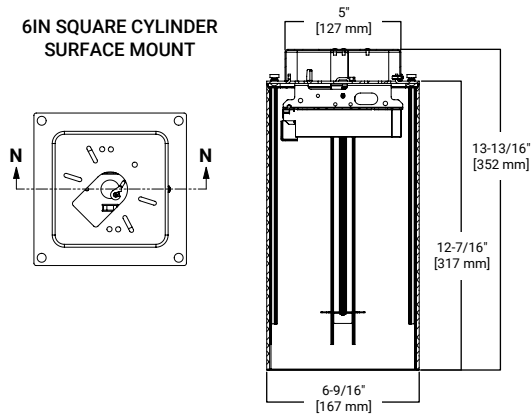


6IN ROUND CYLINDER
UP DOWN

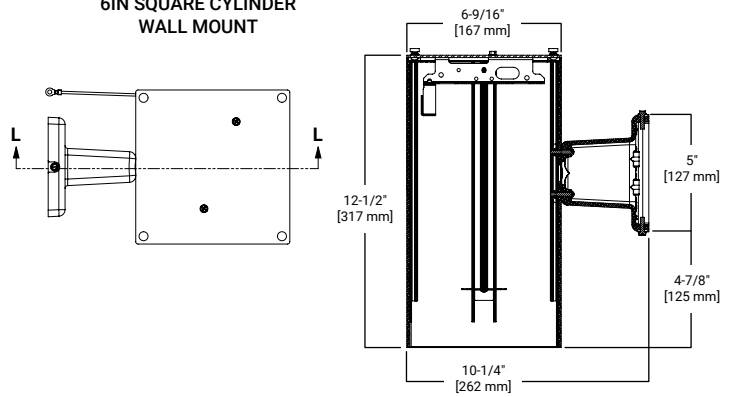


Dimensional and Mounting Details

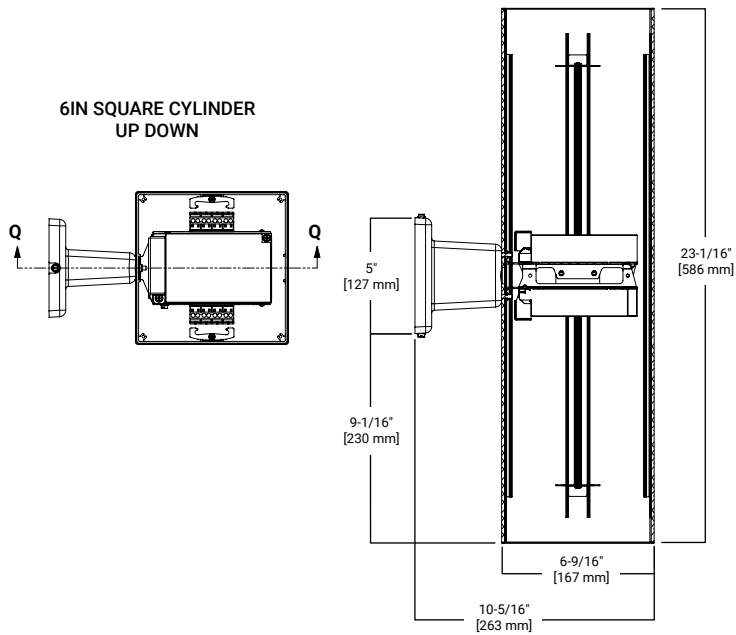
6IN SQUARE CYLINDER
SURFACE MOUNT



6IN SQUARE CYLINDER
WALL MOUNT

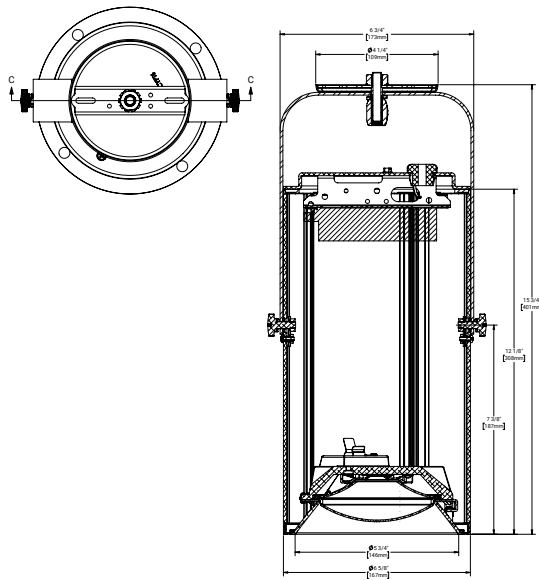


6IN SQUARE CYLINDER
UP DOWN

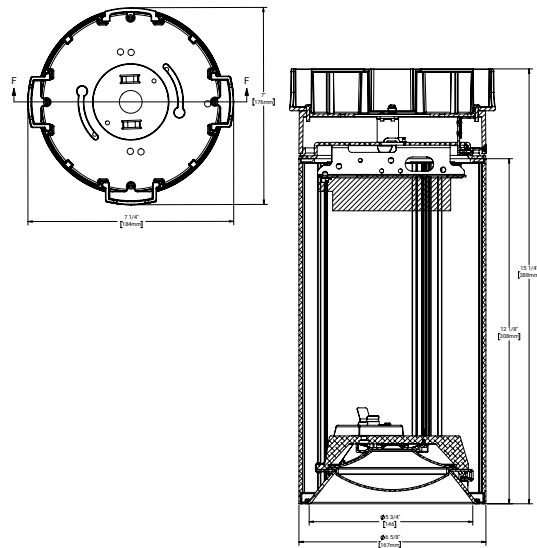


Dimensional and Mounting Details

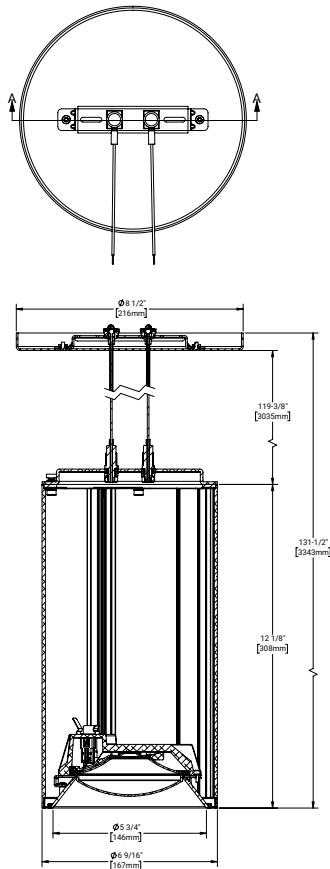
6IN ROUND CYLINDER
STANDARD YOKE MOUNT



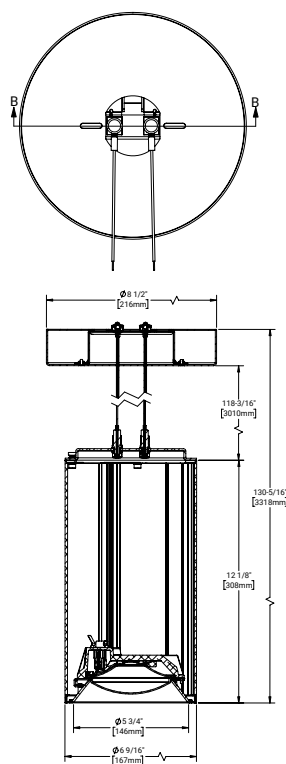
6IN ROUND CYLINDER
CONDUIT CANOPY



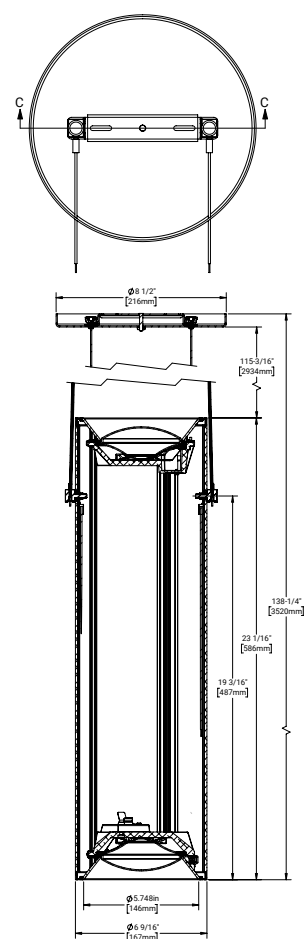
6IN ROUND CYLINDER
POWER CORD PENDANT



6IN ROUND CYLINDER
POWER CORD PENDANT DRIVER

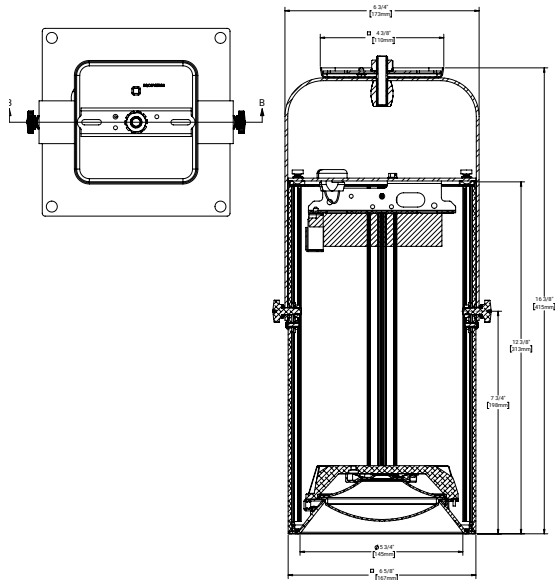


6IN ROUND CYLINDER
STANDARD POWER CORD UP DOWN PENDANT

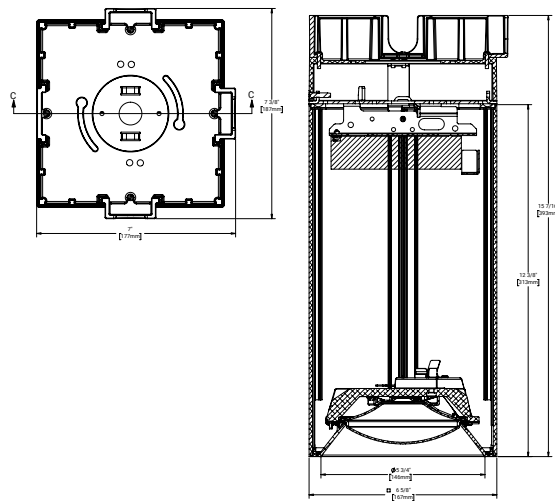


Dimensional and Mounting Details

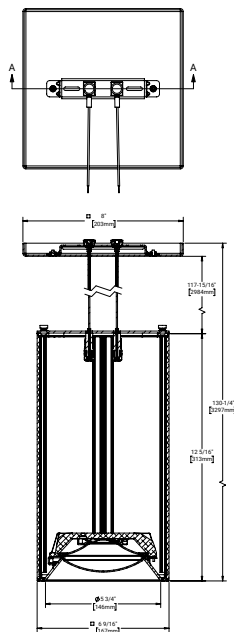
6IN SQUARE CYLINDER
STANDARD YOKE MOUNT



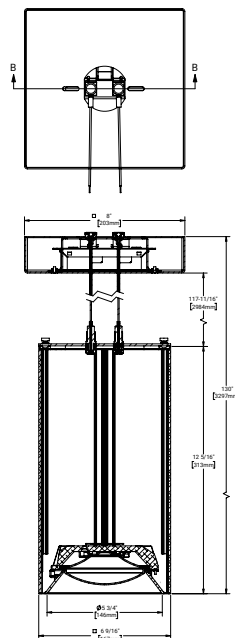
6IN SQUARE CYLINDER
CONDUIT CANOPY



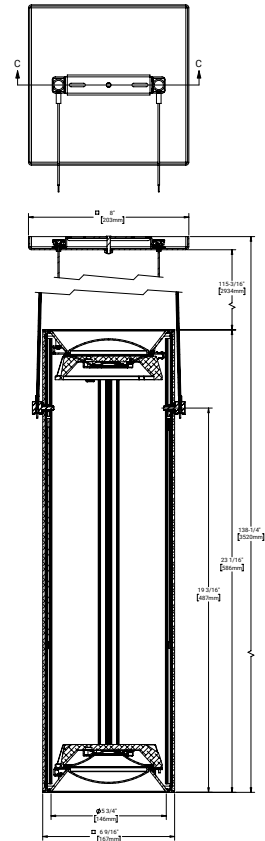
6IN SQUARE CYLINDER
POWER CORD PENDANT



6IN SQUARE CYLINDER
POWER CORD PENDANT DRIVER



6IN SQUARE CYLINDER STANDARD
POWER CORD UP DOWN PENDANT



Connected Systems

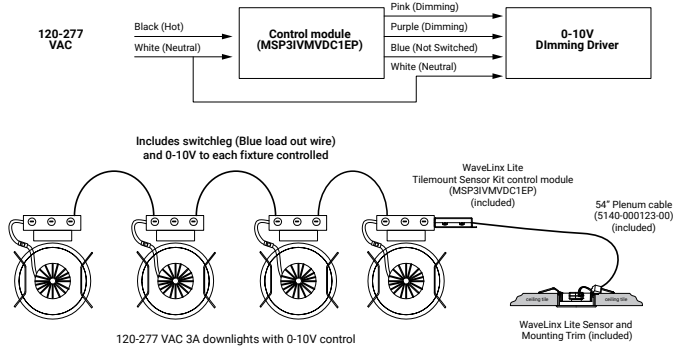
WaveLinx Lite - WTK Tilemount Sensor



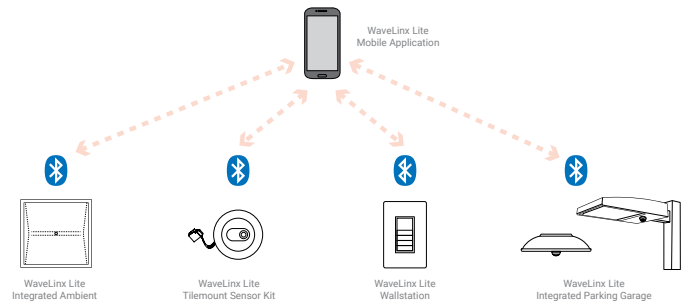
- Intuitive Android™ or Apple® iOS® app for basic system code compliant set up and configuration via Bluetooth
- Up to 28 unique areas per project site (WaveLinx Lite Bluetooth network)
- Up to 50 devices for an area, any one of 16 control zones, up to 6 occupancy sets, and custom lighting scenes
- Automatic occupancy or vacancy, sensor sensitivity, daylight dimming, etc. configurable through the app
- Refer to the WaveLinx system specifications for details



WaveLinx Lite WTK Tilemount Wiring Diagram



WaveLinx Lite Bluetooth Enabled System



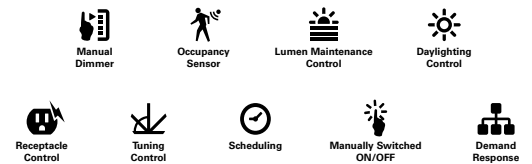
WaveLinx – WTA Tilemount Sensor



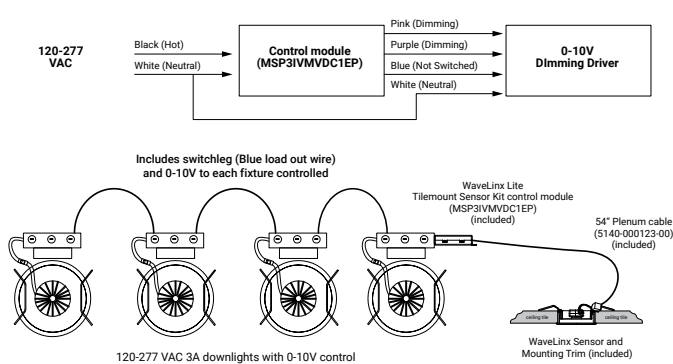
- WaveLinx functionality configures zones and customizes settings from one secure mobile app
- Automatic code commissioning that meets the strictest codes
- Fixtures and sensors integrate with Wireless Area Controller, Wall Stations, and Control Devices
- Stand-Alone Offices or Entire Building Network Installations



WaveLinx mobile app settings



WaveLinx Lite WTA Tilemount Wiring Diagram



WaveLinx Trellix Building Management Integration

