

DESCRIPTION

Lens clip accessory for PAR20, PAR30 and PAR38 lamps. Attached directly to the lamp and accepts one or two media. Use with a broad range of optical filters, theatrical tinting color lens and louvers to provide additional light control and artistic expression. Use with Portfolio 4", 6" and 7" directional PAR lamp fixtures.

Catalog #		Type
Project		
Comments		Date
Prepared by		

SPECIFICATION FEATURES

LC20

Deep drawn steel collar attached to PAR 20 lamp with spring clip. Accepts one or two color lens, louvers or beam modifying filters. Painted matte black to reduce stray light.

Media

Use with Portfolio 2-1/2" diameter media or supplied by others. Reference media specification sheets.

LC30

Deep drawn steel collar attached to PAR30 lamp with spring clip. Accepts one or two color lens, louvers or beam modifying filters. Painted matte black to reduce stray light.

Media

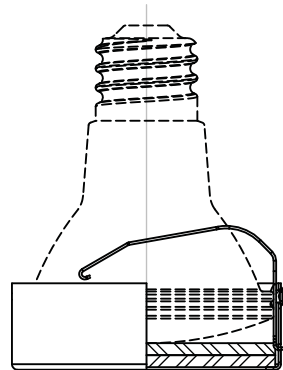
Use with Portfolio 3-3/4" diameter media or supplied by others. Reference media specification sheets.

LC38

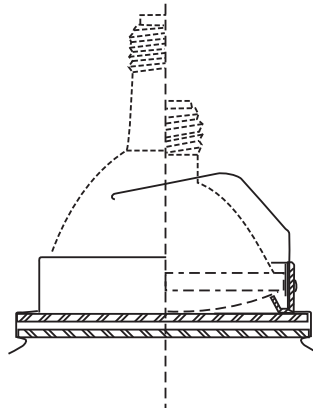
Deep drawn steel collar attached to PAR38 lamp with spring clip. Accepts one or two color lens, louvers or beam modifying filters. Painted matte black to reduce stray light.

Media

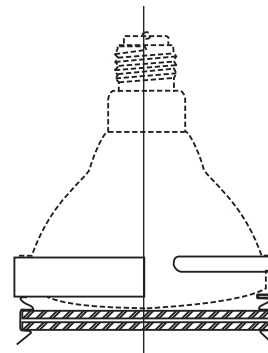
Use with Portfolio 4-11/16" diameter media or supplied by others. Reference media specification sheets.



LC20



LC30



LC38

LC20
LC30
LC38

Lens Clip Accessory

4/6/7 Inch

ORDERING INFORMATION

SAMPLE NUMBER: LC20

Series

LC20 = Lens Clip for PAR 20 lamps
LC30 = Lens Clip for PAR 30 lamps
LC38 = Lens Clip for PAR 38 lamps