

Project		Catalog #		Type	
Prepared by		Notes		Date	



Portfolio

LDSSQ4C | EU4C | 4LBSSQ

4" Shallow Square, new construction downlight
250-3000 Lumens

Typical Applications

Office • Education • Healthcare • Hospitality • Retail • Code-Compliance Areas • Sports Venues

Interactive Menu

- Order Information page 2
- Product Specifications page 3
- Energy Data page 4
- Connected System page 8
- Product Warranty

Product Certification



Product Features



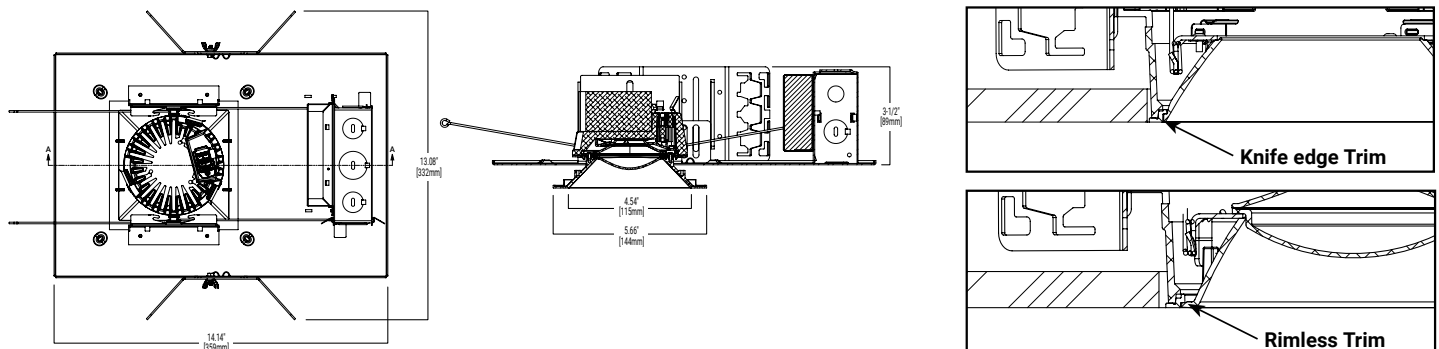
Control Compatibility



Top Product Features

- 250-3000 lumens; ENERGY STAR® qualified
- Optional snap in driver for ease of replacement; Die-cast aluminum reflectors
- Standard 0-10V driver dims to 1%; Easy disconnect for LED engine replacement and installation
- 98 CRI; 2400K, 2700K, 3000K, 3500K, 4000K, 5000K; D2W™ option from 3000K to 1850K
- W2N tunable white CCT range 2700K to 6500K or 2000K to 5000K

Dimensional and Mounting Details



Order Information

SAMPLE ORDER NUMBER: **LDSSQ4C109830D010SQ1LI**

Invoice will indicate separate fixture components (housing, trim, module) which will ship complete from a single CLS facility in separate cartons.

To receive separate components (housing, trim, module) shipment, click on the "Multi-Line Ordering Information Option" button to the right.



Housing	Lumen ⁽¹⁾	Color Control		CCT ⁽¹¹⁾
LDSSQ4C =LED Shallow Square Downlight 4" Nominal Aperture LDSSQ4CCP =LED Shallow Square Downlight 4" Nominal Aperture, Chicago Plenum	02 =250 lumens ⁽²²⁾ 05 =500 lumens ⁽²²⁾ 08 =800 lumens ⁽²²⁾ 10 =1000 Lumens ⁽²³⁾ 15 = 1500 Lumens 20 = 2000 Lumens 25 = 2500 lumens 30 = 3000 Lumens ⁽²¹⁾	98 = Full spectrum (Thrive) used with 98 CRI light engine up to 2500 lumens D2W = Dim to warm for 800-2500 lumens; 90CRI, 3000K W2N2765 = Tunable White for 1000-3000 lumens, 2700K-6500K (D5LT & DE010 drivers only), 90CRI ⁽¹²⁾ W2N2050 = Tunable White for 1000-3000 lumens, 2000K-5000K (D5LT & DE010 drivers only), 90CRI ⁽¹²⁾	W2N27651 = 120V, Tunable white for 1500-3000 lumens, 2700K-6500K (D5LT and DE010 drivers), 90CRI ⁽¹¹⁾ W2N20501 = 120V, Tunable white for 1500-3000 lumens, 2000K-5000K (D5LT and DE010 drivers), 90CRI ⁽¹¹⁾ W2N27652 = 277V, Tunable white for 1500-3000 lumens, 2700K-6500K (D5LT and DE010 drivers), 90CRI ⁽¹¹⁾ W2N20502 = 277V, Tunable white for 1500-3000 lumens, 2000K-5000K (D5LT and DE010 drivers), 90CRI ⁽¹¹⁾	98 CRI 27 =2700K 30 =3000K 35 =3500K 40 =4000K 50 =5000K

Driver	Driver Options	Bar Hanger
D010 = 0-10V Dimming, 1% to 100%, 120V-277V, D2W =800-2500 lumens / 98 CRI =250-2500 lumens 3D010 =0-10V Dimming, 1% to 100%, 347V dedicated drivers, D2W =800- 2500 lumens / 98 CRI =800-2500, and 250-500 use step down transformer	Blank = Integral driver PD = Plug in Driver ⁽¹⁷⁾	Blank = Without hanger bars B26 = C-channel Bar Hanger, 26" Long, Pair
D010TR = 0-10V (120-277V) or Phase-Cut (120V) dimming, 5-100%, D2W =800-2500 lumens / 98 CRI =250-2500 lumens 3D010TR =0-10V Dimming, 5% to 100%, 347V step down transformer, D2W =800-2500 lumens / 98 CRI =250-2500 lumens		
DE010 = 0-10V Dimming, 0% to 100%, 120V-277V, D2W =800-2500 lumens / 98 CRI =500-2500 lumens / W2N =1000 lumens 1DE010 =0-10V Dimming, 0% to 100%, 120V, W2N =1500-3000 lumens 2DE010 =0-10V Dimming, 0% to 100%, 277V, W2N =1500-3000 lumens 3DE010 =0-10V Dimming, 0% to 100%, 347V step down transformer D2W =800-2500 lumens / 98 CRI =500-2500 lumens / W2N =1000 lumens		
D5LT = Fifth Light [®] (DALI T6) Logarithmic Dimming, 0% to 100%, 120V-277V, D2W =800-2500 lumens / 98 CRI =500-2500 lumens / W2N =1000 lumens 1D5LT =Fifth Light [®] (DALI T6) Logarithmic Dimming, 0% to 100%, 0-10V Dimming, 120V, W2N =1500-3000 lumens 2D5LT =Fifth Light [®] (DALI T6) Logarithmic Dimming, 0% to 100%, 0-10V Dimming, 277V, W2N =1500-3000 lumens 3D5LT =Fifth Light [®] (DALI T6) Logarithmic Dimming, 0% to 100% 347V step down transformer D2W =800-2500 lumens / 98 CRI =500-2500 lumens / W2N =1000 lumens		
DMX = DMX/RDM Logarithmic Dimming, 0% to 100%, 120V-277V, D2W =800-2500 lumens / 98 CRI =800-2500 lumens ⁽⁶⁾ 3DMX =DMX/RDM Logarithmic Dimming, 0% to 100%, 347V step down transformer, D2W =800-2500 lumens / 98 CRI =800-2500 lumens ⁽⁶⁾		
DMXC5 = DMX/RDM Logarithmic Dimming, 0% to 100%, 120V-277V, RJ45 Connection, D2W =800-2500 lumens / 98 CRI =800-2500 lumens ⁽⁶⁾ 3DMXC5 =DMX/RDM Logarithmic Dimming, 0% to 100%, RJ45 Connection, 347V step down transformer, D2W =800-2500 lumens / 98 CRI =800-2500 lumens ⁽⁶⁾		
1DL2 = Lutron [®] Hi-Lume Forward Phase Dimming, 1% to 100%, 120V Only, D2W =800-2500 lumens / 98 CRI =800-2500 lumens 3DL2 =Lutron [®] Hi-Lume Forward Phase Dimming, 1% to 100%, 347V step down transformer, D2W =800-2500 lumens / 98 CRI =800-2500 Lumens		
DLE = Lutron Ecosystem dimming 1% to 100%, 120V-277V, D2W =800-2500 lumens / 98 CRI =800- 2500 lumens 3DLE =Lutron Ecosystem dimming 1% to 100%, 347V with step down transformer, D2W =800-2500 lumens / 98 CRI =800-2500 Lumens		
DLV = Low voltage dimming driver (1-100%) for use with DLVP system, D2W =800-2500 lumens / 98 CRI =800-2000 lumens (Limited to 2000 lumens with 98 CRI) ⁽⁹⁾		

Trim Distribution ⁽⁵⁾	Trim Flange	Trim Finish	Options ⁽³⁾⁽⁸⁾
CSSQ =Cast Shallow Square, Die Cast Aluminum	1 =Self-flanged ⁽⁵⁾ 2 =White Painted Self-flanged 3 = Flangeless for use with plaster lathing ring 4 =Knife edge rimless use with die cast only ⁽¹³⁾	MW =Matte White (Antimicrobial) MB =Matte Black MMS =Matte Metallic Silver	EM6 =6W Emergency Module with Remote Test Switch WPN = WaveLinX PRO Wireless Node without sensor ⁽²⁰⁾
PSSQMW1 =Non-Conductive Shallow, self flanged Injection Molded white ⁽¹⁴⁾			

Accessories (Sold separately) ⁽¹⁸⁾		
LGSKT4SQIP66 =IP66 Gasket Kit PRSQ4 = Rimless Plaster Ring ⁽²⁾ RKPSQ4 = Knife Edge plaster Ring ⁽¹⁴⁾	RPMSQ4MW =Rimless Millwork Ring, Matte White ⁽²⁾ RPMSQ4MB =Rimless Millwork Ring, Matte Black ⁽²⁾ RKMSQ4MW =Knife Edge Millwork Ring, Matte White ⁽¹⁴⁾ RKMSW4MB =Knife Edge Millwork Ring, Matte Black ⁽¹⁴⁾	Bar Hangers HB50 =C-channel Bar Hanger, 50" Long, Pair RMB22 =Wood Joist Bar Hanger, 22" Long, Pair Connected Lighting Systems ⁽³⁾⁽⁷⁾ WPST = Field installed WaveLinX sensor Kit ⁽⁹⁾ WLST = Field installed WaveLinX LITE Sensor Kit ⁽¹⁰⁾

- Notes:**
- Nominal Lumens will vary depending on selected color, CRI, driver and reflector finish. Reference Multiplier tables.
 - Order trim with flange type 3.
 - Not available with Chicago Plenum.
 - ULUS listed only
 - Flange is the same finish as the reflector
 - DMX fixtures default to full on upon loss of DMX signal
 - Refer to system specifications for additional information, features, and benefits. Use with 0-10V driver.
 - Non-IC
 - WLST = WaveLinX LITE tilemount sensor kit for daylight dimming, PIR motion sensing, use with D010 only (Refer to WaveLinX LITE system specifications)

- WPST = WaveLinX wireless sensor kit for daylight dimming, PIR motion sensing, and optional RLTS - Real Time Location Services, use with 0-10V only.
- Not required for W2N and D2W
- Limited to 1000 lumens with remote driver
- Accessory (Requires knife edge accessory ring)
- Order die cast trim with flange type 4
- Limited to 2000 lumens
- Not available with DLVP
- Accessories sold separately will be separately analyzed under domestic preference.
- 120V-277V
- WPN = WaveLinX PRO wireless node provides luminaire-level control with scene and zone configuration without an integrated sensor; Connects wirelessly with daylight dimming sensor and PIR motion sensor if desired. Use with 0-10V driver only.

- W2N is marked spacing for 3000 lumens. W2N is marked spacing and must be installed with the following minimum spacing.
 - Center to center of adjacent luminaires: 36"
 - Center of luminaire to side of building member: 36"
 - Minimum overhead: 0.5"
- IC rated
- Tunable white IC rated with 1000 lumens

Product Specifications

Lower Shielding Reflector

- Painted die cast aluminum with a lensed upper optical chamber providing superior lumen output with minimal source brightness
- Plaster lathing ring, knife edge and millwork ring accessory for flush reflector transition

Trim Retention

- Two torsion springs hold reflector flange tightly to the finished ceiling surface

Plaster Frame/Collar

- Galvanized steel plaster frame with adjustable collar adjusts for up to 2" thick ceilings and rotates +/- 7.5°.

Universal Mounting Bracket

- Accepts 1/2" Electric Metallic Tube (EMT), C-channel and bar hangers
- Adjusts 5" vertically from above and below the ceiling

Junction box

- Four 1/2" and two 3/4" trade size pry outs positioned to allow straight conduit runs
- Lever connectors for simple push in wiring
- Listed for (4) #12 AWG (two in, two out) 90°C conductors and feed thru branch wiring for type IC and Plug in drivers for 120/277V only. For all other cases (8) #12 AWG (four in, four out) 90°C conductors and feed thru branch wiring for 120/277V only

Thermal

- Aluminum heat sink conducts heat away from the LED module for improved performance and longer life

LED System

- Contains a plurality of high brightness white LED's combined with a high reflectance upper reflector and convex transitional lens producing even distribution without pixilation
- Auto resetting, thermally protected, LED's are turned off when safe operating temperatures are exceeded
- Quick disconnect allows for tool-less replacement of LED engine from below ceiling
- 98 CRI and W2N: L70 55,000 hours
- Color variation within 2-step MacAdam ellipses
- Available in 2400K, 2700K, 3000K, 3500K, 4000K and 5000K correlated color temperature (CCT)

- D2W™ – dim-to-warm shifts CCT from 3000K to 1850K as fixture dims mimicking halogen sources.
- W2N - Tunable white CCT range 2700K to 6500K or 2000K to 5000K, 90 CRI. Standard
- **98 CRI** With a full-spectrum approach using broad-blue chip technology and special phosphor blends, Thrive is able to closely match the spectrum of the sun across all color temperatures. Benefits of the natural spectrum of the sun using Thrive include superior accurate color rendering, reduced eye strain, and a higher sense of emotional well-being.

Driver

- Standard 120-277V 0-10V dimming driver provides flicker free dimming from 100% to 1%
- Optional 120V leading edge/0-10V, <1% 0-10V, Fifth Light, DMX or Lutron® Ecosystem
- Driver can be serviced from above or through the aperture
- Distributed low voltage power system combines power, lighting, and controls with ease of installation.
- Optional magnetically guided snap in driver for ease of maintenance.

Emergency Option

- Self test 6W battery provides 90 minutes of standby lighting, meeting most life safety codes for egress lighting
- UL 924 listed

Connected Lighting System

Two WaveLinx connected solutions to choose from. Refer to WaveLinx system specifications and application guides for details.

WaveLinx PRO Tilemount Sensor Kit

- WaveLinx WPST tilemount sensor kit offers daylight dimming, PIR motion sensing, scene and zone configuration, automatic commissioning, and optional RLTS - Real Time Location Services available.

WaveLinx PRO Wireless Node

- WaveLinx PRO wireless node provides luminaire-level control with scene and zone configuration without an integrated sensor; Connects wirelessly with daylight dimming sensor and PIR motion sensor if desired. Use with 0-10V driver only.

WaveLinx LITE Tilemount Sensor Kit

- WaveLinx LITE WLST tilemount sensor kit offers daylight dimming and PIR motion sensing, scene and grouping configuration.

WaveLinx Tilemount Kits Application

- The WPST and WLST tilemount kits include a control module mounted on the luminaire junction box via 1/2" knock-out, and a tilemount sensor on 54-inch whip; for ceiling installation by direct-mount spring clips or via mounting bracket in octagon ceiling boxes.
- The WPST and WLST tilemount kits may be ordered as factory installed on the luminaire, or ordered separately as a field installed accessory kit.

Code Compliance

- Thermally protected
- cULus Certified to UL 1598 / C22.2 No. 250.0 suitable for wet locations with downlight; damp location with wall wash and hyperbolic with covered ceiling
- IP66 rated when used with IP66 gasket kit accessory
- Optional City of Chicago environmental air (CCEA) marking for plenum applications
- FCC CFR Title 47 Part 15 Class B at 120VAC and Class A at 277VAC
- Insulated ceiling (IC) rated up to 800 lumens (98 CRI & D2W); 1000 lumens (W2N). All others are non-IC rated (insulation must be kept 3" from top and sides of housing).
- Can be used for State of California Title 24 high efficacy LED compliance under JA8, reference Modernized Appliance Efficiency Database System (MAEDBS) for 2016 JA8 High Efficacy Lighting
- RoHS compliant
- Photometric testing completed in accordance with IES LM-79
- LED life testing completed in accordance with IES LM-80-08 and TM-21-11 standards

Warranty

- Five year warranty www.cooperlighting.com/legal

Energy and Performance Data

D010 DRIVER ENERGY DATA

Series	250 lumen		500 lumen		800 lumen		1000 lumen		1500 lumen		2000 lumen	
	120V	277V	120V	277V	120V	277V	120V	277V	120V	277V	120V	277V
Input Voltage 120-277VAC	120V	277V	120V	277V	120V	277V	120V	277V	120V	277V	120V	277V
Input Current (A)	0.029	0.017	0.061	0.032	0.085	0.041	0.084	0.042	0.135	0.063	0.189	0.084
Input Power (W)	3.45	3.87	7.33	7.78	10.15	10.52	10.04	10.43	16.17	16.56	22.58	22.63
In-rush (A)	2.1	8.5	3.7	8.5	3.6	8.3	3.6	8.4	2.3	9.5	2.1	9.7
Inrush duration (µs)	250	131	190	136	220	135	226	136	230	125	243	132
THDi (%)	7.21	16.92	7.82	10.78	5.57	9.63	7.78	9.24	4.75	9.93	8.03	7.44
PF	≥ 0.98	≥ 0.9	≥ 0.99	≥ 0.93	≥ 0.99	≥ 0.95	≥ 0.99	≥ 0.95	≥ 0.99	≥ 0.94	≥ 0.99	≥ 0.96

Series	2500 lumen		3000 lumen	
	120V	277V	120V	277V
Input Voltage 120-277VAC	120V	277V	120V	277V
Input Current (A)	0.276	0.121	0.276	0.121
Input Power (W)	32.98	32.57	32	32.57
In-rush (A)	2.5	11.8	3.6	11.8
Inrush duration (µs)	215	111	220	111
THDi (%)	9.86	6.57	5.57	6.57
PF	≥ 0.99	≥ 0.97	≥ 0.99	≥ 0.99

Minimum starting temperature -30°C (-22°F)*
(Nominal input 120-277VAC & 100% of rated output power)

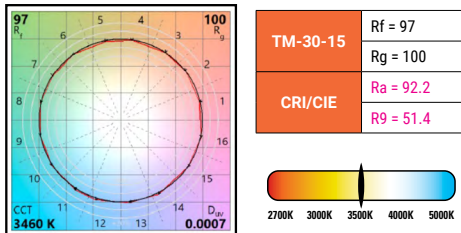
Sound Rating: Class A standards

Notes:

Emergency Battery packs are rated for a minimum starting temperature of 0°C.

COLOR METRICS - TM-30-15 & CRI/CIE

98 CRI Color Metric Summary - 3500K*



* Color values are based on haze reflector, other finishes and field results may vary.

Beam Angles

Trim	Beam Angle
4LBPSSQMW	NON CONDUCTIVE
4LBCSSQMW	SHALLOW SQUARE MATTE WHITE
4LBCSSQMMS	SHALLOW SQUARE MATTE METALLIC SILVER

Multi-line Order Information

SAMPLE ORDER NUMBER: **LDSSQ4C10D010TRIEM14**

Invoice will indicate separate fixture components (housing, trim, module) and may ship from multiple CLS facilities in separate cartons.



Housing	Lumens ⁽²⁾		Color Control
LDSSQ4C =LED Square Downlight 4" Nominal Aperture LDSSQ4CCP =LED Square Downlight 4" Nominal Aperture, Chicago Plenum	02 =250 lumens 05 =500 lumens 08 =800 lumens 10 =1000 lumens	15 =1500 lumens 20 =2000 lumens 25 =2500 lumens 30 =3000 lumens ⁽³⁾	Blank =W2N D2W =Dim to warm for 1000-3000 lumens lumens FS =Full spectrum (Thrive) used with 98 CRI light engine up to 2500 lumens

Driver
D010 = 0-10V Dimming, 1% to 100%, 120V-277V, D2W =800-2500 lumens / 98 CRI =250-2500 lumens (up to 2000 lumens for remote driver) 1D010TR =0-10V Dimming, 1% to 100%, 120V, 2500 lumens for remote driver only 2D010 =0-10V Dimming, 1% to 100%, 277V, 2500 lumens for remote driver only 3D010 =0-10V Dimming, 1% to 100%, 347V dedicated drivers, D2W =800-2500 lumens / 98 CRI =800-2500 and 250-500 use step down transformer
D010TR = 0-10V (120-277V) or Phase-Cut (120V) dimming, 5-100%, D2W =800-2500 lumens / 98 CRI =250-2500 lumens (up to 2000 lumens for remote driver) 1D010TR =0-10V or Phase-Cut Dimming, 5% to 100%, 120V, 2500 lumens for remote driver only 2D010TR =0-10V Dimming, 5% to 100%, 277V, 2500 lumens for remote driver only 3D010TR =0-10V Dimming, 5% to 100% 347V step down transformer, D2W =800-2500 lumens / 98 CRI =250-2500 lumens
DE010 =10V Dimming, 0% to 100%, 120V-277V, D2W =800-2500 lumens / 98 CRI =500-2500 lumens (up to 2000 lumens for remote driver) / W2N =1000 lumens 1DE010 =0-10V Dimming, 0% to 100%, 120V, W2N =1500-3000 lumens / 98 CRI =2500 lumens for remote driver only 2DE010 =0-10V Dimming, 0% to 100%, 277V, W2N =1500-3000 lumens / 98 CRI =2500 lumens for remote driver only 3DE010 =0-10V Dimming, 0% to 100%, 347V step down transformer, D2W =800-2500 lumens / 98 CRI =500-2500 lumens / W2N =1000 lumens
DSL T = Fifth Light [®] (DALI T6) Logarithmic Dimming, 0% to 100%, 120V-277V, D2W =800-2500 lumens / 98 CRI =500-2500 lumens (up to 2000 lumens for remote driver) / W2N =1000 lumens 1DSL T=Fifth Light [®] (DALI T6) Logarithmic Dimming, 0% to 100%, 0-10V Dimming, 120V, W2N =1500-3000 lumens / 98 CRI =2500 lumens for remote driver only 2DSL T=Fifth Light [®] (DALI T6) Logarithmic Dimming, 0% to 100%, 0-10V Dimming, 277V, W2N =1500-3000 lumens / 98 CRI =2500 lumens for remote driver only 3DSL T=Fifth Light [®] (DALI T6) Logarithmic Dimming, 0% to 100% 347V step down transformer, D2W =800-2500 lumens / 98 CRI =500-2500 lumens / W2N =1000 lumens
DMX = DMX/RDM Logarithmic Dimming, 0% to 100%, 120V-277V, D2W =800-2500 lumens / 98 CRI =800-2500 lumens (up to 2000 lumens for remote driver) ⁽¹⁴⁾ 1DMX =DMX/RDM Logarithmic Dimming, 0% to 100%, 120V, 98 CRI =2500 lumens for remote driver only ⁽¹⁴⁾ 2DMX =DMX/RDM Logarithmic Dimming, 0% to 100%, 277V, 98 CRI =2500 lumens for remote driver only ⁽¹⁴⁾ 3DMX =DMX/RDM Logarithmic Dimming, 0% to 100%, 347V step down transformer, D2W =800-2500 lumens / 98 CRI =800-2500 lumens ⁽¹⁴⁾
DMXC5 = DMX/RDM Logarithmic Dimming, 0% to 100%, 120V-277V, RJ45 Connection, D2W =800-2500 lumens / 98 CRI =800-2500 lumens (up to 2000 lumens for remote driver) ⁽¹⁴⁾ 1DMXC5 =DMX/RDM Logarithmic Dimming, 0% to 100%, 120V, RJ45 Connection, 98 CRI =2500 lumens for remote driver only ⁽¹⁴⁾ 2DMXC5 =DMX/RDM Logarithmic Dimming, 0% to 100%, 277V, RJ45 Connection, 98 CRI =2500 lumens for remote driver only ⁽¹⁴⁾ 3DMXC5 =DMX/RDM Logarithmic Dimming, 0% to 100%, RJ45 Connection, 347V step down transformer, D2W =800-2500 lumens / 98 CRI =800-2500 lumens ⁽¹⁴⁾
1DL2 = Lutron [®] Hi-Lume Forward Phase Dimming, 1% to 100%, 120V Only, D2W =800-2500 lumens / 98 CRI =800-2500 lumens (up to 2000 lumens for remote driver) 3DL2 =Lutron [®] Hi-Lume Forward Phase Dimming, 1% to 100%, 347V step down transformer, D2W =800-2500 lumens / 98 CRI =800-2500 Lumens
DLE = Lutron Ecosystem dimming 1% to 100%, 120V-277V, D2W =800-2500 lumens / 98CRI =800- 2500 lumens 3DLE =Lutron Ecosystem dimming 1% to 100%, 347V with step down transformer, D2W =800-2500 lumens / 98 CRI =800-2500 Lumens
DLV = Low voltage dimming driver (1-100%) for use with DLVP system, D2W =800-2500 lumens / 98 CRI =800-2000 lumens ⁽³⁾
DE010W2N2765 = Tunable white 0-10V Dimming, 2700K-6500K, 0% to 100%,120V-277V, 1000 lumens 1DE010W2N2765 =Tunable white 0-10V Dimming, 2700K-6500K, 0% to 100%,120V, 1500-3000 lumens 2DE010W2N2765 =Tunable white 0-10V Dimming, 2700K-6500K, 0% to 100%, 277V, 1500-3000 lumens 3DE010W2N2765 =Tunable white 0-10V Dimming, 2700K-6500K, 0% to 100%, 347V step down transformer, 1000 lumens
DE010W2N2050 = Tunable white 0-10V Dimming, 2000K-5000K, 0% to 100%,120V-277V, 1000 lumens 1DE010W2N2050 =Tunable white 0-10V Dimming, 2000K-5000K, 0% to 100%,120V, 1500-3000 lumens 2DE010W2N2050 =Tunable white 0-10V Dimming, 2000K-5000K, 0% to 100%, 277V, 1500-3000 lumens 3DE010W2N2050 =Tunable white 0-10V Dimming, 2000K-5000K, 0% to 100%, 347V step down transformer, 1000 lumens
DSL2W2N2765 = unale white Fifth Light [®] (DALI T6) Dimming, 0% to 100%, 2700K-6500K, 120V-277V, W2N; 1000 lumens 1DSL2W2N2765 =Tunable white Fifth Light [®] (DALI T6) Dimming, 0% to 100%, 2700K-6500K, 120V, W2N; 1500-3000 lumens 2DSL2W2N2765 =Tunable white Fifth Light [®] (DALI T6) Dimming, 0% to 100%, 2700K-6500K, 277V, W2N; 1500-3000 lumens 3DSL2W2N2765 =Tunable white Fifth Light [®] (DALI T6) Dimming, 0% to 100%, 2700K-6500K, 347V step down transformer, W2N; 1000 lumens
DSL2W2N2050 = Tunable white Fifth Light [®] (DALI T6) Dimming, 0% to 100%, 2000K-5000K, 120V-277V, W2N; 1000 lumens 1DSL2W2N2050 =Tunable white Fifth Light [®] (DALI T6) Dimming, 0% to 100%, 2000K-5000K, 120V, W2N; 1500-3000 lumens 2DSL2W2N2050 =Tunable white Fifth Light [®] (DALI T6) Dimming, 0% to 100%, 2000K-5000K, 277V, W2N; 1500-3000 lumens 3DSL2W2N2050 =Tunable white Fifth Light [®] (DALI T6) Dimming, 0% to 100%, 2000K-5000K, 347V step down transformer, W2N; 1000 lumens

Driver Options	Options ^{(6) (19) (20) (21)}
Blank =Integral driver R =Remote driver (order remote driver separately) PD =Plug in Driver	EM6 =6W Emergency Module with Remote Test Switch WPN = WaveLinx PRO Wireless Node without sensor ⁽²⁵⁾

Continued on next page.

Multi-line Order Information

SAMPLE ORDER NUMBER: **EU4C10209035**

Power Module	Lumen Levels ⁽²⁾	CRI ⁽²⁾	Color
EU4C=4-inch Universal LED Module	98 CRI THRIVE LED 0208IC =250, 500 and 800 lumens 98 CRI, IC rated (For use with all drivers, min 500 lumens with DE010 and D5LT, min 800 lumens with DLVP, Lutron and DMX) 1025 =1000, 1500, 2000 and 2500 lumens, 98 CRI (For use with D010, D010TR, DMX, D5LT and Lutron 1000-2500 lumens. DLVP 1000-2000 lumens)	98=98CRI Minimum	98 CRI 27=2700K 30=3000K 35=3500K 40=4000K 50=5000K
	Dim 2 Warm 08259030D2W =800-2500 lumen, 90 CRI, Dim 2 Warm ⁽²³⁾		
	Tunable white 1030W2N902765 =1000, 1500, 2000, 2500, 3000 lumens, 90 CRI, tunable white 2700K-6500K ⁽²⁴⁾ 1030W2N902050 =1000, 1500, 2000, 2500, 3000 lumens, 90 CRI, tunable white 2000K-5000K ⁽²⁴⁾		

SAMPLE ORDER NUMBER: **4LBCSSQ0MW**

Trim	Reflector	Flange	Finish
4LB=4" LED	CSSQ=Cast Shallow Square, Die Cast Aluminum	1=Self flanged ⁽¹⁴⁾ 2=White painted self flanged 4=Knife edge rimless use with die cast only ⁽¹⁵⁾	MW=Matte White MB=Matte Black MMS=Matte Metallic Silver

REQUIRED if Remote Driver (R) is specified

SAMPLE ORDER NUMBER: **RC10010D010TREM7**

Remote Drivers ⁽⁶⁾		Lumens ^{(2) (4)}		Color Control
RC100=Remote 100ft	RC15=Remote 15ft	02=250 lumens	15=1500 lumens	Blank=W2N D2W=Dim to warm 800-2500 lumens FS=Full spectrum (Thrive) used with 98 CRI light engine up to 2500 lumens
RC75=Remote 75ft	RC5=Remote 5ft	05=500 lumens	20=2000 lumens	
RC50=Remote 50ft	RC2=Remote 2ft	08=800 lumens	25=2500 lumens	
RC25=Remote 25ft		10=1000 lumens	30=3000 lumens	

Continued on next page.

Multi-line Order Information

Driver
<p>D010 = 0-10V Dimming, <1% to 100%, 120V-277V, D2W=800-2500 lumens / 98 CRI=250-2000 lumens 1D010 = 0-10V Dimming, <1% to 100%, 120V, 98 CRI= 2500 lumens 2D010 = 0-10V Dimming, <1% to 100%, 277V, 98 CRI= 2500 lumens 3D010 = 0-10V Dimming, <1% to 100%, 347V dedicated driver D2W= 800-2500 lumens, 98 CRI= 800-2500 lumens; with step down transformer / 98 CRI=250 and 500 lumens</p> <p>D010TR = 0-10V (120-277V) or Phase-Cut (120V) dimming, 5-100%, D2W= 800-2500 lumens, 98 CRI= 250-2000 lumens 1D010TR = 0-10V or Phase-Cut Dimming, 120V, 98 CRI= 2500 lumens 2D010TR = 0-10V or Line Voltage Dimming, 277V, 98 CRI= 2500 lumens 3D010TR = 0-10V or Line Voltage Dimming, 347V with step down transformer, D2W= 800-2500 lumens, 98 CRI= 250-3000 lumens</p> <p>DE010 = 0-10V Dimming, 0% to 100%, 120V-277V, D2W= 800-2500 lumens / 98 CRI= 500-2000 lumens 1DE010 = 0-10V Dimming, 0% to 100%, 120V, 98 CRI= 2500 lumens 2DE010 = 0-10V Dimming, 0% to 100%, 277V, 98 CRI= 2500 lumens 3DE010 = 0-10V Dimming, 0% to 100%, 347V with step down transformer, D2W= 800-2500 lumens / 98 CRI= 500-2500 lumens</p> <p>D5LT = Fifth Light® (DALI T6) Logarithmic Dimming, 0% to 100%, 120V-277V, D2W= 800-2500 lumens, 98 CRI= 500-2000 lumens 1D5LT = Fifth Light® (DALI T6) Logarithmic Dimming, 0% to 100%, 120V, 98 CRI= 2500 lumens 2D5LT = Fifth Light® (DALI T6) Logarithmic Dimming, 0% to 100%, 277V, 98 CRI= 2500 lumens 3D5LT = Fifth Light® (DALI T6) Logarithmic Dimming, 0% to 100%, 347V with step down transformer, D2W= 800-2500 lumens, 98 CRI= 500-2500 lumens</p> <p>DMX = DMX/RDM Logarithmic Dimming, 0% to 100%, 120V-277V, D2W= 800-2500 lumens / 98 CRI= 800-2000 lumens⁽⁵⁾ 1DMX = DMX/RDM Logarithmic Dimming, 0% to 100%, 120V, 98 CRI= 2500 lumens⁽⁵⁾ 2DMX = DMX/RDM Logarithmic Dimming, 0% to 100%, 277V, 98 CRI= 2500 lumens⁽⁵⁾ 3DMX = DMX/RDM Logarithmic Dimming, 0% to 100%, 347V with step down transformer, D2W= 800-2500 lumens / 98 CRI= 800-2500 lumens⁽⁵⁾</p> <p>DMXC5 = DMX/RDM Logarithmic Dimming, 0% to 100%, 120V-277V, RJ45 connection, D2W= 800-2500 lumens / 98 CRI= 800-2000 lumens⁽⁵⁾ 1DMXC5 = DMX/RDM Logarithmic Dimming, 0% to 100%, 120V, RJ45 connection, 98 CRI= 2500 lumens⁽⁵⁾ 2DMXC5 = DMX/RDM Logarithmic Dimming, 0% to 100%, 277V, RJ45 connection, 98 CRI= 2500 lumens⁽⁵⁾ 3DMXC5 = DMX/RDM Logarithmic Dimming, 0% to 100%, 347V with step down transformer, RJ45 connection, D2W= 800-2500 lumens / 98 CRI= 800-2500 lumens⁽⁵⁾</p> <p>1DL2 = Lutron® Hi-Lume Forward Phase Dimming, 1% to 100%, 120V Only, 25' Max remote length, D2W= 800-2500 lumens / 98 CRI= 800-2500 lumens 3DL2 = Lutron® Hi-Lume Forward Phase Dimming, 1% to 100%, 347V with step down transformer, 25' Max remote length, D2W= 800-2500 lumens / 98 CRI= 800-2500 lumens</p> <p>DLE = Lutron Ecosystem dimming 1% to 100%, 120V-277V, 25' Max remote length, D2W= 800-2500 lumens / 98 CRI= 800-2000 lumens 1DLE = Lutron Ecosystem dimming 1% to 100%, 120V, 25' Max remote length, 98 CRI= 2500 lumens 2DLE = Lutron Ecosystem dimming 1% to 100%, 277V, 25' Max remote length, 98 CRI= 2500 lumens 3DLE = Lutron Ecosystem dimming 1% to 100%, 347V with step down transformer, 25' Max remote length, D2W= 800-2500 lumens / 98 CRI= 800-2500 lumens</p> <p>DLV = Low voltage dimming driver (1-100%) for use with DLVP system, D2W= 800-2500 lumens / 98 CRI= 800-2000 lumens⁽⁶⁾</p> <p>DE010W2N2765 = Tunable white 0-10V Dimming, 2700K-6500K, 0% to 100%, 120V-277V, 1000 lumens</p> <p>DE010W2N2050 = Tunable white 0-10V Dimming, 2700K-6500K, 0% to 100%, 120V-277V, 1000 lumens</p> <p>D5LTW2N2765 = Tunable white Fifth Light® (DALI T6) Dimming, 0% to 100%, 2700K-6500K, 120V-277V, 1000 lumens</p> <p>D5LTW2N2050 = Tunable white Fifth Light® (DALI T6) Dimming, 0% to 100%, 2000K-5000K, 120V-277V, 1000 lumens</p>

Options	Controls
<p>EMB0D=Bodine® Emergency Module with Remote Test Switch⁽¹⁰⁾ EMB0D6ST=Bodine® 6W Self Test Emergency Module with Remote Test Switch EM7=7W Emergency Module with Remote Test Switch EM14=14W Emergency Module with Remote Test Switch</p>	<p>EMB0D7ST=Bodine® Self Test Emergency Module EMV7=7W Low Voltage Emergency Module with Remote Test Switch⁽⁷⁾ EMV14=14W Low Voltage Emergency Module with Remote Test Switch⁽⁷⁾ ETRD=Emergency transfer device⁽²²⁾</p>
	<p>WPST=Factory installed WaveLinx (includes control module, sensor, cable, tilemount and ceiling mount sensor)⁽¹¹⁾⁽¹³⁾ WLST=Factory installed WaveLinx LITE Sensor Kit⁽¹¹⁾⁽¹²⁾ WPN = WaveLinx PRO Wireless Node without sensor⁽²⁵⁾</p>

Accessories (Sold separately) ⁽¹⁶⁾	
<p>LGSKT4SQIP66=IP66 Gasket Kit</p> <p>PRSQ4 = Rimless Plaster Ring⁽¹⁷⁾ RKPSQ4 = Knife Edge plaster Ring⁽¹⁸⁾</p> <p>RPMSQ4MW=Rimless Millwork Ring, Matte White⁽¹⁷⁾ RPMSQ4MB=Rimless Millwork Ring, Matte Black⁽¹⁷⁾ RKMSQ4MW=Knife Edge Millwork Ring, Matte White⁽¹⁸⁾ RKMSW4MB=Knife Edge Millwork Ring, Matte Black⁽¹⁸⁾</p>	<p>Bar Hangers</p> <p>HB26=C-channel Bar Hanger, 26" Long, Pair HB50=C-channel Bar Hanger, 50" Long, Pair RMB22=Wood Joist Bar Hanger, 22" Long, Pair</p> <p>Connected Lighting Systems⁽⁶⁾⁽¹¹⁾ WPST = Field installed WaveLinx sensor Kit⁽¹¹⁾ WLST = Field installed WaveLinx LITE Sensor Kit⁽¹²⁾</p>

- Notes:**
- Nominal Lumens will vary depending on selected color, CRI, driver and reflector finish. Reference IES files.
 - W2N is marked spacing for 3000 lumens. W2N is marked spacing and must be installed with the following minimum spacing.
 - Center to center of adjacent luminaires: 36"
 - Center of luminaire to side of building member: 36"
 - Minimum overhead: 0.5"
 - IC rated up to 2000 lumens for 98 CRI, 2500 lumens for D2W and 1000 lumens for W2N
 - DMX fixtures default to full on upon loss of DMX signal.
 - Not available with Chicago Plenum.
 - ULUS listed only
 - Not available for W2N.
 - Refer to system specifications for additional information, features, and benefits. Order either factory installed option or accessory. Use with 0-10V driver.
 - WLST = WaveLinx LITE tilemount sensor kit for daylight dimming, PIR motion sensing, use with D010 only (Refer to WaveLinx LITE system specifications)
 - WPST = WaveLinx wireless sensor kit for daylight dimming, PIR motion sensing, and optional RLTS - Real Time Location Services, use with 0-10V only.
 - Flange is the same finish as the reflector
 - Requires knife edge ring
 - Accessories sold separately will be separately analyzed under domestic preference.
 - Order trim with flange type 3.
 - Order die cast trim with flange type 4
 - For remote driver order emergency module with the remote driver.
 - 120V-277V
 - Non-IC
 - Used to bypass local control during outage. Must be used in conjunction with UL 1008 device (provided by others)
 - IC rated for 800 lumens
 - IC rated for 1000 lumens
 - WPN = WaveLinx PRO wireless node provides luminaire-level control with scene and zone configuration without an integrated sensor; Connects wirelessly with daylight dimming sensor and PIR motion sensor if desired. Use with 0-10V driver only.

Connected Solutions

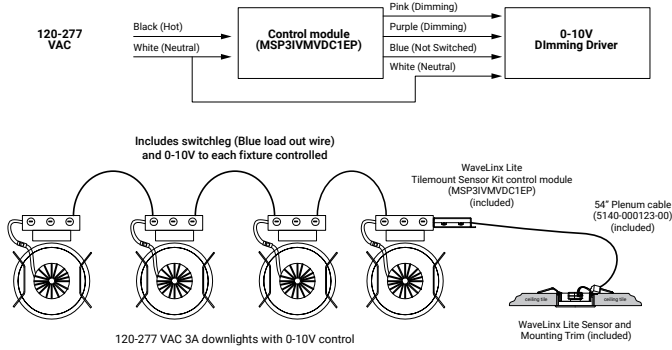
WaveLinX LITE - WLST Tilemount Sensor



- Intuitive Android™ or Apple® iOS® app for basic system code compliant set up and configuration via Bluetooth
- Up to 28 unique areas per project site (WaveLinX LITE Bluetooth network)
- Up to 50 devices for an area, any one of 16 control zones, up to 6 occupancy sets, and custom lighting scenes
- Automatic occupancy or vacancy, sensor sensitivity, daylight dimming, etc. configurable through the app
- Refer to the WaveLinX system specifications for details



WaveLinX LITE WLST Tilemount Wiring Diagram



WaveLinX LITE Bluetooth Enabled System



WaveLinX PRO Wireless – WPST Tilemount Sensor



- WaveLinX PRO Wireless functionality configures zones and customizes settings from one secure mobile app
- Automatic code commissioning that meets the strictest codes
- Fixtures and sensors integrate with Wireless Area Controller, Wall Stations, and Control Devices
- Stand-Along Offices or Entire Building Network Installations

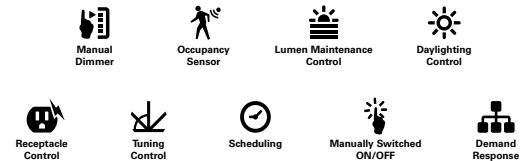
Downlights with tilemount sensor wireless communication
Highly efficient LED fixtures

WaveLinX Area Controller
Provides centralized coordination of multiple area control options

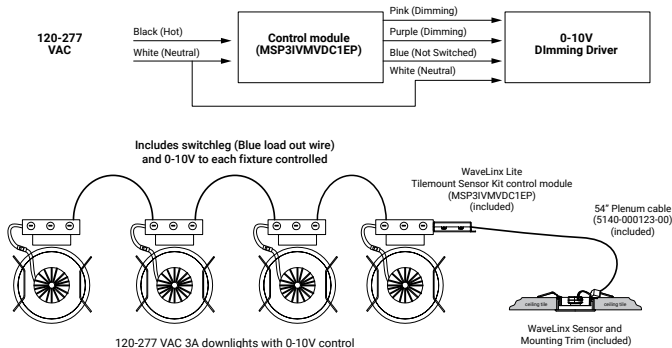
Wireless Wall Station/Receptacle
Provides customized wireless control of each area

Mobile Applications
Provides personalized, local control from a tablet or smartphone

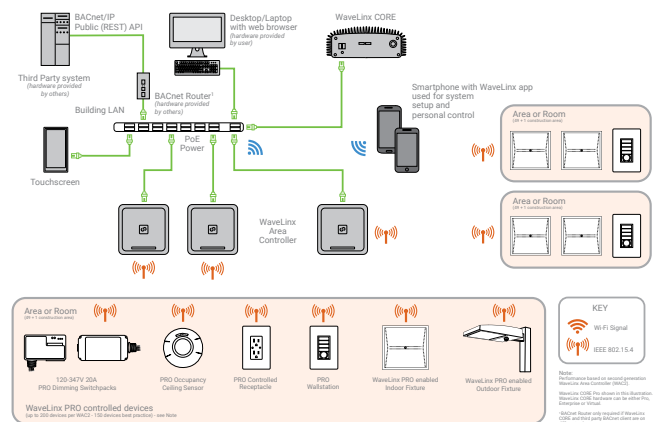
WaveLinX mobile app settings



WaveLinX PRO WPST Tilemount Wiring Diagram



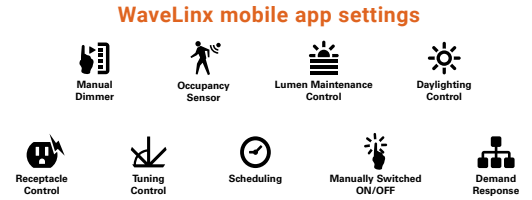
WaveLinX CORE Building Management Integration



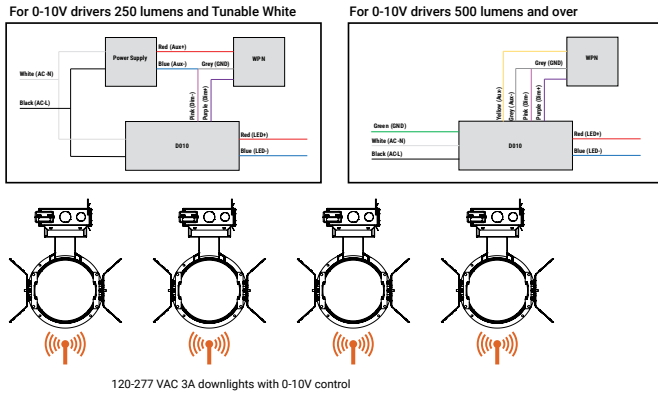
Connected Solutions

WaveLinx PRO Wireless Node - WPN

- WaveLinx Wireless functionality configures zones and customizes settings from one secure mobile app
- Automatic code commissioning that meets the strictest codes
- Fixtures and sensors integrate with WaveLinx Area Controller, Wall Stations, and Control Devices
- Stand-Alone Offices or Entire Building Network Installations



WaveLinx PRO Wireless Node (WPN) Wiring Diagram



WaveLinx CORE Building Management Integration

