

Project		Catalog #		Type	
Prepared by		Notes		Date	



Portfolio

LDSSQ4C | EU4C | 4LBSSQ

4" Shallow Square, new construction
downlight
250-3000 Lumens

Typical Applications

Office • Education • Healthcare • Hospitality • Retail •
Code-Compliance Areas • Sports Venues

Interactive Menu

- Order Information [page 2](#)
- Product Specifications [page 3](#)
- Energy Data [page 4](#)
- Photometric Data [page 5](#)
- Connected System [page 9](#)
- Product Warranty

Product Certification



Control Compatibility



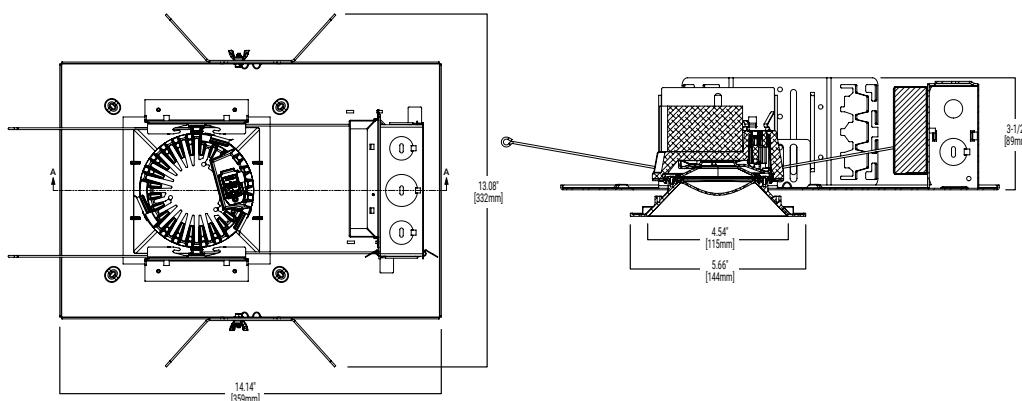
Product Features



Top Product Features

- 250-3000 lumens; Offered in 90 and 97 CRI; ENERGY STAR® qualified
- Easy disconnect for LED engine replacement and installation
- Optional snap in driver for ease of replacement
- Standard 0-10V driver dims to 1%
- 2400K, 2700K, 3000K, 3500K, 4000K, 5000K; D2W™ option from 3000K to 1850K
- Available W2N tunable white CCT range 2700K to 6500K or 2000K to 5000K

Dimensional and Mounting Details



Single Line Order Information

SAMPLE ORDER NUMBER: **LDSSQ4C109030D010SQ1LI**

Invoice will indicate separate fixture components (housing, trim, module) which will ship complete from a single CLS facility in separate cartons. To receive separate components (housing, trim, module) shipment, click on the "Multi-Line Ordering Information Option" button to the right.

 Multi-line Ordering Information Option

Housing	Lumen ⁽¹⁾	Color Control	CCT ⁽¹¹⁾
LDSSQ4C =LED Shallow Square Downlight 4" Nominal Aperture LDSSQ4CCP =LED Shallow Square Downlight 4" Nominal Aperture, Chicago Plenum	02 = 250 lumens, IC rated 05 = 500 lumens, IC rated 08 = 800 lumens, IC rated 10 = 1000 Lumens 10IC = 1000 Lumens, IC rated 15 = 1500 Lumens 15IC = 1500 Lumens, IC rated	20 = 2000 Lumens 25 = 2500 lumens 30 = 3000 Lumens 35 = 3500 lumens 40 = 4000 lumens	90 =90 CRI Minimum 97 =97 CRI Minimum 90 CRI 97 CRI 24 =2400K 27 =2700K 27 =2700K 30 =3000K 30 =3000K 35 =3500K 40 =4000K 50 =5000K

Driver	Driver Options	Hanger Bars
D010 = 0-10V Dimming, 1% to 100%, 120V-277V up to 4000 lumens 3D010 =0-10V Dimming, 1% to 100%, 347V dedicated drivers for 800 to 4000 lumens; 250 and 500 use step down transformer	Blank = Standard mount driver PD = Plug in Driver ⁽¹⁷⁾	Blank = Without hanger bars B26 = C-channel Bar Hanger, 26" Long, Pair
D010TR = 0-10V Dimming, 5% to 100%, 120V-277V or 120V line voltage dimming 250- 4000 lumens (up to 3000 lumens for remote driver) 3D010TR =0-10V or line voltage Dimming, 5% to 100%, 347V step down transformer 250-4000		
DE010 = 0-10V Dimming, 0% to 100%, 120V-277V 500-4000 lumens 3DE010 =0-10V Dimming, 0% to 100%, 347V step down transformer 500-4000 lumens		
DSLT = Fifth Light [®] (DALI T6) Logarithmic Dimming, 0% to 100%, 120V-277V, 500-4000 lumens 3DSLT =Fifth Light [®] (DALI T6) Logarithmic Dimming, 0% to 100% 347V step down transformer, 500-4000 lumens		
DMX = DMX/RDM Logarithmic Dimming, 0% to 100%, 120V-277V 800-4000 lumens ⁽⁶⁾ 3DMX =DMX/RDM Logarithmic Dimming, 0% to 100%, 347V step down transformer, 800-4000 ⁽⁶⁾		
DMXC5 = DMX/RDM Logarithmic Dimming, 0% to 100%, 120V-277V, 800-4000 lumens, RJ45 Connection ⁽⁶⁾ 3DMXC5 =DMX/RDM Logarithmic Dimming, 0% to 100%, 347V step down transformer, 800-4000, RJ45 Connection ⁽⁶⁾		
1DL2 = Lutron [®] Hi-Lume Forward Phase Dimming, 1% to 100%, 120V Only 800-3500 lumens 3DL2 = Lutron [®] Hi-Lume Forward Phase Dimming, 1% to 100%, 347V step down transformer, 800-3500 lumens		
DLE = Lutron Ecosystem dimming 1% to 100%, 120V-277V, 800-3500 lumens 3DLE =Lutron Ecosystem dimming 1% to 100%, 347V, step down transformer, 800-3500 lumens		
DLV = Low voltage dimming driver (1-100%) for use with DLVP system 800-3000 lumens ⁽³⁾		

Trim Distribution ⁽⁵⁾	Trim Flange	Trim Finish	Options ^{(3) (8)}
CSSQ =Cast Shallow Square, Die Cast Aluminum	1 =Self-flanged ⁽⁵⁾ 2 =White Painted Self-flanged 3 = Flangeless for use with plaster lathing ring 4 =Knife edge rimless use with die cast only ⁽¹³⁾	MW =Matte White (Antimicrobial) MB =Matte Black MMS =Matte Metallic Silver	EMBOD6ST =Bodine [®] 6W Self Test Emergency Module with Remote Test Switch WPN = WaveLinX PRO Wireless Node without sensor ⁽¹¹⁾
PSSQMW1 =Non-Conductive Shallow, self flanged Injection Molded white ⁽¹⁶⁾			

Accessories (Sold separately) ⁽¹⁸⁾			
LGSKT4SQIP66 =IP66 Gasket Kit PRSQ4 = Rimless Plaster Ring ⁽²⁾ RKPSQ4 = Knife Edge plaster Ring ⁽¹⁴⁾	RPMSQ4MW =Rimless Millwork Ring, Matte White ⁽²⁾ RPMSQ4MB =Rimless Millwork Ring, Matte Black ⁽²⁾ RKMSQ4MW =Knife Edge Millwork Ring, Matte White ⁽¹⁴⁾ RKMSW4MB =Knife Edge Millwork Ring, Matte Black ⁽¹⁴⁾	Bar Hangers HB50 =C-channel Bar Hanger, 50" Long, Pair RMB22 =Wood Joist Bar Hanger, 22" Long, Pair	Connected Lighting Systems ⁽⁹⁾⁽⁷⁾ WPST = Field installed WaveLinX sensor Kit ⁽⁹⁾ WLST = Field installed WaveLinX LITE Sensor Kit ⁽¹⁰⁾

Notes:

- Nominal Lumens will vary depending on selected color, CRI, driver and reflector finish. Reference Multiplier tables.
- Order trim with flange type 3.
- Not available with Chicago Plenum.
- ULUS listed only
- Flange is the same finish as the reflector
- DMX fixtures default to full on upon loss of DMX signal
- Refer to system specifications for additional information, features, and benefits. Use with 0-10V driver.
- Non-IC
- WLST = WaveLinX LITE tilemount sensor kit for daylight dimming, PIR motion sensing, use with D010 only (Refer to WaveLinX LITE system specifications)

- WPST = WaveLinX wireless sensor kit for daylight dimming, PIR motion sensing, and optional RLTS - Real Time Location Services, use with 0-10V only.
- WPN = WaveLinX PRO wireless node provides luminaire-level control with scene and zone configuration without an integrated sensor; Connects wirelessly with daylight dimming sensor and PIR motion sensor if desired. Use with 0-10V driver only.
- Accessory (Requires knife edge accessory ring)
- Order die cast trim with flange type 4
- Limited to 2000 lumens
- Not available with DLVP
- Accessories sold separately will be separately analyzed under domestic preference.

Product Specifications

Lower Shielding Reflector

- Painted die cast aluminum with a lensed upper optical chamber providing superior lumen output with minimal source brightness
- Plaster lathing ring, knife edge and millwork ring accessory for flush reflector transition

Trim Retention

- Two torsion springs hold reflector flange tightly to the finished ceiling surface

Plaster Frame/Collar

- Galvanized steel plaster frame with adjustable collar adjusts for up to 2" thick ceilings and rotates +/- 7.5°.

Universal Mounting Bracket

- Accepts 1/2" Electric Metallic Tube (EMT), C-channel and bar hangers
- Adjusts 5" vertically from above and below the ceiling

Junction box

- Four 1/2" and two 3/4" trade size pry outs positioned to allow straight conduit runs
- Lever connectors for simple push in wiring
- Listed for (4) #12 AWG (two in, two out) 90°C conductors and feed thru branch wiring for type IC and Plug in drivers for 120/277V only. For all other cases (8) #12 AWG (four in, four out) 90°C conductors and feed thru branch wiring for 120/277V only

Thermal

- Aluminum heat sink conducts heat away from the LED module for improved performance and longer life

LED System

- Contains a plurality of high brightness white LED's combined with a high reflectance upper reflector and convex transitional lens producing even distribution without pixilation
- Auto resetting, thermally protected, LED's are turned off when safe operating temperatures are exceeded
- Quick disconnect allows for tool-less replacement of LED engine from below ceiling
- 90 and 97 CRI
- 90 & 97CRI: L78 55,000 hours for 1000-2000 lumens, L90 55,000 for all other lumen output
- Color variation within 2-step MacAdam ellipses
- Available in 2400K, 2700K, 3000K, 3500K, 4000K and 5000K correlated color temperature (CCT)

Vividtune and High CRI

- 98 CRI and W2N: L70 55,000 hours
- D2W™ – dim-to-warm shifts CCT from 3000K to 1850K as fixture dims mimicking halogen sources.
- W2N - Tunable white CCT range 2700K to 6500K or 2000K to 5000K, 90 CRI. Standard
- 98 CRI** With a full-spectrum approach using broad-blue chip technology and special phosphor blends, Thrive is able to closely match the spectrum of the sun across all color temperatures. Benefits of the natural spectrum of the sun using Thrive include superior accurate color rendering, reduced eye strain, and a higher sense of emotional well-being.
- See dedicated specification sheet for more details.

Driver

- Standard 120-277V 0-10V dimming driver provides flicker free dimming from 100% to 1%
- Optional 120V leading edge/0-10V, <1% 0-10V, Fifth Light, DMX or Lutron® Ecosystem
- Driver can be serviced from above or through the aperture
- Distributed low voltage power system combines power, lighting, and controls with ease of installation.
- Optional magnetically guided snap in driver for ease of maintenance.

Emergency Option

- Self test 6W battery provides 90 minutes of standby lighting, meeting most life safety codes for egress lighting
- UL 924 listed

Connected Lighting System

Two WaveLinx connected solutions to choose from. Refer to WaveLinx system specifications and application guides for details.

WaveLinx PRO Tilemount Sensor Kit

- WaveLinx WPST tilemount sensor kit offers daylight dimming, PIR motion sensing, scene and zone configuration, automatic commissioning; and optional RLTS - Real Time Location Services available.

WaveLinx PRO Wireless Node

- WaveLinx PRO wireless node provides luminaire-level control with scene and zone configuration without an integrated sensor; Connects wirelessly with daylight dimming sensor and PIR motion sensor if desired. Use with 0-10V driver only.

WaveLinx LITE Tilemount Sensor Kit

- WaveLinx LITE WLST tilemount sensor kit offers daylight dimming and PIR motion sensing, scene and grouping configuration.

WaveLinx Tilemount Kits Application

- The WPST and WLST tilemount kits include a control module mounted on the luminaire junction box via 1/2" knock-out, and a tilemount sensor on 54-inch whip; for ceiling installation by direct-mount spring clips or via mounting bracket in octagon ceiling boxes.
- The WPST and WLST tilemount kits may be ordered as factory installed on the luminaire, or ordered separately as a field installed accessory kit.

Code Compliance

- Thermally protected
- cULus Certified to UL 1598 / C22.2 No. 250.0 suitable for wet locations with downlight; damp location with wall wash and hyperbolic with covered ceiling
- IP66 rated when used with IP66 gasket kit accessory
- Optional City of Chicago environmental air (CCEA) marking for plenum applications
- FCC CFR Title 47 Part 15 Class B at 120VAC and Class A at 277VAC
- Insulated ceiling (IC) rated up to 1,500 lumens (90 and 97CRI). All others are non-IC rated (insulation must be kept 3" from top and sides of housing).
- Can be used for State of California Title 24 high efficacy LED compliance under JA8, reference Modernized Appliance Efficiency Database System (MAEDBS) for 2016 JA8 High Efficacy Lighting
- RoHS compliant
- Photometric testing completed in accordance with IES LM-79
- LED life testing completed in accordance with IES LM-80-08 and TM-21-11 standards

Warranty

- Five year warranty www.cooperlighting.com/legal

Marked Spacing

4-inch Marked spacing for 90 and 97 CRI			
4000	36	36	0.5
4000-7500 (Lutron)	36	36	8
4500-7500	36	36	8

Energy and Performance Data

D010 DRIVER ENERGY DATA

Series	250 lumen		500 lumen		800 lumen		1000 lumen		1500 lumen		2000 lumen	
	120V	277V	120V	277V	120V	277V	120V	277V	120V	277V	120V	277V
Input Voltage 120-277VAC	120V	277V	120V	277V	120V	277V	120V	277V	120V	277V	120V	277V
Input Current (A)	0.029	0.017	0.061	0.032	0.085	0.041	0.084	0.042	0.135	0.063	0.189	0.084
Input Power (W)	3.45	3.87	7.33	7.78	10.15	10.52	10.04	10.43	16.17	16.56	22.58	22.63
In-rush (A)	2.1	8.5	3.7	8.5	3.6	8.3	3.6	8.4	2.3	9.5	2.1	9.7
Inrush duration (µs)	250	131	190	136	220	135	226	136	230	125	243	132
THDi (%)	7.21	16.92	7.82	10.78	5.57	9.63	7.78	9.24	4.75	9.93	8.03	7.44
PF	≥ 0.98	≥ 0.9	≥ 0.99	≥ 0.93	≥ 0.99	≥ 0.95	≥ 0.99	≥ 0.95	≥ 0.99	≥ 0.94	≥ 0.99	≥ 0.96

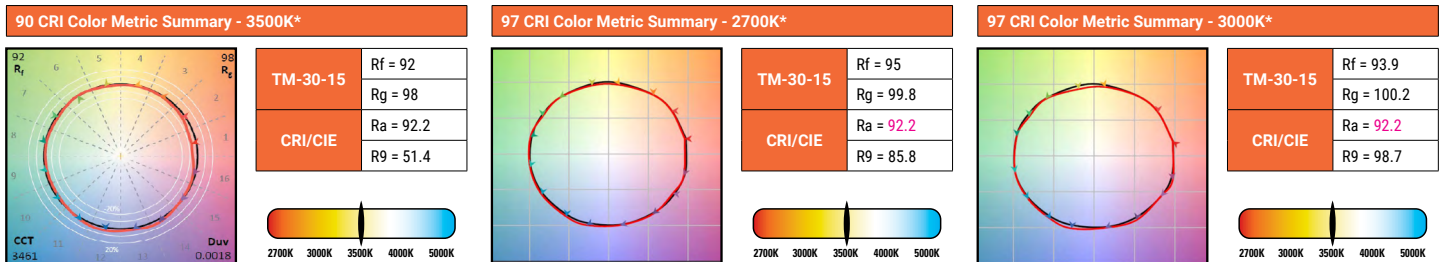
Series	2500 lumen		3000 lumen	
	120V	277V	120V	277V
Input Voltage 120-277VAC	120V	277V	120V	277V
Input Current (A)	0.276	0.121	0.276	0.121
Input Power (W)	32.98	32.57	32	32.57
In-rush (A)	2.5	11.8	3.6	11.8
Inrush duration (µs)	215	111	220	111
THDi (%)	9.86	6.57	5.57	6.57
PF	≥ 0.99	≥ 0.97	≥ 0.99	≥ 0.99

Minimum starting temperature -30°C (-22°F)*
(Nominal input 120-277VAC & 100% of rated output power)

Sound Rating: Class A standards

Notes:
Emergency Battery packs are rated for a minimum starting temperature of 0°C.

COLOR METRICS - TM-30-15 & CRI/CIE



* Color values are based on haze reflector, other finishes and field results may vary.

Photometric Data

[View IES files](#)

NON CONDUCTIVE		CANDLEPOWER DISTRIBUTION				CONE OF LIGHT				CANDELA TABLE		ZONAL LUMEN SUMMARY			LUMINANCE																																																								
Test Number	P571650									<table border="1"> <thead> <tr> <th>Degrees Vertical</th> <th>Candela</th> </tr> </thead> <tbody> <tr><td>0</td><td>720</td></tr> <tr><td>5</td><td>705</td></tr> <tr><td>15</td><td>678</td></tr> <tr><td>25</td><td>618</td></tr> <tr><td>35</td><td>526</td></tr> <tr><td>45</td><td>410</td></tr> <tr><td>55</td><td>237</td></tr> <tr><td>65</td><td>78</td></tr> <tr><td>75</td><td>2</td></tr> <tr><td>85</td><td>0</td></tr> <tr><td>90</td><td>0</td></tr> </tbody> </table>	Degrees Vertical	Candela	0	720	5	705	15	678	25	618	35	526	45	410	55	237	65	78	75	2	85	0	90	0	<table border="1"> <thead> <tr> <th>Zone</th> <th>Lumens</th> <th>% Fixture</th> </tr> </thead> <tbody> <tr><td>0-30</td><td>545</td><td>35.5</td></tr> <tr><td>0-40</td><td>876</td><td>57</td></tr> <tr><td>0-60</td><td>1425</td><td>92.7</td></tr> <tr><td>0-90</td><td>1537</td><td>100</td></tr> <tr><td>90-180</td><td>0</td><td>0</td></tr> <tr><td>0-180</td><td>1537</td><td>100</td></tr> </tbody> </table>	Zone	Lumens	% Fixture	0-30	545	35.5	0-40	876	57	0-60	1425	92.7	0-90	1537	100	90-180	0	0	0-180	1537	100	<table border="1"> <thead> <tr> <th>Average Candela Degrees</th> <th>Average 0° Luminance</th> </tr> </thead> <tbody> <tr><td>37</td><td>61218</td></tr> <tr><td>45</td><td>55920</td></tr> <tr><td>55</td><td>39886</td></tr> <tr><td>65</td><td>17740</td></tr> <tr><td>75</td><td>746</td></tr> <tr><td>85</td><td>0</td></tr> </tbody> </table>	Average Candela Degrees	Average 0° Luminance	37	61218	45	55920	55	39886	65	17740	75	746	85	0
Degrees Vertical	Candela																																																																						
0	720																																																																						
5	705																																																																						
15	678																																																																						
25	618																																																																						
35	526																																																																						
45	410																																																																						
55	237																																																																						
65	78																																																																						
75	2																																																																						
85	0																																																																						
90	0																																																																						
Zone	Lumens	% Fixture																																																																					
0-30	545	35.5																																																																					
0-40	876	57																																																																					
0-60	1425	92.7																																																																					
0-90	1537	100																																																																					
90-180	0	0																																																																					
0-180	1537	100																																																																					
Average Candela Degrees	Average 0° Luminance																																																																						
37	61218																																																																						
45	55920																																																																						
55	39886																																																																						
65	17740																																																																						
75	746																																																																						
85	0																																																																						
Housing	LDSSQ4C15D010	<table border="1"> <thead> <tr> <th>D</th> <th>FC</th> <th>L</th> <th>W</th> </tr> </thead> <tbody> <tr><td>4'</td><td>45.4</td><td>4.6</td><td>4.6</td></tr> <tr><td>7'</td><td>14.8</td><td>8.2</td><td>8.2</td></tr> <tr><td>9'</td><td>9</td><td>10.6</td><td>10.6</td></tr> <tr><td>13'</td><td>4.3</td><td>15.4</td><td>15.4</td></tr> <tr><td>16'</td><td>2.8</td><td>18.8</td><td>19</td></tr> </tbody> </table>		D	FC	L	W	4'	45.4	4.6	4.6	7'	14.8	8.2	8.2	9'	9	10.6	10.6	13'	4.3	15.4	15.4	16'	2.8	18.8	19																																												
D	FC	L	W																																																																				
4'	45.4	4.6	4.6																																																																				
7'	14.8	8.2	8.2																																																																				
9'	9	10.6	10.6																																																																				
13'	4.3	15.4	15.4																																																																				
16'	2.8	18.8	19																																																																				
Module	EU4C10209035	<table border="1"> <thead> <tr> <th>D</th> <th>FC</th> <th>L</th> <th>W</th> </tr> </thead> <tbody> <tr><td>4'</td><td>45.4</td><td>4.6</td><td>4.6</td></tr> <tr><td>7'</td><td>14.8</td><td>8.2</td><td>8.2</td></tr> <tr><td>9'</td><td>9</td><td>10.6</td><td>10.6</td></tr> <tr><td>13'</td><td>4.3</td><td>15.4</td><td>15.4</td></tr> <tr><td>16'</td><td>2.8</td><td>18.8</td><td>19</td></tr> </tbody> </table>		D	FC	L	W	4'	45.4	4.6	4.6	7'	14.8	8.2	8.2	9'	9	10.6	10.6	13'	4.3	15.4	15.4	16'	2.8	18.8	19																																												
D	FC	L	W																																																																				
4'	45.4	4.6	4.6																																																																				
7'	14.8	8.2	8.2																																																																				
9'	9	10.6	10.6																																																																				
13'	4.3	15.4	15.4																																																																				
16'	2.8	18.8	19																																																																				
Trim	4LBSSQMW	<table border="1"> <thead> <tr> <th>D</th> <th>FC</th> <th>L</th> <th>W</th> </tr> </thead> <tbody> <tr><td>4'</td><td>45.4</td><td>4.6</td><td>4.6</td></tr> <tr><td>7'</td><td>14.8</td><td>8.2</td><td>8.2</td></tr> <tr><td>9'</td><td>9</td><td>10.6</td><td>10.6</td></tr> <tr><td>13'</td><td>4.3</td><td>15.4</td><td>15.4</td></tr> <tr><td>16'</td><td>2.8</td><td>18.8</td><td>19</td></tr> </tbody> </table>		D	FC	L	W	4'	45.4	4.6	4.6	7'	14.8	8.2	8.2	9'	9	10.6	10.6	13'	4.3	15.4	15.4	16'	2.8	18.8	19																																												
D	FC	L	W																																																																				
4'	45.4	4.6	4.6																																																																				
7'	14.8	8.2	8.2																																																																				
9'	9	10.6	10.6																																																																				
13'	4.3	15.4	15.4																																																																				
16'	2.8	18.8	19																																																																				
Lumens	1537	<table border="1"> <thead> <tr> <th>D</th> <th>FC</th> <th>L</th> <th>W</th> </tr> </thead> <tbody> <tr><td>4'</td><td>45.4</td><td>4.6</td><td>4.6</td></tr> <tr><td>7'</td><td>14.8</td><td>8.2</td><td>8.2</td></tr> <tr><td>9'</td><td>9</td><td>10.6</td><td>10.6</td></tr> <tr><td>13'</td><td>4.3</td><td>15.4</td><td>15.4</td></tr> <tr><td>16'</td><td>2.8</td><td>18.8</td><td>19</td></tr> </tbody> </table>		D	FC	L	W	4'	45.4	4.6	4.6	7'	14.8	8.2	8.2	9'	9	10.6	10.6	13'	4.3	15.4	15.4	16'	2.8	18.8	19																																												
D	FC	L	W																																																																				
4'	45.4	4.6	4.6																																																																				
7'	14.8	8.2	8.2																																																																				
9'	9	10.6	10.6																																																																				
13'	4.3	15.4	15.4																																																																				
16'	2.8	18.8	19																																																																				
Efficacy	97.3 Lm/W	<table border="1"> <thead> <tr> <th>D</th> <th>FC</th> <th>L</th> <th>W</th> </tr> </thead> <tbody> <tr><td>4'</td><td>45.4</td><td>4.6</td><td>4.6</td></tr> <tr><td>7'</td><td>14.8</td><td>8.2</td><td>8.2</td></tr> <tr><td>9'</td><td>9</td><td>10.6</td><td>10.6</td></tr> <tr><td>13'</td><td>4.3</td><td>15.4</td><td>15.4</td></tr> <tr><td>16'</td><td>2.8</td><td>18.8</td><td>19</td></tr> </tbody> </table>		D	FC	L	W	4'	45.4	4.6	4.6	7'	14.8	8.2	8.2	9'	9	10.6	10.6	13'	4.3	15.4	15.4	16'	2.8	18.8	19																																												
D	FC	L	W																																																																				
4'	45.4	4.6	4.6																																																																				
7'	14.8	8.2	8.2																																																																				
9'	9	10.6	10.6																																																																				
13'	4.3	15.4	15.4																																																																				
16'	2.8	18.8	19																																																																				
SC	1.2	<table border="1"> <thead> <tr> <th>D</th> <th>FC</th> <th>L</th> <th>W</th> </tr> </thead> <tbody> <tr><td>4'</td><td>45.4</td><td>4.6</td><td>4.6</td></tr> <tr><td>7'</td><td>14.8</td><td>8.2</td><td>8.2</td></tr> <tr><td>9'</td><td>9</td><td>10.6</td><td>10.6</td></tr> <tr><td>13'</td><td>4.3</td><td>15.4</td><td>15.4</td></tr> <tr><td>16'</td><td>2.8</td><td>18.8</td><td>19</td></tr> </tbody> </table>		D	FC	L	W	4'	45.4	4.6	4.6	7'	14.8	8.2	8.2	9'	9	10.6	10.6	13'	4.3	15.4	15.4	16'	2.8	18.8	19																																												
D	FC	L	W																																																																				
4'	45.4	4.6	4.6																																																																				
7'	14.8	8.2	8.2																																																																				
9'	9	10.6	10.6																																																																				
13'	4.3	15.4	15.4																																																																				
16'	2.8	18.8	19																																																																				
UGR	24.8	<table border="1"> <thead> <tr> <th>D</th> <th>FC</th> <th>L</th> <th>W</th> </tr> </thead> <tbody> <tr><td>4'</td><td>45.4</td><td>4.6</td><td>4.6</td></tr> <tr><td>7'</td><td>14.8</td><td>8.2</td><td>8.2</td></tr> <tr><td>9'</td><td>9</td><td>10.6</td><td>10.6</td></tr> <tr><td>13'</td><td>4.3</td><td>15.4</td><td>15.4</td></tr> <tr><td>16'</td><td>2.8</td><td>18.8</td><td>19</td></tr> </tbody> </table>		D	FC	L	W	4'	45.4	4.6	4.6	7'	14.8	8.2	8.2	9'	9	10.6	10.6	13'	4.3	15.4	15.4	16'	2.8	18.8	19																																												
D	FC	L	W																																																																				
4'	45.4	4.6	4.6																																																																				
7'	14.8	8.2	8.2																																																																				
9'	9	10.6	10.6																																																																				
13'	4.3	15.4	15.4																																																																				
16'	2.8	18.8	19																																																																				

SHALLOW SQUARE MATTE WHITE		CANDLEPOWER DISTRIBUTION				CONE OF LIGHT				CANDELA TABLE		ZONAL LUMEN SUMMARY			LUMINANCE																																																								
Test Number	P563395									<table border="1"> <thead> <tr> <th>Degrees Vertical</th> <th>Candela</th> </tr> </thead> <tbody> <tr><td>0</td><td>720</td></tr> <tr><td>5</td><td>705</td></tr> <tr><td>15</td><td>678</td></tr> <tr><td>25</td><td>618</td></tr> <tr><td>35</td><td>526</td></tr> <tr><td>45</td><td>410</td></tr> <tr><td>55</td><td>237</td></tr> <tr><td>65</td><td>78</td></tr> <tr><td>75</td><td>2</td></tr> <tr><td>85</td><td>0</td></tr> <tr><td>90</td><td>0</td></tr> </tbody> </table>	Degrees Vertical	Candela	0	720	5	705	15	678	25	618	35	526	45	410	55	237	65	78	75	2	85	0	90	0	<table border="1"> <thead> <tr> <th>Zone</th> <th>Lumens</th> <th>% Fixture</th> </tr> </thead> <tbody> <tr><td>0-30</td><td>545</td><td>35.5</td></tr> <tr><td>0-40</td><td>876</td><td>57</td></tr> <tr><td>0-60</td><td>1425</td><td>92.7</td></tr> <tr><td>0-90</td><td>1537</td><td>100</td></tr> <tr><td>90-180</td><td>0</td><td>0</td></tr> <tr><td>0-180</td><td>1537</td><td>100</td></tr> </tbody> </table>	Zone	Lumens	% Fixture	0-30	545	35.5	0-40	876	57	0-60	1425	92.7	0-90	1537	100	90-180	0	0	0-180	1537	100	<table border="1"> <thead> <tr> <th>Average Candela Degrees</th> <th>Average 0° Luminance</th> </tr> </thead> <tbody> <tr><td>37</td><td>61218</td></tr> <tr><td>45</td><td>55920</td></tr> <tr><td>55</td><td>39886</td></tr> <tr><td>65</td><td>17740</td></tr> <tr><td>75</td><td>746</td></tr> <tr><td>85</td><td>0</td></tr> </tbody> </table>	Average Candela Degrees	Average 0° Luminance	37	61218	45	55920	55	39886	65	17740	75	746	85	0
Degrees Vertical	Candela																																																																						
0	720																																																																						
5	705																																																																						
15	678																																																																						
25	618																																																																						
35	526																																																																						
45	410																																																																						
55	237																																																																						
65	78																																																																						
75	2																																																																						
85	0																																																																						
90	0																																																																						
Zone	Lumens	% Fixture																																																																					
0-30	545	35.5																																																																					
0-40	876	57																																																																					
0-60	1425	92.7																																																																					
0-90	1537	100																																																																					
90-180	0	0																																																																					
0-180	1537	100																																																																					
Average Candela Degrees	Average 0° Luminance																																																																						
37	61218																																																																						
45	55920																																																																						
55	39886																																																																						
65	17740																																																																						
75	746																																																																						
85	0																																																																						
Housing	LDSSQ4C15D010	<table border="1"> <thead> <tr> <th>D</th> <th>FC</th> <th>L</th> <th>W</th> </tr> </thead> <tbody> <tr><td>4'</td><td>45.4</td><td>4.6</td><td>4.6</td></tr> <tr><td>7'</td><td>14.8</td><td>8.2</td><td>8.2</td></tr> <tr><td>9'</td><td>9</td><td>10.6</td><td>10.6</td></tr> <tr><td>13'</td><td>4.3</td><td>15.4</td><td>15.4</td></tr> <tr><td>16'</td><td>2.8</td><td>18.8</td><td>19</td></tr> </tbody> </table>		D	FC	L	W	4'	45.4	4.6	4.6	7'	14.8	8.2	8.2	9'	9	10.6	10.6	13'	4.3	15.4	15.4	16'	2.8	18.8	19																																												
D	FC	L	W																																																																				
4'	45.4	4.6	4.6																																																																				
7'	14.8	8.2	8.2																																																																				
9'	9	10.6	10.6																																																																				
13'	4.3	15.4	15.4																																																																				
16'	2.8	18.8	19																																																																				
Module	EU4C10209035	<table border="1"> <thead> <tr> <th>D</th> <th>FC</th> <th>L</th> <th>W</th> </tr> </thead> <tbody> <tr><td>4'</td><td>45.4</td><td>4.6</td><td>4.6</td></tr> <tr><td>7'</td><td>14.8</td><td>8.2</td><td>8.2</td></tr> <tr><td>9'</td><td>9</td><td>10.6</td><td>10.6</td></tr> <tr><td>13'</td><td>4.3</td><td>15.4</td><td>15.4</td></tr> <tr><td>16'</td><td>2.8</td><td>18.8</td><td>19</td></tr> </tbody> </table>		D	FC	L	W	4'	45.4	4.6	4.6	7'	14.8	8.2	8.2	9'	9	10.6	10.6	13'	4.3	15.4	15.4	16'	2.8	18.8	19																																												
D	FC	L	W																																																																				
4'	45.4	4.6	4.6																																																																				
7'	14.8	8.2	8.2																																																																				
9'	9	10.6	10.6																																																																				
13'	4.3	15.4	15.4																																																																				
16'	2.8	18.8	19																																																																				
Trim	4LBCSSQMW	<table border="1"> <thead> <tr> <th>D</th> <th>FC</th> <th>L</th> <th>W</th> </tr> </thead> <tbody> <tr><td>4'</td><td>45.4</td><td>4.6</td><td>4.6</td></tr> <tr><td>7'</td><td>14.8</td><td>8.2</td><td>8.2</td></tr> <tr><td>9'</td><td>9</td><td>10.6</td><td>10.6</td></tr> <tr><td>13'</td><td>4.3</td><td>15.4</td><td>15.4</td></tr> <tr><td>16'</td><td>2.8</td><td>18.8</td><td>19</td></tr> </tbody> </table>		D	FC	L	W	4'	45.4	4.6	4.6	7'	14.8	8.2	8.2	9'	9	10.6	10.6	13'	4.3	15.4	15.4	16'	2.8	18.8	19																																												
D	FC	L	W																																																																				
4'	45.4	4.6	4.6																																																																				
7'	14.8	8.2	8.2																																																																				
9'	9	10.6	10.6																																																																				
13'	4.3	15.4	15.4																																																																				
16'	2.8	18.8	19																																																																				
Lumens	1537	<table border="1"> <thead> <tr> <th>D</th> <th>FC</th> <th>L</th> <th>W</th> </tr> </thead> <tbody> <tr><td>4'</td><td>45.4</td><td>4.6</td><td>4.6</td></tr> <tr><td>7'</td><td>14.8</td><td>8.2</td><td>8.2</td></tr> <tr><td>9'</td><td>9</td><td>10.6</td><td>10.6</td></tr> <tr><td>13'</td><td>4.3</td><td>15.4</td><td>15.4</td></tr> <tr><td>16'</td><td>2.8</td><td>18.8</td><td>19</td></tr> </tbody> </table>		D	FC	L	W	4'	45.4	4.6	4.6	7'	14.8	8.2	8.2	9'	9	10.6	10.6	13'	4.3	15.4	15.4	16'	2.8	18.8	19																																												
D	FC	L	W																																																																				
4'	45.4	4.6	4.6																																																																				
7'	14.8	8.2	8.2																																																																				
9'	9	10.6	10.6																																																																				
13'	4.3	15.4	15.4																																																																				
16'	2.8	18.8	19																																																																				
Efficacy	97.3 Lm/W	<table border="1"> <thead> <tr> <th>D</th> <th>FC</th> <th>L</th> <th>W</th> </tr> </thead> <tbody> <tr><td>4'</td><td>45.4</td><td>4.6</td><td>4.6</td></tr> <tr><td>7'</td><td>14.8</td><td>8.2</td><td>8.2</td></tr> <tr><td>9'</td><td>9</td><td>10.6</td><td>10.6</td></tr> <tr><td>13'</td><td>4.3</td><td>15.4</td><td>15.4</td></tr> <tr><td>16'</td><td>2.8</td><td>18.8</td><td>19</td></tr> </tbody> </table>		D	FC	L	W	4'	45.4	4.6	4.6	7'	14.8	8.2	8.2	9'	9	10.6	10.6	13'	4.3	15.4	15.4	16'	2.8	18.8	19																																												
D	FC	L	W																																																																				
4'	45.4	4.6	4.6																																																																				
7'	14.8	8.2	8.2																																																																				
9'	9	10.6	10.6																																																																				
13'	4.3	15.4	15.4																																																																				
16'	2.8	18.8	19																																																																				
SC	1.2	<table border="1"> <thead> <tr> <th>D</th> <th>FC</th> <th>L</th> <th>W</th> </tr> </thead> <tbody> <tr><td>4'</td><td>45.4</td><td>4.6</td><td>4.6</td></tr> <tr><td>7'</td><td>14.8</td><td>8.2</td><td>8.2</td></tr> <tr><td>9'</td><td>9</td><td>10.6</td><td>10.6</td></tr> <tr><td>13'</td><td>4.3</td><td>15.4</td><td>15.4</td></tr> <tr><td>16'</td><td>2.8</td><td>18.8</td><td>19</td></tr> </tbody> </table>		D	FC	L	W	4'	45.4	4.6	4.6	7'	14.8	8.2	8.2	9'	9	10.6	10.6	13'	4.3	15.4	15.4	16'	2.8	18.8	19																																												
D	FC	L	W																																																																				
4'	45.4	4.6	4.6																																																																				
7'	14.8	8.2	8.2																																																																				
9'	9	10.6	10.6																																																																				
13'	4.3	15.4	15.4																																																																				
16'	2.8	18.8	19																																																																				
UGR	24	<table border="1"> <thead> <tr> <th>D</th> <th>FC</th> <th>L</th> <th>W</th> </tr> </thead> <tbody> <tr><td>4'</td><td>45.4</td><td>4.6</td><td>4.6</td></tr> <tr><td>7'</td><td>14.8</td><td>8.2</td><td>8.2</td></tr> <tr><td>9'</td><td>9</td><td>10.6</td><td>10.6</td></tr> <tr><td>13'</td><td>4.3</td><td>15.4</td><td>15.4</td></tr> <tr><td>16'</td><td>2.8</td><td>18.8</td><td>19</td></tr> </tbody> </table>		D	FC	L	W	4'	45.4	4.6	4.6	7'	14.8	8.2	8.2	9'	9	10.6	10.6	13'	4.3	15.4	15.4	16'	2.8	18.8	19																																												
D	FC	L	W																																																																				
4'	45.4	4.6	4.6																																																																				
7'	14.8	8.2	8.2																																																																				
9'	9	10.6	10.6																																																																				
13'	4.3	15.4	15.4																																																																				
16'	2.8	18.8	19																																																																				

SHALLOW SQUARE MATTE METALLIC SILVER		CANDLEPOWER DISTRIBUTION				CONE OF LIGHT				CANDELA TABLE		ZONAL LUMEN SUMMARY			LUMINANCE																																																								
Test Number	P563394									<table border="1"> <thead> <tr> <th>Degrees Vertical</th> <th>Candela</th> </tr> </thead> <tbody> <tr><td>0</td><td>588</td></tr> <tr><td>5</td><td>577</td></tr> <tr><td>15</td><td>554</td></tr> <tr><td>25</td><td>506</td></tr> <tr><td>35</td><td>430</td></tr> <tr><td>45</td><td>335</td></tr> <tr><td>55</td><td>194</td></tr> <tr><td>65</td><td>64</td></tr> <tr><td>75</td><td>2</td></tr> <tr><td>85</td><td>0</td></tr> <tr><td>90</td><td>0</td></tr> </tbody> </table>	Degrees Vertical	Candela	0	588	5	577	15	554	25	506	35	430	45	335	55	194	65	64	75	2	85	0	90	0	<table border="1"> <thead> <tr> <th>Zone</th> <th>Lumens</th> <th>% Fixture</th> </tr> </thead> <tbody> <tr><td>0-30</td><td>446</td><td>35.5</td></tr> <tr><td>0-40</td><td>716</td><td>57</td></tr> <tr><td>0-60</td><td>1166</td><td>92.7</td></tr> <tr><td>0-90</td><td>1257</td><td>100</td></tr> <tr><td>90-180</td><td>0</td><td>0</td></tr> <tr><td>0-180</td><td>1257</td><td>100</td></tr> </tbody> </table>	Zone	Lumens	% Fixture	0-30	446	35.5	0-40	716	57	0-60	1166	92.7	0-90	1257	100	90-180	0	0	0-180	1257	100	<table border="1"> <thead> <tr> <th>Average Candela Degrees</th> <th>Average 0° Luminance</th> </tr> </thead> <tbody> <tr><td>37</td><td>50067</td></tr> <tr><td>45</td><td>45740</td></tr> <tr><td>55</td><td>32618</td></tr> <tr><td>65</td><td>14498</td></tr> <tr><td>75</td><td>634</td></tr> <tr><td>85</td><td>0</td></tr> </tbody> </table>	Average Candela Degrees	Average 0° Luminance	37	50067	45	45740	55	32618	65	14498	75	634	85	0
Degrees Vertical	Candela																																																																						
0	588																																																																						
5	577																																																																						
15	554																																																																						
25	506																																																																						
35	430																																																																						
45	335																																																																						
55	194																																																																						
65	64																																																																						
75	2																																																																						
85	0																																																																						
90	0																																																																						
Zone	Lumens	% Fixture																																																																					
0-30	446	35.5																																																																					
0-40	716	57																																																																					
0-60	1166	92.7																																																																					
0-90	1257	100																																																																					
90-180	0	0																																																																					
0-180	1257	100																																																																					
Average Candela Degrees	Average 0° Luminance																																																																						
37	50067																																																																						
45	45740																																																																						
55	32618																																																																						
65	14498																																																																						
75	634																																																																						
85	0																																																																						
Housing	LDSSQ4C15D010	<table border="1"> <thead> <tr> <th>D</th> <th>FC</th> <th>L</th> <th>W</th> </tr> </thead> <tbody> <tr><td>4'</td><td>37.1</td><td>4.6</td><td>4.6</td></tr> <tr><td>7'</td><td>12.1</td><td>8.2</td><td>8.2</td></tr> <tr><td>9'</td><td>7.3</td><td>10.6</td><td>10.6</td></tr> <tr><td>13'</td><td>3.5</td><td>15.4</td><td>15.4</td></tr> <tr><td>16'</td><td>2.3</td><td>18.8</td><td>19</td></tr> </tbody> </table>		D	FC	L	W	4'	37.1	4.6	4.6	7'	12.1	8.2	8.2	9'	7.3	10.6	10.6	13'	3.5	15.4	15.4	16'	2.3	18.8	19																																												
D	FC	L	W																																																																				
4'	37.1	4.6	4.6																																																																				
7'	12.1	8.2	8.2																																																																				
9'	7.3	10.6	10.6																																																																				
13'	3.5	15.4	15.4																																																																				
16'	2.3	18.8	19																																																																				
Module	EU4C10209035	<table border="1"> <thead> <tr> <th>D</th> <th>FC</th> <th>L</th> <th>W</th> </tr> </thead> <tbody> <tr><td>4'</td><td>37.1</td><td>4.6</td><td>4.6</td></tr> <tr><td>7'</td><td>12.1</td><td>8.2</td><td>8.2</td></tr> <tr><td>9'</td><td>7.3</td><td>10.6</td><td>10.6</td></tr> <tr><td>13'</td><td>3.5</td><td>15.4</td><td>15.4</td></tr> <tr><td>16'</td><td>2.3</td><td>18.8</td><td>19</td></tr> </tbody> </table>		D	FC	L	W	4'	37.1	4.6	4.6	7'	12.1	8.2	8.2	9'	7.3	10.6	10.6	13'	3.5	15.4	15.4	16'	2.3	18.8	19																																												
D	FC	L	W																																																																				
4'	37.1	4.6	4.6																																																																				
7'	12.1	8.2	8.2																																																																				
9'	7.3	10.6	10.6																																																																				
13'	3.5	15.4	15.4																																																																				
16'	2.3	18.8	19																																																																				
Trim	4LBCSSQMMS	<table border="1"> <thead> <tr> <th>D</th> <th>FC</th> <th>L</th> <th>W</th> </tr> </thead> <tbody> <tr><td>4'</td><td>37.1</td><td>4.6</td><td>4.6</td></tr> <tr><td>7'</td><td>12.1</td><td>8.2</td><td>8.2</td></tr> <tr><td>9'</td><td>7.3</td><td>10.6</td><td>10.6</td></tr> <tr><td>13'</td><td>3.5</td><td>15.4</td><td>15.4</td></tr> <tr><td>16'</td><td>2.3</td><td>18.8</td><td>19</td></tr> </tbody> </table>		D	FC	L	W	4'	37.1	4.6	4.6	7'	12.1	8.2	8.2	9'	7.3	10.6	10.6	13'	3.5	15.4	15.4	16'	2.3	18.8	19																																												
D	FC	L	W																																																																				
4'	37.1	4.6	4.6																																																																				
7'	12.1	8.2	8.2																																																																				
9'	7.3	10.6	10.6																																																																				
13'	3.5	15.4	15.4																																																																				
16'	2.3	18.8	19																																																																				
Lumens	1257	<table border="1"> <thead> <tr> <th>D</th> <th>FC</th> <th>L</th> <th>W</th> </tr> </thead> <tbody> <tr><td>4'</td><td>37.1</td><td>4.6</td><td>4.6</td></tr> <tr><td>7'</td><td>12.1</td><td>8.2</td><td>8.2</td></tr> <tr><td>9'</td><td>7.3</td><td>10.6</td><td>10.6</td></tr> <tr><td>13'</td><td>3.5</td><td>15.4</td><td>15.4</td></tr> <tr><td>16'</td><td>2.3</td><td>18.8</td><td>19</td></tr> </tbody> </table>		D	FC	L	W	4'	37.1	4.6	4.6	7'	12.1	8.2	8.2	9'	7.3	10.6	10.6	13'	3.5	15.4	15.4	16'	2.3	18.8	19																																												
D	FC	L	W																																																																				
4'	37.1	4.6	4.6																																																																				
7'	12.1	8.2	8.2																																																																				
9'	7.3	10.6	10.6																																																																				
13'	3.5	15.4	15.4																																																																				
16'	2.3	18.8	19																																																																				
Efficacy	79.6 Lm/W	<table border="1"> <thead> <tr> <th>D</th> <th>FC</th> <th>L</th> <th>W</th> </tr> </thead> <tbody> <tr><td>4'</td><td>37.1</td><td>4.6</td><td>4.6</td></tr> <tr><td>7'</td><td>12.1</td><td>8.2</td><td>8.2</td></tr> <tr><td>9'</td><td>7.3</td><td>10.6</td><td>10.6</td></tr> <tr><td>13'</td><td>3.5</td><td>15.4</td><td>15.4</td></tr> <tr><td>16'</td><td>2.3</td><td>18.8</td><td>19</td></tr> </tbody> </table>		D	FC	L	W	4'	37.1	4.6	4.6	7'	12.1	8.2	8.2	9'	7.3	10.6	10.6	13'	3.5	15.4	15.4	16'	2.3	18.8	19																																												
D	FC	L	W																																																																				
4'	37.1	4.6	4.6																																																																				
7'	12.1	8.2	8.2																																																																				
9'	7.3	10.6	10.6																																																																				
13'	3.5	15.4	15.4																																																																				
16'	2.3	18.8	19																																																																				
SC	1.2	<table border="1"> <thead> <tr> <th>D</th> <th>FC</th> <th>L</th> <th>W</th> </tr> </thead> <tbody> <tr><td>4'</td><td>37.1</td><td>4.6</td><td>4.6</td></tr> <tr><td>7'</td><td>12.1</td><td>8.2</td><td>8.2</td></tr> <tr><td>9'</td><td>7.3</td><td>10.6</td><td>10.6</td></tr> <tr><td>13'</td><td>3.5</td><td>15.4</td><td>15.4</td></tr> <tr><td>16'</td><td>2.3</td><td>18.8</td><td>19</td></tr> </tbody> </table>		D	FC	L	W	4'	37.1	4.6	4.6	7'	12.1	8.2	8.2	9'	7.3	10.6	10.6	13'	3.5	15.4	15.4	16'	2.3	18.8	19																																												
D	FC	L	W																																																																				
4'	37.1	4.6	4.6																																																																				
7'	12.1	8.2	8.2																																																																				
9'	7.3	10.6	10.6																																																																				
13'	3.5	15.4	15.4																																																																				
16'	2.3	18.8	19																																																																				
UGR	24	<table border="1"> <thead> <tr> <th>D</th> <th>FC</th> <th>L</th> <th>W</th> </tr> </thead> <tbody> <tr><td>4'</td><td>37.1</td><td>4.6</td><td>4.6</td></tr> <tr><td>7'</td><td>12.1</td><td>8.2</td><td>8.2</td></tr> <tr><td>9'</td><td>7.3</td><td>10.6</td><td>10.6</td></tr> <tr><td>13'</td><td>3.5</td><td>15.4</td><td>15.4</td></tr> <tr><td>16'</td><td>2.3</td><td>18.8</td><td>19</td></tr> </tbody> </table>		D	FC	L	W	4'	37.1	4.6	4.6	7'	12.1	8.2	8.2	9'	7.3	10.6	10.6	13'	3.5	15.4	15.4	16'	2.3	18.8	19																																												
D	FC	L	W																																																																				
4'	37.1	4.6	4.6																																																																				
7'	12.1	8.2	8.2																																																																				
9'	7.3	10.6	10.6																																																																				
13'	3.5	15.4	15.4																																																																				
16'	2.3	18.8	19																																																																				

Photometric Multipliers (Nominal Lumen Values)

250 Lumen	500 Lumen	800 Lumen	1000 Lumen	1500 Lumen	2000 Lumen	2500 Lumen	3000 Lumen
0.224	0.423	0.569	0.653	1.00	1.29	1.62	1.902

Multipliers for relative lumen values with other series models.

CCT Multipliers – 90CRI

2400K	2700K	3000K	3500K	4000K	5000K
0.912	0.949	0.986	1	1.001	1.022

Multipliers for relative lumen values with other series color temperatures.

CCT Multipliers – 97CRI

2700K	3000K	3500K	4000K	5000K
0.889	0.955	1	1.016	1.07

Multipliers for relative lumen values with other series color temperatures.

Multi-line Order Information

SAMPLE ORDER NUMBER: **LDSSQ4C10D010TRIEM14**

Invoice will indicate separate fixture components (housing, trim, module) and may ship from multiple CLS facilities in separate cartons.

 Single line Ordering Information Option

Housing	Lumens ⁽²⁾	
LDSSQ4C =LED Square Downlight 4" Nominal Aperture	02 =250 lumens	20 =2000 lumens
LDSSQ4CCP =LED Square Downlight 4" Nominal Aperture, Chicago Plenum	05 =500 lumens	25 =2500 lumens
	08 =800 lumens	30 =3000 lumens
	10 =1000 lumens	35 =3500 lumens
	15 =1500 lumens	40 =4000 lumens

Specify from Driver column. Information below for reference only.

Driver	Remote driver & plug in driver
D010 = 0-10V Dimming, 1% to 100%, 120V-277V up to 4000 lumens (up to 3000 lumens for remote driver) 1D010 =0-10V Dimming, 1% to 100%, 120V, 3500 to 4000 lumens for remote driver only 2D010 =0-10V Dimming, 1% to 100%, 277V, 3500 to 4000 lumens for remote driver only 3D010 =0-10V Dimming, 1% to 100%, 347V dedicated drivers for 800 to 4000 lumens; 250, and 500 use step down transformers	250-4000 with 90 & 97 CRI
D010TR = 0-10V Dimming, 5% to 100%,120V-277V or 120V line voltage dimming, 250- 4000 lumens (up to 3000 lumens for remote driver) 1D010R =0-10V or line voltage Dimming, 0% to 100%, 120V, 3500 to 4000 lumens for remote driver only 2D010R =0-10V Dimming, 0% to 100%, 277V, 3500 to 4000 lumens for remote driver only 3D010TR =0-10V or line voltage Dimming, 5% to 100%, 347V step down transformer 250-4,000	250-4000 with 90 & 97 CRI
DE010 = 0-10V Dimming, 0% to 100%, 120V-277V 500-4000 lumens (up to 3000 lumens for remote driver) 1D010R =0-10V Dimming, 5% to 100%, 120V, 3500 to 4000 lumens for remote driver only 2D010R =0-10V Dimming, 5% to 100%, 277V, 3500 to 4000 lumens for remote driver only 3DE010 =0-10V Dimming, 0% to 100%, 347V step down transformer 500-4000 lumens	500-4000 with 90 & 97 CRI
D5LT = Fifth Light® (DALI T6) Logarithmic Dimming, 0% to 100%, 120V-277V, 500-4000 lumens (up to 3000 lumens for remote driver) 1D5LT =Fifth Light® (DALI T6) Logarithmic Dimming, 0% to 100%, 120V, 3500 to 4000 lumens for remote driver only 2D5LT =Fifth Light® (DALI T6) Logarithmic Dimming, 0% to 100%, 277V, 3500 to 4000 lumens for remote driver only 3D5LT =Fifth Light® (DALI T6) Logarithmic Dimming, 0% to 100%, 347V step down transformer, 500-4000 lumens	500-4000 with 90 & 97 CRI
DMX = DMX/RDM Logarithmic Dimming, 0% to 100%, 120V-277V 800-4000 lumens (up to 3000 lumens for remote driver) ⁽⁵⁾ 1DMX = DMX/RDM Logarithmic Dimming, 0% to 100%, 120V, 3500 to 4000 lumens for remote driver only ⁽⁵⁾ 2DMX =DMX/RDM Logarithmic Dimming, 0% to 100%, 277V, 3500 to 4000 lumens for remote driver only ⁽⁵⁾ 3DMX =DMX/RDM Logarithmic Dimming, 0% to 100%, 347V step down transformer, 800-4000 ⁽⁵⁾	800-4000 with 90 & 97 CRI
DMXC5 = DMX/RDM Logarithmic Dimming, 0% to 100%, 120V-277V, 800-4000 lumens, RJ45 Connection (up to 3000 lumens for remote driver) ⁽⁵⁾ 1DMXC5 =DMX/RDM Logarithmic Dimming, 0% to 100%, 120V, 3500 to 4000 lumens for remote driver only, RJ45 Connection ⁽⁵⁾ 2DMXC5 =DMX/RDM Logarithmic Dimming, 0% to 100%, 277V, 3500 to 4000 lumens for remote driver only, RJ45 Connection ⁽⁵⁾ 3DMXC5 =DMX/RDM Logarithmic Dimming, 0% to 100%, 347V step down transformer, 800-4000, RJ45 Connection ⁽⁵⁾	800-4000 with 90 & 97 CRI
1DL2 = Lutron® Hi-Lume Forward Phase Dimming, 1% to 100%, 120V Only 800-3500 lumens 3DL2 = Lutron® Hi-Lume Forward Phase Dimming, 1% to 100%, 347V step down transformer, 800-3500 lumens	800-3500 with 90 & 97 CRI (Limited to 25' for remote driver)
DLE = Lutron Ecosystem dimming 1% to 100%, 120V-277V, 800-3500 lumens (up to 3000 lumens for remote driver) 1DLE =Lutron Ecosystem dimming 1% to 100%, 120V, 3500 lumens for remote driver only 2DLE =Lutron Ecosystem dimming 1% to 100%, 277V, 3500 lumens for remote driver only 3DLE =Lutron Ecosystem dimming 1% to 100%, 120V-277V, step down transformer, 800-3500 lumens	800-3500 with 90 & 97 CRI (Limited to 25' for remote driver)
DLV = Low voltage dimming driver (1-100%) for use with DLVP system 800-3000 lumens ⁽⁶⁾	800-4000 with 90 & 97 CRI (Not offered with plug in driver)

Driver Options	Options ⁽⁶⁾ ⁽¹⁹⁾ ⁽²⁰⁾ ⁽²¹⁾
Blank =Integral driver R =Remote driver (order remote driver separately) PD =Plug in Driver ⁽⁶⁾	EM6 =6W Emergency Module with Remote Test Switch WPN = WaveLinX PRO Wireless Node without sensor ⁽²³⁾

SAMPLE ORDER NUMBER: **EU4C10209035**

Power Module	Lumen Levels ⁽²⁾	CRI ⁽²⁾	Color	
EU4C =4-inch Universal LED Module	0208IC =250, 500, 800 lumens, IC Rated (For use with all drivers, min 500 lumen with DE010 and D5LT, min 800 lumens with DLVP, Lutron and DMX) 1020 =1000, 1500, 2000 lumens 1015IC =1000, 1500 lumens IC Rated 2540 =2500, 3000, 3500, 4000 lumens (For use with Lutron 3000-3500, DLVP 3000 lumens, DMX, D010, D010TR, D5LT and DE010 3000-4000)	90 =90 CRI Minimum 97 =97 CRI Minimum	90 CRI 24 =2400K 27 =2700K 30 =3000K 35 =3500K 40 =4000K 50 =5000K	97 CRI 27 =2700K 30 =3000K

Continued on next page.

Multi-line Order Information

SAMPLE ORDER NUMBER: **4LBM2H**

Trim	Reflector	Flange	Finish
4LB=4" LED	CSSQ=Cast Shallow Square, Die Cast Aluminum	1=Self flanged⁽¹⁴⁾ 2=White painted self flanged 4=Knife edge rimless use with die cast only⁽¹⁵⁾	MW=Matte White MB=Matte Black MMS=Matte Metallic Silver

REQUIRED if Remote Driver (R) is specified

SAMPLE ORDER NUMBER: **RC10010D010TREM7**

Remote Drivers ⁽⁶⁾		Lumens ^{(2) (4)}	
RC100=Remote 100ft	RC15=Remote 15ft	02=250 lumens	20=2000 lumens
RC75=Remote 75ft	RC5=Remote 5ft	05=500 lumens	25=2500 lumens
RC50=Remote 50ft	RC2=Remote 2ft	08=800 lumens	30=3000 lumens
RC25=Remote 25ft		10=1000 lumens	35=3500 lumens
		15=1500 lumens	40=4000 lumens

Driver
D010 = 0-10V Dimming, 1% to 100%, 120V-277V, 250-3,000 lumens 1D010 = 0-10V Dimming, 1% to 100%, 120V, 3500-4000 lumens 2D010 = 0-10V Dimming, 1% to 100%, 277V, 3500-4000 lumens 3D010 = 0-10V Dimming, 1% to 100%, 347V dedicated drivers for 800 to 4000 lumens; 250 and 500 lumens use step down transformer
D010TR = 0-10V Dimming, 5% to 100%, 120V-277V or 120V line voltage dimming, 120V-277V, 250- 3000 lumens 1D010TR = 0-10V or line voltage Dimming, 5% to 100%, 120V, 3,500-4,000 lumens 2D010TR = 0-10V Dimming, 5% to 100%, 277V, 3,500-4,000 lumens 3D010TR = 0-10V or line voltage Dimming, 5% to 100% 347V step down transformer, 250-4,000 lumens
DE010 = 0-10V Dimming, 0% to 100%, 120V-277V, 500-3,000 lumens 1DE010 = 0-10V Dimming, 0% to 100%, 120V, 3,500-4,000 lumens 2DE010 = 0-10V Dimming, 0% to 100%, 277V, 3,500-4,000 lumens 3DE010 = 0-10V Dimming, 0% to 100% 0-10V Dimming 347V step down transformer, 500-4,000 lumens
D5LT = Fifth Light® (DALI T6) Logarithmic Dimming, 0% to 100%, 120V-277V, 500-3,000 lumens 1D5LT = Fifth Light® (DALI T6) Logarithmic Dimming, 0% to 100%, 120V, 3,500-4,000 lumens 2D5LT =Fifth Light® (DALI T6) Logarithmic Dimming, 0% to 100%, 277V, 3,500-4,000 lumens 3D5LT =Fifth Light® (DALI T6) Logarithmic Dimming, 0% to 100% 347V step down transformer, 500-4,000 lumens
DMX = DMX/RDM Logarithmic Dimming, 0% to 100%, 120V-277V, 800-3,00 lumens ⁽⁵⁾ 1DMX =DMX/RDM Logarithmic Dimming, 0% to 100%, 120V, 3,500-4,000 ⁽⁵⁾ 2DMX =DMX/RDM Logarithmic Dimming, 0% to 100%, 277V, 3,500-4,000 ⁽⁵⁾ 3DMX =DMX/RDM Logarithmic Dimming, 0% to 100%, 347V step down transformer, 800-4,000 ⁽⁵⁾
DMXC5 = DMX/RDM Logarithmic Dimming, 0% to 100%, 120V-277V up to 800-3,000 lumens, RJ45 Connection ⁽⁵⁾ 1DMXC5 =DMX/RDM Logarithmic Dimming, 0% to 100%, 120V, 3,500-4,000 lumens, RJ45 Connection ⁽⁵⁾ 2DMXC5 =DMX/RDM Logarithmic Dimming, 0% to 100%, 277V, 3,500-4,000 lumens, RJ45 Connection ⁽⁵⁾ 3DMXCF =DMX/RDM Logarithmic Dimming, 0% to 100%, 347V step down transformer, 800-4,000 lumens, RJ45 Connection ⁽⁵⁾
1DL2 = Lutron® Hi-Lume Forward Phase Dimming, 1% to 100%, 120V Only, 25' Max remote length, 800-3500 lumens 3DL2 = Lutron® Hi-Lume Forward Phase Dimming, 1% to 100%, 347V step down transformer, 800-3,500 lumens
DLE = Lutron Ecosystem dimming 1% to 100%, 120V-277V, 800-3,000 lumens 1DLE =Lutron Ecosystem dimming 1% to 100%, 120V, 3,500 lumens 2DLE =Lutron Ecosystem dimming 1% to 100%, 120V-277V, 3,500 lumens 3DLE =Lutron Ecosystem dimming 1% to 100%, 347V, step down transformer, 800-3,500 lumens
DLV = Low voltage dimming driver (1-100%) for use with DLVP system, 800-3000 lumens ⁽⁶⁾

Options ^{(6) (19) (20) (21)}	Controls
EMBOD =Bodine® Emergency Module with Remote Test Switch EMBOD6ST =Bodine® 6W Self Test Emergency Module with Remote Test Switch EM7 =7W Emergency Module with Remote Test Switch EM14 =14W Emergency Module with Remote Test Switch	EMBOD7ST =Bodine® Self Test Emergency Module EMV7 =7W Low Voltage Emergency Module with Remote Test Switch ⁽⁷⁾ EMV14 =14W Low Voltage Emergency Module with Remote Test Switch ⁽⁷⁾ ETRD =Emergency transfer device ⁽²²⁾
	WPST =Factory installed Wavelinx (includes control module, sensor, cable, tilemount and ceiling mount sensor) ^{(11) (13)} WLST =Factory installed Wavelinx LITE Sensor Kit ^{(11) (12)} WPN = Wavelinx PRO Wireless Node without sensor ⁽²³⁾

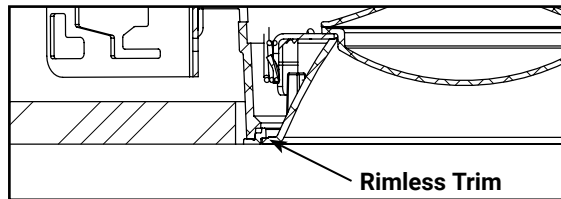
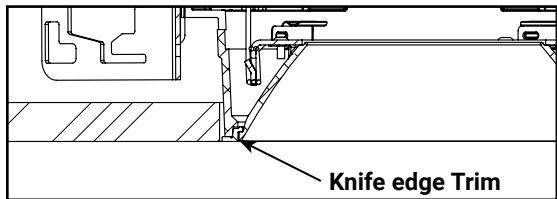
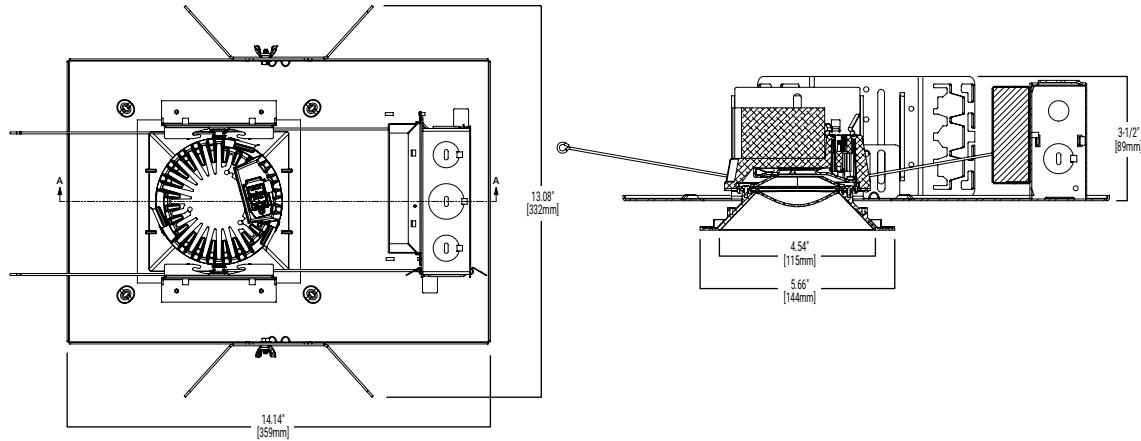
Continued on next page.

Multi-line Order Information

Accessories (Sold separately) ⁽¹⁶⁾			
LGSKT4SQIP66 =IP66 Gasket Kit	RPMSQ4MW =Rimless Millwork Ring, Matte White ⁽¹⁷⁾	Bar Hangers	Connected Lighting Systems ⁽⁶⁾⁽¹¹⁾
PRSQ4 = Rimless Plaster Ring ⁽¹⁷⁾	RPMSQ4MB =Rimless Millwork Ring, Matte Black ⁽¹⁷⁾	HB26 =C-channel Bar Hanger, 26" Long, Pair	WPST = Field installed WaveLinX sensor Kit ⁽¹³⁾
RKPSQ4 = Knife Edge plaster Ring ⁽¹⁸⁾	RKMSQ4MW =Knife Edge Millwork Ring, Matte White ⁽¹⁸⁾	HB50 =C-channel Bar Hanger, 50" Long, Pair	WLST = Field installed WaveLinX LITE Sensor Kit ⁽¹²⁾
	RKMSW4MB =Knife Edge Millwork Ring, Matte Black ⁽¹⁸⁾	RMB22 =Wood Joist Bar Hanger, 22" Long, Pair	

- Notes:**
- 2. Nominal Lumens will vary depending on selected color, CRI, driver and reflector finish. [Reference Multiplier tables.](#)
 - 4. IC rated up to 3000 lumens for 90 & 97 CRI
 - 5. DMX fixtures default to full on upon loss of DMX signal.
 - 6. Not available with Chicago Plenum.
 - 7. ULUS listed only
 - 8. Not available with DLVP
 - 11. Refer to system specifications for additional information, features, and benefits. Order either factory installed option or accessory. Use with 0-10V driver.
 - 12. WLST = WaveLinX LITE tilemount sensor kit for daylight dimming, PIR motion sensing, use with D010 only (Refer to WaveLinX LITE system specifications)
 - 13. WPST = WaveLinX wireless sensor kit for daylight dimming, PIR motion sensing, and optional RLTS - Real Time Location Services, use with 0-10V only.
 - 14. Flange is the same finish as the reflector
 - 15. Requires knife edge ring
 - 16. Accessories sold separately will be separately analyzed under domestic preference.
 - 17. Order trim with flange type 3.
 - 18. Order die cast trim with flange type 4
 - 19. For remote driver order emergency module with the remote driver.
 - 20. 120V-277V
 - 21. Non-IC
 - 22. Used to bypass local control during outage. Must be used in conjunction with UL 1008 device (provided by others)
 - 23. WPN = WaveLinX PRO wireless node provides luminaire-level control with scene and zone configuration without an integrated sensor; Connects wirelessly with daylight dimming sensor and PIR motion sensor if desired. Use with 0-10V driver only.

Dimensional and Mounting Details



Connected Solutions

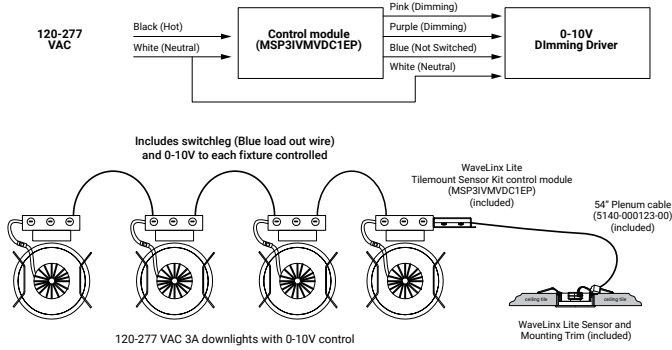
WaveLinX LITE - WLST Tilemount Sensor



- Intuitive Android™ or Apple® iOS® app for basic system code compliant set up and configuration via Bluetooth
- Up to 28 unique areas per project site (WaveLinX LITE Bluetooth network)
- Up to 50 devices for an area, any one of 16 control zones, up to 6 occupancy sets, and custom lighting scenes
- Automatic occupancy or vacancy, sensor sensitivity, daylight dimming, etc. configurable through the app
- Refer to the WaveLinX system specifications for details



WaveLinX LITE WLST Tilemount Wiring Diagram



WaveLinX LITE Bluetooth Enabled System



WaveLinX PRO Wireless – WPST Tilemount Sensor



- WaveLinX PRO Wireless functionality configures zones and customizes settings from one secure mobile app
- Automatic code commissioning that meets the strictest codes
- Fixtures and sensors integrate with Wireless Area Controller, Wall Stations, and Control Devices
- Stand-Along Offices or Entire Building Network Installations

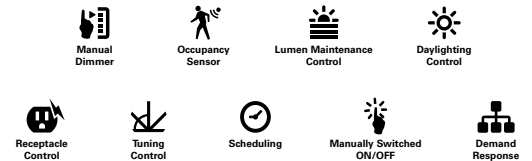
Downlights with tilemount sensor wireless communication
Highly efficient LED fixtures

WaveLinX Area Controller
Provides centralized coordination of multiple area control options

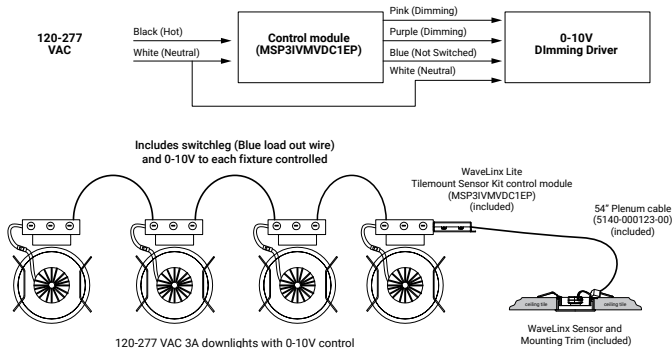
Wireless Wall Station/Receptacle
Provides customized wireless control of each area

Mobile Applications
Provides personalized, local control from a tablet or smartphone

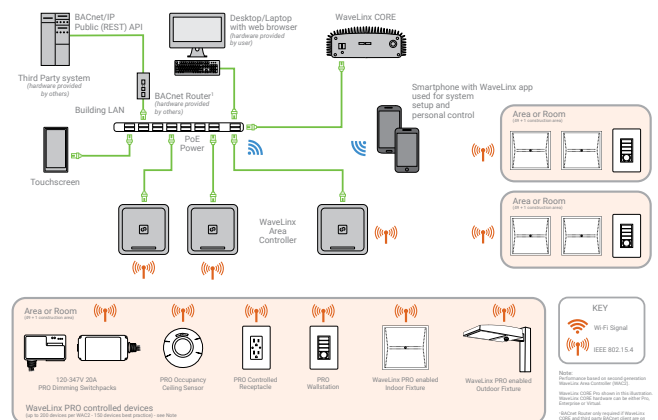
WaveLinX mobile app settings



WaveLinX PRO WPST Tilemount Wiring Diagram



WaveLinX CORE Building Management Integration



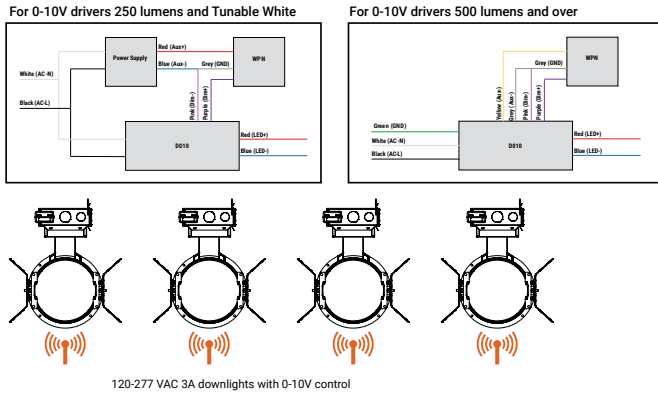
Connected Solutions

WaveLinx PRO Wireless Node - WPN

- WaveLinx Wireless functionality configures zones and customizes settings from one secure mobile app
- Automatic code commissioning that meets the strictest codes
- Fixtures and sensors integrate with WaveLinx Area Controller, Wall Stations, and Control Devices
- Stand-Alone Offices or Entire Building Network Installations



WaveLinx PRO Wireless Node (WPN) Wiring Diagram



WaveLinx CORE Building Management Integration

