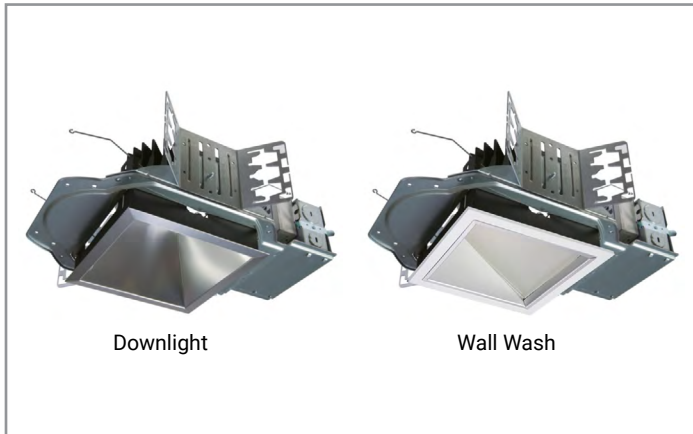


Project		Catalog #		Type	
Prepared by		Notes		Date	



## Portfolio

### LDSQ6C | EU6C | 6LBSQ

6" Square, New Construction Downlight and Wall Wash

250-15,000 Lumens

#### Typical Applications

Office • Education • Healthcare • Hospitality • Retail • Code-Compliance Areas • Sports Venues

#### Interactive Menu

- Order Information [page 2](#)
- Product Specifications [page 4](#)
- Dimensional & Mounting Details [page 5](#)
- Energy Data [page 6](#)
- Photometric Data [page 7](#)
- Connected System [page 13](#)
- Product Warranty

#### Product Certification



#### Product Features



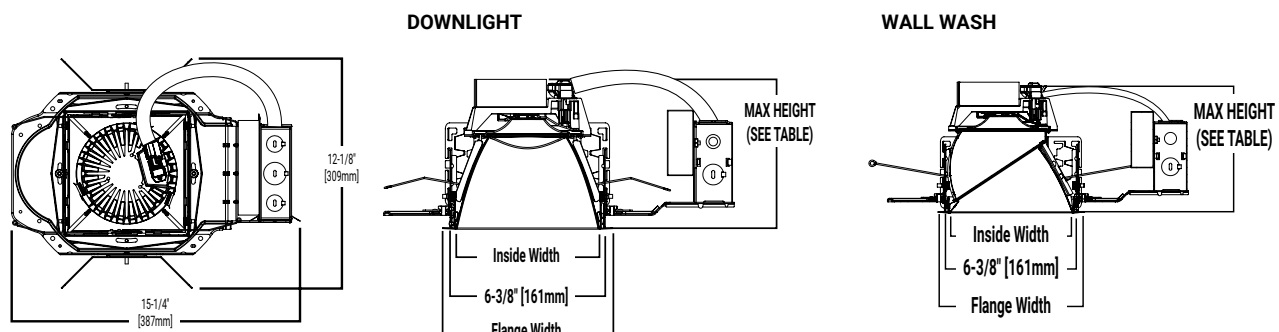
#### Control Compatibility



#### Top Product Features

- 250-15,000 lumens; Offered in 90, 97 and 98 CRI; ENERGY STAR® qualified
- Optional snap in driver for ease of replacement; Die-cast or anodized aluminum reflectors
- Standard 0-10V driver dims to 1%; Easy disconnect for LED engine replacement and installation
- 2400K, 2700K, 3000K, 3500K, 4000K, 5000K; D2W™ option from 3000K to 1850K
- W2N tunable white CCT range 2700K to 6500K or 2000K to 5000K

### Dimensional and Mounting Details



[CLICK HERE](#)  
dimension information

## Single Line Order Information

SAMPLE ORDER NUMBER: **LDSQ6C109030D010SQ1LI**

Invoice will indicate separate fixture components (housing, trim, module) which will ship complete from a single CLS facility in separate cartons. To receive separate components (housing, trim, module) shipment, click on the "Multi-Line Ordering Information Option" button to the right.

 Multi-line Ordering Information Option

Housing	Lumen <sup>(1)</sup>				Color Control	CCT <sup>(20)</sup>	
<b>LDSQ6C</b> =LED Square Downlight 6" Nominal Aperture	<b>02</b> = 250 lumens, IC rated	<b>20</b> = 2000 Lumens	<b>55</b> = 5500 Lumens <sup>(10)</sup>	<b>100</b> = 10,000 Lumens <sup>(10)</sup>	<b>90</b> =90 CRI Minimum <b>97</b> =97 CRI Minimum	<b>90 CRI</b>	<b>97 CRI</b>
<b>LDSQ6C</b> <b>CP</b> =LED Square Downlight 6" Nominal Aperture, Chicago Plenum	<b>05</b> = 500 lumens, IC rated	<b>25</b> = 2500 lumens	<b>60</b> = 6000 Lumens <sup>(10)</sup>	<b>110</b> = 11,000 Lumens <sup>(10)</sup>		<b>24</b> =2400K <b>27</b> =2700K <b>30</b> =3000K <b>35</b> =3500K <b>40</b> =4000K <b>50</b> =5000K	<b>27</b> =2700K <b>30</b> =3000K
	<b>08</b> = 800 lumens, IC rated	<b>30</b> = 3000 Lumens	<b>65</b> = 6500 Lumens <sup>(10)</sup>	<b>120</b> = 12,000 Lumens <sup>(10)</sup>			
	<b>10</b> = 1000 Lumens	<b>35</b> = 3500 lumens	<b>70</b> = 7000 Lumens <sup>(10)</sup>	<b>130</b> = 13,000 Lumens <sup>(10)</sup>			
	<b>10IC</b> = 1000 Lumens, IC rated	<b>40</b> = 4000 Lumens	<b>75</b> = 7500 Lumens <sup>(10)</sup>	<b>150</b> = 15,000 Lumens <sup>(10)</sup>			
	<b>15</b> = 1500 Lumens	<b>45</b> = 4500 Lumens <sup>(10)</sup>	<b>80</b> = 8000 Lumens <sup>(10)</sup>				
	<b>15IC</b> = 1500 Lumens, IC rated	<b>50</b> = 5000 Lumens <sup>(10)</sup>	<b>90</b> = 9000 Lumens <sup>(10)</sup>				

Driver	Specify from Driver column. Information below for reference only.	Driver Options	Hanger Bars
	Remote driver & plug in driver		
<b>D010</b> =0-10V Dimming, 1% to 100%, 120V-277V, up to 7000 lumens (up to 3000 lumens for remote driver) <b>1D010</b> =0-10V Dimming, 1% to 100%, 120V, 7500 lumens & above (3500 to 7000 lumens for remote driver) <b>2D010</b> =0-10V Dimming, 1% to 100%, 277V, 7500 lumens & above (3500 to 7000 lumens for remote driver) <b>3D010</b> =0-10V Dimming, 1% to 100%, 347V dedicated drivers, 800-4000 lumens; 250, 500, 4500 & above use step down transformer (250 to 7000 lumens for remote driver)	250-7000	<b>Blank</b> = Integral driver <b>RC100</b> = Remote 100ft <sup>(9)</sup> <sup>(24)</sup> <b>RC75</b> = Remote 75ft <sup>(9)</sup> <sup>(24)</sup> <b>RC50</b> = Remote 50ft <sup>(9)</sup> <sup>(24)</sup> <b>RC25</b> = Remote 25ft <sup>(9)</sup> <sup>(24)</sup> <b>RC15</b> = Remote 15ft <sup>(9)</sup> <sup>(24)</sup> <b>RC5</b> = Remote 5ft <sup>(9)</sup> <sup>(24)</sup> <b>RC2</b> = Remote 2ft <sup>(9)</sup> <sup>(24)</sup> <b>PD</b> = Plug in Driver	<b>Blank</b> = Without hanger bars <b>B26</b> = C-channel Bar Hanger, 26" Long, Pair
<b>D010TR</b> =0-10V (120-277V) or Line Voltage (120V) dimming, 5-100%, 250- 4500 lumens (up to 3000 lumens for remote driver) <b>1D010TR</b> =0-10V or Line Voltage Dimming, 5% to 100%, 120V, 5000-9000 & 13,000 lumens (3500 to 4500 lumens for remote driver) <b>2D010TR</b> =0-10V Dimming, 5% to 100%, 277V, 5000-9000 & 13,000 lumens (3500 to 4500 lumens for remote driver) <b>3D010TR</b> =0-10V Dimming, 5% to 100%, 347V step down transformer, 250-9000 & 13,000 lumens (250 to 4500 lumens for remote driver)	250-4500		
<b>DE010</b> =0-10V Dimming, 0% to 100%, 120V-277V, 500-7000 lumens (up to 3000 lumens for remote driver) <b>1DE010</b> =0-10V Dimming, 0% to 100%, 120V, 7500 lumens & above (3500 to 7000 lumens for remote driver) <b>2DE010</b> =0-10V Dimming, 0% to 100%, 277V, 7500 lumens & above (3500 to 7000 lumens for remote driver) <b>3DE010</b> =0-10V Dimming, 0% to 100%, 347V step down transformer, 500-15,000 lumens (500 to 7000 lumens for remote driver)	500-7000		
<b>D5LT</b> =Fifth Light® (DALI T6) Logarithmic Dimming, 0% to 100%, 120V-277V, 500-7000 lumens (up to 3000 lumens for remote driver) <b>1D5LT</b> =Fifth Light® (DALI T6) Logarithmic Dimming, 0% to 100%, 120V, 7500 lumens & above (3500 to 7000 lumens for remote driver) <b>2D5LT</b> =Fifth Light® (DALI T6) Logarithmic Dimming, 0% to 100%, 277V, 7500 lumens & above (3500 to 7000 lumens for remote driver) <b>3D5LT</b> =Fifth Light® (DALI T6) Logarithmic Dimming, 0% to 100% 347V step down transformer, 500-15,000 lumens (500 to 7000 lumens for remote driver)	500-7000		
<b>DMX</b> =DMX/RDM Logarithmic Dimming, 0% to 100%, 120V-277V, 800-4500 lumens (up to 3000 lumens for remote driver) <sup>(14)</sup> <b>1DMX</b> = DMX/RDM Logarithmic Dimming, 0% to 100%, 120V, 5000-9000 & 13,000 lumens (3500 to 4500 lumens for remote driver) <sup>(14)</sup> <b>2DMX</b> =DMX/RDM Logarithmic Dimming, 0% to 100%, 277V, 5000-9000 & 13,000 lumens (3500 to 4500 lumens for remote driver) <sup>(14)</sup> <b>3DMX</b> =DMX/RDM Logarithmic Dimming, 0% to 100%, 347V step down transformer, 800-9000 & 13,000 lumens (800 to 4500 lumens for remote driver) <sup>(14)</sup>	800-4500		
<b>DMXC5</b> =DMX/RDM Logarithmic Dimming, 0% to 100%, 120V-277V, 800-4500 lumens, RJ45 Connection (up to 3000 lumens for remote driver) <sup>(14)</sup> <b>1DMXC5</b> =DMX/RDM Logarithmic Dimming, 0% to 100%, 120V, 5000-9000 & 13,000 lumens, RJ45 Connection (3500 to 4500 lumens for remote driver) <sup>(14)</sup> <b>2DMXC5</b> =DMX/RDM Logarithmic Dimming, 0% to 100%, 277V, 5000-9000 & 13,000 lumens, RJ45 Connection (3500 to 4500 lumens for remote driver) <sup>(14)</sup> <b>3DMXC5</b> =DMX/RDM Logarithmic Dimming, 0% to 100%, 347V step down transformer, 800-9000 & 13,000 lumens, RJ45 Connection (800 to 4500 lumens for remote driver) <sup>(14)</sup>	800-4500		
<b>1DL2</b> = Lutron® Hi-Lume Forward Phase Dimming, 1% to 100%, 120V, 800-7500 lumens (800 to 3500 lumens for remote driver) <b>3DL2</b> = Lutron® Hi-Lume Forward Phase Dimming, 1% to 100%, 347V step down transformer, 800-7500 lumens (800 to 3500 lumens for remote driver)	800-3500		
<b>DLE</b> =Lutron Ecosystem dimming 1% to 100%, 120V-277V, 800-3500 lumens (up to 3000 lumens for remote driver) <b>1DLE</b> =Lutron Ecosystem dimming 1% to 100%, 120V, 4000-7500 lumens (3500 lumens for remote driver) <b>2DLE</b> =Lutron Ecosystem dimming 1% to 100%, 277V, 4000-7500 lumens (3500 lumens for remote driver) <b>3DLE</b> =Lutron Ecosystem dimming 1% to 100%, 347V step down transformer, 800-7500 lumens (800-3500 lumens for remote driver)	800-3500		
<b>DLV</b> = Low voltage dimming driver (1-100%) for use with DLVP system 800-3000 lumens <sup>(9)</sup>	800-3000 (Remote driver only)		

Trim Distribution <sup>(9)</sup>	Trim Flange	Trim Finish	Options <sup>(9)</sup> <sup>(16)</sup> <sup>(24)</sup>
<b>SQ</b> =Medium beam, 50° cutoff <b>SQW</b> =Medium beam, 45° cut off <b>CSSQ</b> =Cast Shallow Square, Die Cast Aluminum <sup>(7)</sup>  <b>Wall Wash</b> <b>SQLWW</b> = lensed wall wash	<b>0</b> =White Polymer Trim Ring <sup>(28)</sup> <b>1</b> =Self-flanged <sup>(11)</sup> <b>2</b> =White Painted Self-flanged <b>4</b> =Knife edge rimless use with die cast only <sup>(8)</sup> <sup>(18)</sup>	<b>LI</b> =Specular Clear <sup>(9)</sup> <b>H</b> =Semi-Specular Clear <sup>(9)</sup> <b>WHM</b> =Warm Haze <sup>(9)</sup> <b>WH</b> =Wheat <sup>(9)</sup> <b>GPH</b> =Graphite Haze <sup>(9)</sup> <b>B</b> =Specular Black <sup>(9)</sup> <b>MW</b> =Matte White (Antimicrobial) <b>MB</b> =Matte Black <sup>(8)</sup> <b>MMS</b> =Matte Metallic Silver <sup>(8)</sup>	<b>EMBOD</b> =Bodine® Emergency Module with Remote Test Switch <sup>(20)</sup> <b>EMBOD6ST</b> =Bodine® 6W Self Test Emergency Module with Remote Test Switch <b>EM7</b> =7W Emergency Module with Remote Test Switch <b>EM14</b> =14W Emergency Module with Remote Test Switch <b>EMBOD7ST</b> =Bodine® Self Test Emergency Module <sup>(20)</sup> <b>IEMBOD</b> =Bodine® Emergency Module with Integral Test Switch <sup>(8)</sup> <sup>(20)</sup> <b>IEMBOD6ST</b> =Bodine® 6W Self Test Emergency Module with Integral Test Switch <sup>(8)</sup> <b>IEM7</b> =7W Emergency Module with Integral Test Switch <sup>(8)</sup> <b>IEM14</b> =14W Emergency Module with Integral Test Switch <sup>(8)</sup> <b>EMV7</b> =7W Low Voltage Emergency Module with Remote Test Switch <sup>(4)</sup> <b>EMV14</b> =14W Low Voltage Emergency Module with Remote Test Switch <sup>(4)</sup> <b>ETRD</b> =Emergency transfer device <sup>(25)</sup> <b>WPST</b> = Factory installed WaveLinX (includes control module, sensor, cable, tilemount and ceiling mount sensor) <sup>(13)</sup> <sup>(15)</sup> <b>WLST</b> = Factory installed WaveLinX LITE Sensor Kit <sup>(13)</sup> <sup>(14)</sup> <b>WPN</b> = WaveLinX PRO Wireless Node without sensor <sup>(27)</sup>

Continued on next page.

## Single Line Order Information

### Accessories (Sold separately) <sup>(23)</sup>

**LGSKT6SQIP66**=IP66 Gasket Kit

**PRSQ6** = Rimless Plaster Ring <sup>(2)</sup>

**RKPSQ6** = Knife Edge plaster Ring <sup>(19)</sup>

**RPMSQ6MW** = Rimless Millwork Ring, Matte White <sup>(2)</sup>

**RPMSQ6MB** = Rimless Millwork Ring, Matte Black <sup>(2)</sup>

**RKMSQ6MW** = Knife Edge Millwork Ring, Matte White <sup>(19)</sup>

**RKMSQ6MB** = Knife Edge Millwork Ring, Matte Black <sup>(19)</sup>

#### Bar Hangers

**HB50**=C-channel Bar Hanger, 50" Long, Pair

**RMB22**=Wood Joist Bar Hanger, 22" Long, Pair

#### Connected Lighting Systems <sup>(3) (13)</sup>

**WPST** = Field installed WaveLinX sensor Kit <sup>(14)</sup>

**WLST** = Field installed WaveLinX LITE Sensor Kit <sup>(15)</sup>

#### Transformers

**H347**=H347 for 90/97CRI 5500 lumens and below; 98CRI 4000 lumens and below;

D2W 4500 lumens and below; W2N 4000 lumens and below

**H347200**=347 to 120V Step Down Transformer, 200VA

#### Notes:

- Nominal Lumens will vary depending on selected color, CRI, driver and reflector finish. Reference [Multiplier tables](#).
- Order trim with polymer trim ring (Consult specification sheet for color ordering information and options).
- Not available with Chicago Plenum.
- ULus listed only
- Beam angles are nominal with LI finish trims.
- Available with SQ and SQW open anodized Aluminum trims. Required for use with all IEMBOD, IEMBOD6ST, IEM7, IEM14, IEMV7 and IEMV14 housings. Not offered with remote driver.
- Only available with Matte White, Matte Black and Matte Metallic Silver finishes.
- Available only on CS distributions.
- Not available on CS distributions.

10. Product is marked spacing. [Reference table on page 4.](#)

11. Flange is the same finish as the reflector

12. DMX fixtures default to full on upon loss of DMX signal.

13. Refer to system specifications for additional information, features, and benefits. Order either factory installed option or accessory. Use with 0-10V driver.

14. WLST = WaveLinX LITE tilemount sensor kit for daylight dimming, PIR motion sensing, use with D010 only (Refer to WaveLinX LITE system specifications)

15. WPST = WaveLinX wireless sensor kit for daylight dimming, PIR motion sensing, and optional RLTS - Real Time Location Services, use with 0-10V only.

17. Limited to 1000 lumens with remote driver

18. Requires knife edge accessory ring.

19. Order die cast trim with flange type 4

20. Not available for W2N or 6500-7000 lumens with 90 and 97 CRI

22. Not available with 5500, 6500, 7500.

21. Available with remote driver only.

22. Limited to 2000 lumens

23. Accessories sold separately will be separately analyzed under domestic preference requirements. Consult factory for further information.

24. 120V-277V

25. Used to bypass local control during outage. Must be used in conjunction with UL 1008 device (provided by others)

26. Not available with Lutron drivers

27. WPN = WaveLinX PRO wireless node provides luminaire-level control with scene and zone configuration without an integrated sensor; Connects wirelessly with daylight dimming sensor and PIR motion sensor if desired. Use with 0-10V driver only.

28. Not available with CSSQ Cast Shallow Square, Die Cast Aluminum reflector

## Product Specifications

### Lower Shielding Reflector

- Painted die cast aluminum or anodized aluminum lower reflector with medium beam or medium beam 45° cutoff with a lensed upper optical chamber providing superior lumen output with minimal source brightness.
- Anodized reflectors are offered in all Portfolio finishes.
- Reflector is retained with two torsion springs holding the flange tight to the finished ceiling surface.
- Plaster lathing ring, knife edge and millwork ring accessory for flush reflector transition

### Wall Wash Reflector

- Lensed Wall Wash** - Angle cut aluminum lower reflector in combination with spread lens provides even vertical illumination with minimal downlight.

### Trim Retention

- Two torsion springs hold reflector flange tightly to the finished ceiling surface

### Plaster Frame/Collar

- Galvanized steel plaster frame with adjustable collar adjusts for up to 2" thick ceilings and rotates +/- 7.5°.

### Universal Mounting Bracket

- Accepts 1/2" Electric Metallic Tube (EMT), C-channel and bar hangers
- Adjusts 5" vertically from above and below the ceiling

### Junction box

- Four 1/2" and two 3/4" trade size pry outs positioned to allow straight conduit runs
- Lever connectors for simple push in wiring
- Listed for (4) #12 AWG (two in, two out) 90°C conductors and feed thru branch wiring for type IC and Plug in drivers for 120/277V only. For all other cases (8) #12 AWG (four in, four out) 90°C conductors and feed thru branch wiring for 120/277V only

### Thermal

- Aluminum heat sink conducts heat away from the LED module for improved performance and longer life

### LED System

- Contains a plurality of high brightness white LED's combined with a high reflectance upper reflector and convex transitional lens producing even distribution without pixilation
- Auto resetting, thermally protected, LED's are turned off when safe operating temperatures are exceeded
- Quick disconnect allows for tool-less replacement of LED engine from below ceiling
- 90 and 97 CRI

- 90 & 97CRI: L78 55,000 hours for 1000-2000 lumens, L90 55,000 for all other lumen output
- Color variation within 2-step MacAdam ellipses
- Available in 2400K, 2700K, 3000K, 3500K, 4000K and 5000K correlated color temperature (CCT)

### Vividtune and High CRI

- 98 CRI and W2N: L70 55,000 hours
- D2W™ – dim-to-warm shifts CCT from 3000K to 1850K as fixture dims mimicking halogen sources.
- W2N - Tunable white CCT range 2700K to 6500K or 2000K to 5000K, 90 CRI. Standard
- 98 CRI** With a full-spectrum approach using broad-blue chip technology and special phosphor blends, Thrive is able to closely match the spectrum of the sun across all color temperatures. Benefits of the natural spectrum of the sun using Thrive include superior accurate color rendering, reduced eye strain, and a higher sense of emotional well-being.
- See dedicated specification sheet for more details.

### Driver

- Standard 120-277V 0-10V dimming driver provides flicker free dimming from 100% to 1%
- Optional 120V leading edge/0-10V, <1% 0-10V, Fifth Light, DMX or Lutron® Ecosystem
- Driver can be serviced from above or through the aperture
- Distributed low voltage power system combines power, lighting, and controls with ease of installation.
- Optional magnetically guided snap in driver for ease of maintenance.

### Emergency Option

- Provides 90 minutes of standby lighting, meeting most life safety codes for egress lighting
- Available with integral or remote charge indicator and test switch
- Available Self-Test (self-diagnostic) with remote charge indicator and test switch
- Emergency Transfer Relay Device bypasses local control during a power outage
- UL 924 listed

### Connected Lighting System

Two WaveLinX connected solutions to choose from. Refer to WaveLinX system specifications and application guides for details.

#### WaveLinX PRO Tilemount Sensor Kit

- WaveLinX WPST tilemount sensor kit offers daylight dimming, PIR motion sensing, scene and zone configuration, automatic commissioning; and optional RLTS - Real Time Location Services available.

#### WaveLinX PRO Wireless Node

- WaveLinX PRO wireless node provides luminaire-level control with scene and zone configuration

without an integrated sensor; Connects wirelessly with daylight dimming sensor and PIR motion sensor if desired. Use with 0-10V driver only.

#### WaveLinX LITE Tilemount Sensor Kit

- WaveLinX LITE WLST tilemount sensor kit offers daylight dimming and PIR motion sensing, scene and grouping configuration.

#### WaveLinX Tilemount Kits Application

- The WPST and WLST tilemount kits include a control module mounted on the luminaire junction box via 1/2" knock-out, and a tilemount sensor on 54-inch whip; for ceiling installation by direct-mount spring clips or via mounting bracket in octagon ceiling boxes.
- The WPST and WLST tilemount kits may be ordered as factory installed on the luminaire, or ordered separately as a field installed accessory kit.

#### Code Compliance

- Thermally protected
- cULus Certified to UL 1598 / C22.2 No. 250.0 suitable for wet locations with downlight; damp location with wall wash and hyperbolic with covered ceiling
- IP66 rated when used with IP66 gasket kit accessory
- Optional City of Chicago environmental air (CCEA) marking for plenum applications
- FCC CFR Title 47 Part 15 Class B at 120VAC and Class A at 277VAC
- Insulated ceiling (IC) rated up to 1,500 lumens (90 and 97CRI). All others are non-IC rated (insulation must be kept 3" from top and sides of housing).
- Can be used for State of California Title 24 high efficacy LED compliance under JA8, reference Modernized Appliance Efficiency Database System (MAEDBS) for 2016 JA8 High Efficacy Lighting
- RoHS compliant
- Photometric testing completed in accordance with IES LM-79
- LED life testing completed in accordance with IES LM-80-08 and TM-21-11 standards
- See table on page 3 for marked spacing requirements.

#### Warranty

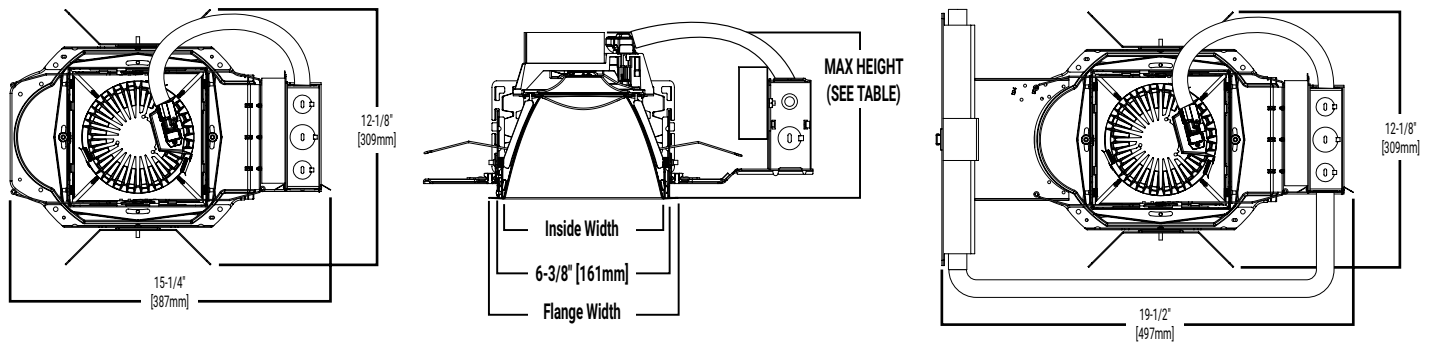
- Five year warranty [www.cooperlighting.com/legal](http://www.cooperlighting.com/legal)

## Marked Spacing

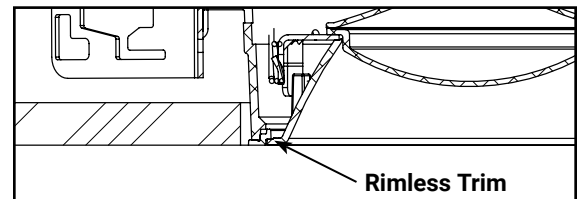
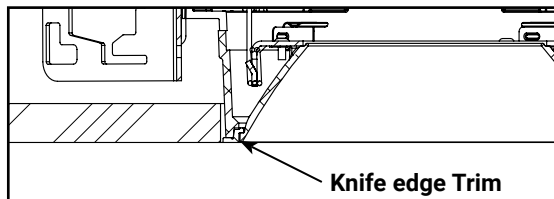
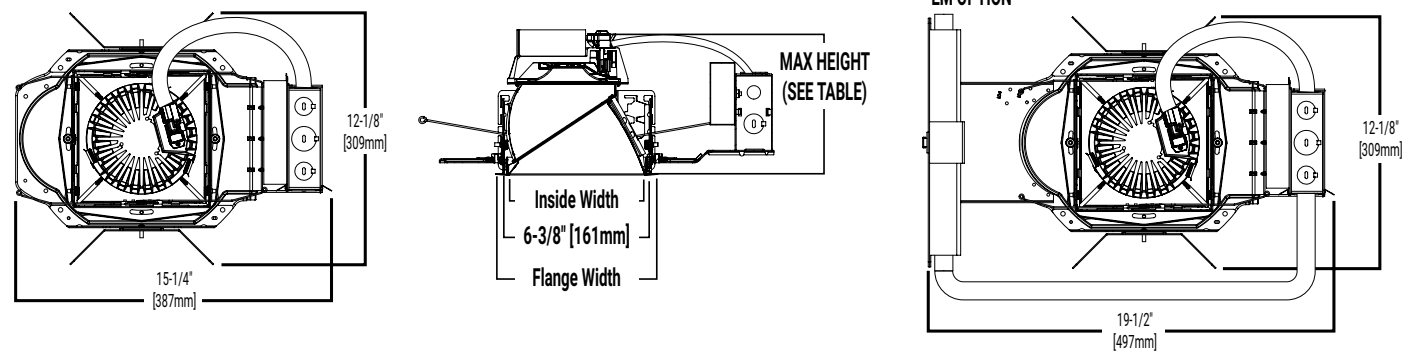
6-inch Marked spacing for 90 and 97 CRI			
4500-6000	36	36	6
6500-15,000	36	36	8

## Dimensional and Mounting Details

### DOWNLIGHT



### WALL WASH



CATALOG #	Flange WIDTH [IN]	INSIDE WIDTH [IN]	MAX HEIGHT				
			250-2500 LUMENS (90/97CRI)	3000-4000 LUMENS (90/97CRI)	1000-1500IC LUMENS (90/97CRI) 4500-6000 LUMENS (90/97CRI)	6500-7000 LUMENS (90/97CRI) 4000-8000 LUMENS (90/97CRI)	9000-15000 LUMENS (90/97CRI)
6LBSQ	7.18	5.97	6.1	6.3	6.5	7.5	9.5
6LBCSSQ	7.17	5.98	5.6	5.6	5.6	5.6	6.6
6LBSQW	7.18	5.5	6.8	6.9	7.1	8.1	10.1
6LBSQLWW	7.18	6.02	6.2	6.4	6.6	7.6	9.6

## Energy and Performance Data

### D010 DRIVER ENERGY DATA

Series	250 lumen		500 lumen		800 lumen		1000 lumen		1500 lumen		2000 lumen	
	120V	277V	120V	277V	120V	277V	120V	277V	120V	277V	120V	277V
Input Voltage 120-277VAC	120V	277V	120V	277V	120V	277V	120V	277V	120V	277V	120V	277V
Input Current (A)	0.029	0.017	0.061	0.032	0.085	0.041	0.084	0.042	0.135	0.063	0.189	0.084
Input Power (W)	3.45	3.87	7.33	7.78	10.15	10.52	10.04	10.43	16.17	16.56	22.58	22.63
In-rush (A)	2.1	8.5	3.7	8.5	3.6	8.3	3.6	8.4	2.3	9.5	2.1	9.7
Inrush duration (µs)	250	131	190	136	220	135	226	136	230	125	243	132
THDi (%)	7.21	16.92	7.82	10.78	5.57	9.63	7.78	9.24	4.75	9.93	8.03	7.44
PF	≥ 0.98	≥ 0.9	≥ 0.99	≥ 0.93	≥ 0.99	≥ 0.95	≥ 0.99	≥ 0.95	≥ 0.99	≥ 0.94	≥ 0.99	≥ 0.96

Series	2500 lumen		3000 lumen		3500 lumen		4000 lumen		4500 lumen		5000 lumen	
	120V	277V	120V	277V	120V	277V	120V	277V	120V	277V	120V	277V
Input Voltage 120-277VAC	120V	277V	120V	277V	120V	277V	120V	277V	120V	277V	120V	277V
Input Current (A)	0.276	0.121	0.276	0.121	0.333	0.152	0.404	0.181	0.421	0.192	0.491	0.216
Input Power (W)	32.98	32.57	32	32.57	39.83	39.84	48.38	47.94	50.22	50.17	58.69	58.01
In-rush (A)	2.5	11.8	3.6	11.8	3.1	14.3	3.1	14.5	5.6	22.6	5.6	22.6
Inrush duration (µs)	215	111	220	111	200	94	197	95	215	120	213	135
THDi (%)	9.86	6.57	5.57	6.57	4.25	10.05	5.02	7.97	6.12	8.35	8.51	7.92
PF	≥ 0.99	≥ 0.97	≥ 0.99	≥ 0.99	≥ 0.99	≥ 0.94	≥ 0.99	≥ 0.95	≥ 0.99	≥ 0.95	≥ 0.99	≥ 0.96

Series	5500 lumen		6000 lumen		6500 lumen		7000 lumen		7500 lumen		8000 lumen	
	120V	277V	120V	277V	120V	277V	120V	277V	120V	277V	120V	277V
Input Voltage 120-277VAC	120V	277V	120V	277V	120V	277V	120V	277V	120V	277V	120V	277V
Input Current (A)	0.526	0.231	0.542	0.256	0.572	0.266	0.632	0.292	0.668	0.306	0.734	0.332
Input Power (W)	62.97	61.97	64.88	65.7	68.35	69.02	75.56	75.85	79.89	80.09	88.01	87.81
In-rush (A)	5.1	23.1	6.2	27.5	6.3	28.4	6.4	29.1	6.4	28.7	6.3	29.7
Inrush duration (µs)	217	138	188	101	189	92	187	90	185	100	187	123
THDi (%)	9.42	7.16	4.33	11.86	4.38	11.33	4.84	10.32	4.46	9.85	3.92	8.92
PF	≥ 0.99	≥ 0.96	≥ 0.99	≥ 0.93	≥ 0.99	≥ 0.93	≥ 0.99	≥ 0.94	≥ 0.99	≥ 0.94	≥ 0.99	≥ 0.95

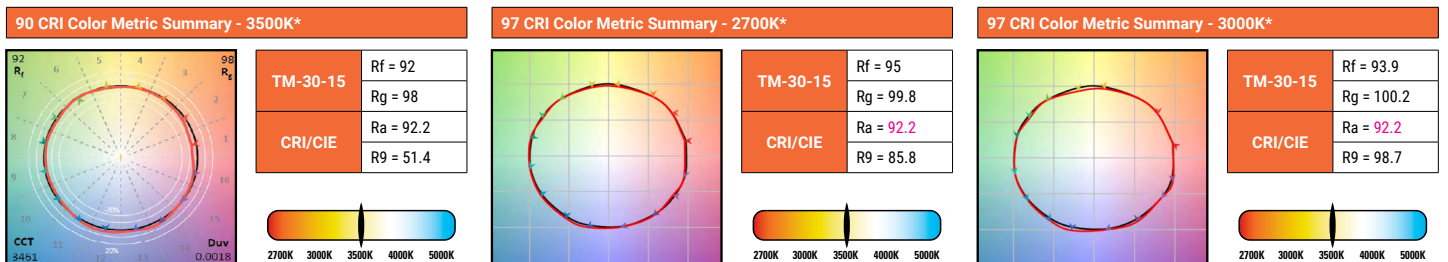
Series	9000 lumen		10000 lumen		11000 lumen		12000 lumen		13000 lumen		15000 lumen	
	120V	277V	120V	277V	120V	277V	120V	277V	120V	277V	120V	277V
Input Voltage 120-277VAC	120V	277V	120V	277V	120V	277V	120V	277V	120V	277V	120V	277V
Input Current (A)	0.842	0.374	0.961	0.416	1.09	0.49	1.192	0.512	1.263	0.561	1.446	0.624
Input Power (W)	101.12	99.88	114.86	113.66	130.27	127.6	142.59	140.17	151.68	149.82	172.29	170.51
In-rush (A)	12.9	28.6	11.4	40.3	11.5	40.2	11.5	41.2	19.2	43.1	17.2	40.4
Inrush duration (µs)	170	97	248	124	233	118	246	114	170	97	240	125
THDi (%)	5.74	9.28	7.42	8.55	6.08	13.13	5.7	7.3	5.74	7.58	5.86	8.56
PF	≥ 0.99	≥ 0.95	≥ 0.99	≥ 0.98	≥ 0.99	≥ 0.9	≥ 0.99	≥ 0.99	≥ 0.99	≥ 0.96	≥ 0.99	≥ 0.98

Minimum starting temperature -30°C (-22°F)\*  
(Nominal input 120-277VAC & 100% of rated output power)

Sound Rating: Class A standards

**Notes:**  
Emergency Battery packs are rated for a minimum starting temperature of 0°C.

### COLOR METRICS - TM-30-15 & CRI/CIE

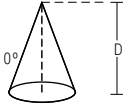
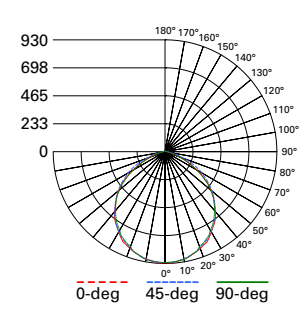


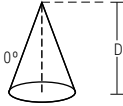
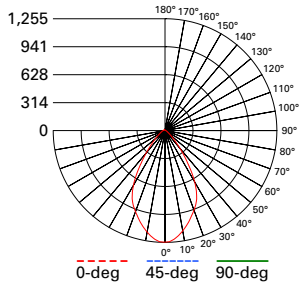
\* Color values are based on haze reflector, other finishes and field results may vary.

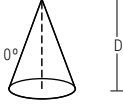
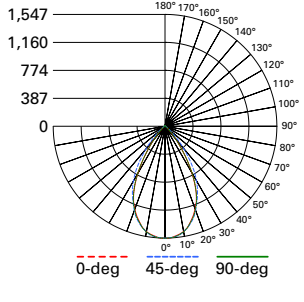


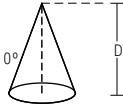
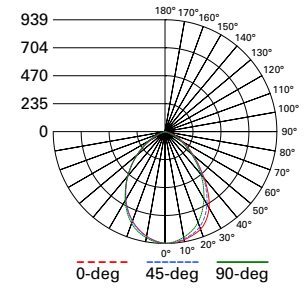
## Photometric Data

[View IES files](#)

MEDIUM/WIDE 65° BEAM (H)		CANDLEPOWER DISTRIBUTION				CONE OF LIGHT				CANDELA TABLE		ZONAL LUMEN SUMMARY			LUMINANCE	
Test Number	P571671	Downlight								Degrees Vertical	Candela	Zone	Lumens	% Fixture	Average Candela Degrees	Average 0° Luminance
Housing	LDSQ6C20D010									0	926	0-30	713	31.9	37	37396
Module	EU6C10259035									5	926	0-40	1158	51.8	45	34933
Trim	6LBPSSQMW									15	885	0-60	1969	88.1	55	30251
Lumens	2236									25	829	0-90	2236	100	65	19347
Efficacy	102.6 Lm/W									35	720	90-180	0	0	75	4541
SC	1.22									45	574	0-180	2236	100	85	0
UGR	25.2									55	403					
										65	190					
										75	27					
										85	0					
										90	0					

MEDIUM/WIDE 50° CUTOFF 60° BEAM (H)		CANDLEPOWER DISTRIBUTION				CONE OF LIGHT				CANDELA TABLE		ZONAL LUMEN SUMMARY			LUMINANCE	
Test Number	P571672	Downlight								Degrees Vertical	Candela	Zone	Lumens	% Fixture	Average Candela Degrees	Average 0° Luminance
Housing	LDSQ6C20D010									0	1255	0-30	796	62.8	37	20188
Module	EU6C10259035									5	1228	0-40	1082	85.3	45	9042
Trim	6LBSQH									15	1059	0-60	1245	98.2	55	3393
Lumens	1268									25	853	0-90	1268	100	65	1661
Efficacy	58.2 Lm/W									35	453	90-180	0	0	75	898
SC	0.94									45	148	0-180	1268	100	85	0
UGR	11.1									55	45					
										65	16					
										75	5					
										85	0					
										90	0					

MEDIUM/WIDE 50° CUTOFF 65° BEAM (LI)		CANDLEPOWER DISTRIBUTION				CONE OF LIGHT				CANDELA TABLE		ZONAL LUMEN SUMMARY			LUMINANCE	
Test Number	P571673	Downlight								Degrees Vertical	Candela	Zone	Lumens	% Fixture	Average Candela Degrees	Average 0° Luminance
Housing	LDSQ6C20D010									0	1544	0-30	1001	69	37	17971
Module	EU6C10259035									5	1524	0-40	1327	91.4	45	4920
Trim	6LBSQLI									15	1362	0-60	1445	99.6	55	1021
Lumens	1451									25	1017	0-90	1451	100	65	397
Efficacy	66.6 Lm/W									35	429	90-180	0	0	75	166
SC	0.92									45	81	0-180	1451	100	85	0
UGR	2.1									55	14					
										65	4					
										75	1					
										85	0					
										90	0					

LENSED WALL WASH (H)		CANDLEPOWER DISTRIBUTION				CONE OF LIGHT				CANDELA TABLE		ZONAL LUMEN SUMMARY			LUMINANCE	
Test Number	P571674	Downlight								Degrees Vertical	Candela	Zone	Lumens	% Fixture	Average Candela Degrees	Average 0° Luminance
Housing	LDSQ6C20D010									0	937	0-30	682	40	37	32089
Module	EU6C10259035									5	936	0-40	1049	61.6	45	25385
Trim	6LBSQLWWH									15	902	0-60	1561	91.6	55	19097
Lumens	1704									25	824	0-90	1704	100	65	14691
Efficacy	78.2 Lm/W									35	642	90-180	0	0	75	10114
SC	1.08									45	417	0-180	1704	100	85	2816
UGR	24.2									55	254					
										65	144					
										75	61					
										85	6					
										90	0					

## Photometric Data

View IES files

LENSED WALL WASH (LI)		CANDLEPOWER DISTRIBUTION				CONE OF LIGHT				CANDELA TABLE		ZONAL LUMEN SUMMARY			LUMINANCE																									
Test Number	P571675	<b>Downlight</b>								<b>Degrees Vertical</b>	<b>Candela</b>	<b>Zone</b>	<b>Lumens</b>	<b>% Fixture</b>	<b>Average Candela Degrees</b>	<b>Average 0° Luminance</b>																								
Housing	LDSQ6C20D010					<table border="1"> <thead> <tr> <th>D</th> <th>FC</th> <th>L</th> <th>W</th> </tr> </thead> <tbody> <tr><td>4'</td><td>59.6</td><td>4.6</td><td>4.2</td></tr> <tr><td>7'</td><td>19.5</td><td>8</td><td>7.6</td></tr> <tr><td>9'</td><td>11.8</td><td>10.3</td><td>9.8</td></tr> <tr><td>13'</td><td>5.6</td><td>14.9</td><td>14.2</td></tr> <tr><td>16'</td><td>3.7</td><td>18.5</td><td>17.4</td></tr> </tbody> </table>				D	FC	L	W	4'	59.6	4.6	4.2	7'	19.5	8	7.6	9'	11.8	10.3	9.8	13'	5.6	14.9	14.2	16'	3.7	18.5	17.4	0	953	0-30	712	40.6	37	31751
D	FC	L	W																																					
4'	59.6	4.6	4.2																																					
7'	19.5	8	7.6																																					
9'	11.8	10.3	9.8																																					
13'	5.6	14.9	14.2																																					
16'	3.7	18.5	17.4																																					
Module	EU6C10259035									5	936	0-40	1094	62.4	45	25001																								
Trim	6LBSQLWWLI									15	896	0-60	1620	92.4	55	18819																								
Lumens	1753									25	822	0-90	1753	100	65	14528																								
Efficacy	80.4 Lm/W									35	638	90-180	0	0	75	10164																								
SC	1.1									45	411	0-180	1753	100	85	2816																								
UGR	24									55	251																													
										65	143																													
										75	61																													
										85	6																													
										90	0																													

MEDIUM/WIDE 45° CUTOFF 60° BEAM (H)		CANDLEPOWER DISTRIBUTION				CONE OF LIGHT				CANDELA TABLE		ZONAL LUMEN SUMMARY			LUMINANCE																									
Test Number	P571676	<b>Downlight</b>								<b>Degrees Vertical</b>	<b>Candela</b>	<b>Zone</b>	<b>Lumens</b>	<b>% Fixture</b>	<b>Average Candela Degrees</b>	<b>Average 0° Luminance</b>																								
Housing	LDSQ6C20D010					<table border="1"> <thead> <tr> <th>D</th> <th>FC</th> <th>L</th> <th>W</th> </tr> </thead> <tbody> <tr><td>4'</td><td>72.4</td><td>3.8</td><td>3.8</td></tr> <tr><td>7'</td><td>23.6</td><td>6.6</td><td>6.6</td></tr> <tr><td>9'</td><td>14.3</td><td>8.6</td><td>8.6</td></tr> <tr><td>13'</td><td>6.8</td><td>12.4</td><td>12.4</td></tr> <tr><td>16'</td><td>4.5</td><td>15.2</td><td>15.2</td></tr> </tbody> </table>				D	FC	L	W	4'	72.4	3.8	3.8	7'	23.6	6.6	6.6	9'	14.3	8.6	8.6	13'	6.8	12.4	12.4	16'	4.5	15.2	15.2	0	1158	0-30	787	62.1	37	17099
D	FC	L	W																																					
4'	72.4	3.8	3.8																																					
7'	23.6	6.6	6.6																																					
9'	14.3	8.6	8.6																																					
13'	6.8	12.4	12.4																																					
16'	4.5	15.2	15.2																																					
Module	EU6C10259035									5	1143	0-40	1046	82.5	45	12409																								
Trim	6LCSQH									15	1064	0-60	1240	97.8	55	5495																								
Lumens	1268									25	821	0-90	1268	100	65	2476																								
Efficacy	58.2 Lm/W									35	363	90-180	0	0	75	1065																								
SC	0.95									45	204	0-180	1268	100	85	593																								
UGR	13.1									55	73																													
										65	24																													
										75	6																													
										85	1																													
										90	0																													

MEDIUM/WIDE 45° CUTOFF 65° BEAM (LI)		CANDLEPOWER DISTRIBUTION				CONE OF LIGHT				CANDELA TABLE		ZONAL LUMEN SUMMARY			LUMINANCE																									
Test Number	P571677	<b>Downlight</b>								<b>Degrees Vertical</b>	<b>Candela</b>	<b>Zone</b>	<b>Lumens</b>	<b>% Fixture</b>	<b>Average Candela Degrees</b>	<b>Average 0° Luminance</b>																								
Housing	LDSQ6C20D010					<table border="1"> <thead> <tr> <th>D</th> <th>FC</th> <th>L</th> <th>W</th> </tr> </thead> <tbody> <tr><td>4'</td><td>94.8</td><td>3.8</td><td>3.6</td></tr> <tr><td>7'</td><td>31</td><td>6.6</td><td>6.4</td></tr> <tr><td>9'</td><td>18.7</td><td>8.4</td><td>8.4</td></tr> <tr><td>13'</td><td>9</td><td>12.2</td><td>12.2</td></tr> <tr><td>16'</td><td>5.9</td><td>15.2</td><td>15</td></tr> </tbody> </table>				D	FC	L	W	4'	94.8	3.8	3.6	7'	31	6.6	6.4	9'	18.7	8.4	8.4	13'	9	12.2	12.2	16'	5.9	15.2	15	0	1505	0-30	1061	73.1	37	16373
D	FC	L	W																																					
4'	94.8	3.8	3.6																																					
7'	31	6.6	6.4																																					
9'	18.7	8.4	8.4																																					
13'	9	12.2	12.2																																					
16'	5.9	15.2	15																																					
Module	EU6C10259035									5	1533	0-40	1346	92.8	45	7173																								
Trim	6LCSQLI									15	1452	0-60	1446	99.6	55	803																								
Lumens	1451									25	1048	0-90	1451	100	65	367																								
Efficacy	66.6 Lm/W									35	376	90-180	0	0	75	133																								
SC	0.94									45	118	0-180	1451	100	85	198																								
UGR	0.5									55	11																													
										65	4																													
										75	1																													
										85	0																													
										90	0																													

### Photometric Multipliers (Nominal Lumen Values)

250 Lumen	500 Lumen	800 Lumen	1000 Lumen	1500 Lumen	2000 Lumen	2500 Lumen	3000 Lumen	3500 Lumen	4000 Lumen	4500 Lumen	5000 Lumen
0.22	0.42	0.57	0.65	1.00	1.29	1.62	1.90	2.25	2.61	3.02	3.42
5500 Lumen	6000 Lumen	6500 Lumen	7000 Lumen	7500 Lumen	8000 Lumen	9000 Lumen	10000 Lumen	11000 Lumen	12000 Lumen	13000 Lumen	
3.82	4.13	4.32	4.54	5.34	4.47	4.76	5.09	5.87	6.33	6.96	

Multipliers for relative lumen values with other series models.

### CCT Multipliers – 90CRI

2400K	2700K	3000K	3500K	4000K	5000K
0.912	0.949	0.986	1	1.001	1.022

Multipliers for relative lumen values with other series color temperatures.

### CCT Multipliers – 97CRI

2700K	3000K	3500K	4000K	5000K
0.889	0.955	1	1.016	1.07

Multipliers for relative lumen values with other series color temperatures.

### Color Finish Multipliers

Finish code	LI	H	WMH	WH	GPH	B	MW
Finish	Specular Clear	Semi-Specular Clear	Warm Haze	Wheat	Graphite Haze	Specular Black	Matte White
Multiplier	1.33	1.0	1.06	1.11	0.83	0.62	1.11

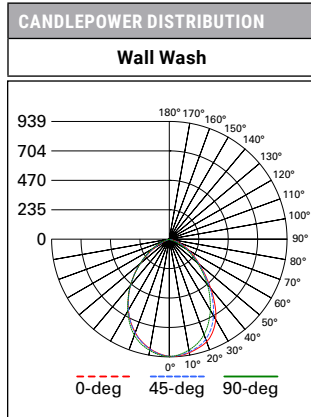
Multipliers for relative lumen values with other color finishes.



## Photometric Data

[View IES files](#)

WALL WASH	
Test Number	P563506
Housing	LD6C20D010
Module	EU6209035
Trim	6LBSQLWWH
Lumens	1704
Efficacy	78.2 Lm/W
SC	1.08
UGR	0



CANDELA TABLE	
Degrees Vertical	Candela
0	937
5	936
15	902
25	824
35	642
45	417
55	254
65	144
75	61
85	6
90	0

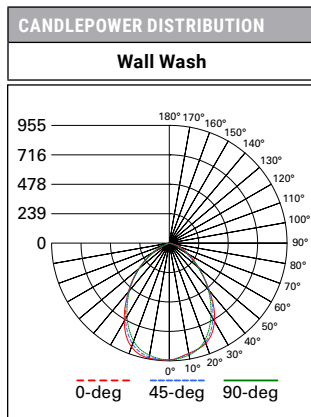
ZONAL LUMEN SUMMARY		
Zone	Lumens	% Fixture
0-30	682	40
0-40	1049	61.6
0-60	1561	91.6
0-90	1704	100
90-180	0	0
0-180	1704	100

LUMINANCE	
Average Candela Degrees	Average 0° Luminance
37	32089
45	25385
55	19097
65	14691
75	10114
85	2816

Single Unit Footcandles 3" from wall (distance from fixture along wall)				
DD	•	1'	2'	3'
1'	8.3	6.4	3.3	1.3
2'	15.2	12.5	7.5	3.8
3'	16.4	14	9.2	5.3
4'	14.4	12.7	9.1	5.7
5'	11	10.1	7.8	5.3
6'	8	7.5	6.2	4.6
7'	5.7	5.5	4.7	3.8
8'	4.2	4	3.6	3
9'	3.1	3	2.8	2.4
10'	2.4	2.3	2.2	1.9

Multiple Unit Footcandles 3" from wall (spacing between fixtures)					
•	-- 3' --	•	•	-- 4' --	•
9.6	9.5	9.6	8.8	6.5	8.8
19.1	20.1	19.1	17.1	15.1	17.1
21.6	23.3	21.6	19.2	18.4	19.2
20	21.9	20	17.7	18.1	17.7
16.4	18.1	16.4	14.4	15.6	14.4
12.6	13.8	12.6	11.2	12.4	11.2
9.5	10.3	9.5	8.5	9.5	8.5
7.2	7.7	7.2	6.6	7.2	6.6
5.5	5.9	5.5	5.1	5.6	5.1
4.3	4.5	4.3	4	4.3	4

WALL WASH	
Test Number	P563507
Housing	LD6C20D010
Module	EU6209035
Trim	6LBSQLWWLI
Lumens	1753
Efficacy	80.4 Lm/W
SC	1.1
UGR	0



CANDELA TABLE	
Degrees Vertical	Candela
0	953
5	936
15	896
25	822
35	638
45	411
55	251
65	143
75	61
85	6
90	0

ZONAL LUMEN SUMMARY		
Zone	Lumens	% Fixture
0-30	712	40.6
0-40	1094	62.4
0-60	1620	92.4
0-90	1753	100
90-180	0	0
0-180	1753	100

LUMINANCE	
Average Candela Degrees	Average 0° Luminance
37	31751
45	25001
55	18819
65	14528
75	10164
85	2816

Single Unit Footcandles 3" from wall (distance from fixture along wall)				
DD	•	1'	2'	3'
1'	8.3	6.4	3.2	1.3
2'	15.1	12.5	7.5	3.8
3'	16.1	13.9	9.2	5.3
4'	14.2	12.6	9.1	5.7
5'	10.9	10	7.8	5.4
6'	7.9	7.5	6.2	4.6
7'	5.7	5.5	4.8	3.8
8'	4.2	4	3.6	3
9'	3.1	3	2.8	2.4
10'	2.3	2.3	2.2	1.9

Multiple Unit Footcandles 3" from wall (spacing between fixtures)					
•	-- 3' --	•	•	-- 4' --	•
9.5	9.5	9.5	8.7	6.4	8.7
18.9	20	18.9	16.9	15.1	16.9
21.4	23.2	21.4	19	18.4	19
19.9	21.9	19.9	17.6	18.1	17.6
16.3	18	16.3	14.4	15.6	14.4
12.6	13.8	12.6	11.2	12.4	11.2
9.5	10.3	9.5	8.5	9.5	8.5
7.2	7.7	7.2	6.6	7.3	6.6
5.5	5.9	5.5	5.1	5.6	5.1
4.3	4.5	4.3	4	4.3	4

## Multi-line Order Information

SAMPLE ORDER NUMBER: **LDSQ6C10D010TRIEM14**

Invoice will indicate separate fixture components (housing, trim, module) and may ship from multiple CLS facilities in separate cartons.



Housing	Lumens <sup>(2)</sup>			
<b>LDSQ6C</b> =LED Square Downlight 6" Nominal Aperture	<b>02</b> =250 lumens	<b>25</b> =2500 lumens	<b>55</b> =5500 lumens <sup>(3)</sup>	<b>90</b> =9000 Lumens <sup>(3)</sup>
<b>LDSQ6CCP</b> =LED Square Downlight 6" Nominal Aperture, Chicago Plenum	<b>05</b> =500 lumens	<b>30</b> =3000 lumens	<b>60</b> =6000 lumens <sup>(3)</sup>	<b>100</b> =10,000 Lumens <sup>(3)</sup>
	<b>08</b> =800 lumens	<b>35</b> =3500 lumens	<b>65</b> =6500 lumens <sup>(3)</sup>	<b>110</b> =11,000 Lumens <sup>(3)</sup>
	<b>10</b> =1000 lumens	<b>40</b> =4000 lumens	<b>70</b> =7000 lumens <sup>(3)</sup>	<b>120</b> =12,000 Lumens <sup>(3)</sup>
	<b>15</b> =1500 lumens	<b>45</b> =4500 lumens <sup>(3)</sup>	<b>75</b> =7500 lumens <sup>(3)</sup>	<b>130</b> =13,000 Lumens <sup>(3)</sup>
	<b>20</b> =2000 lumens	<b>50</b> =5000 lumens <sup>(3)</sup>	<b>80</b> =8000 Lumens <sup>(3)</sup>	<b>150</b> =15,000 Lumens <sup>(3)</sup>

Driver	Driver Options
<b>D010</b> = 0-10V Dimming, 1% to 100%, 120V-277V, up to 7000 lumens (up to 3000 lumens for remote driver) <b>1D010</b> = 0-10V Dimming, 1% to 100%, 120V, 7500 lumens and above (3500 to 7000 lumens for remote driver) <b>2D010</b> = 0-10V Dimming, 1% to 100%, 277V, 7500 lumens and above (3500 to 7000 lumens for remote driver) <b>3D010</b> = 0-10V Dimming, 1% to 100%, 347V dedicated drivers for 800 to 4000 lumens; 250, 500, 4500 and above use step down transformer (250 to 7000 lumens for remote driver) 1 driver: 250-7000 / 2 drivers: 7500-12,000 / 3 drivers: 13,000-15,000	<b>Blank</b> =Integral driver <b>R</b> =Remote driver (offered with single driver, order remote driver separately) <sup>(4)</sup> <b>PD</b> =Plug in Driver (offered with single driver) <sup>(4)</sup>
<b>D010TR</b> =0-10V (120-277V) or Line Voltage (120V) dimming, 5-100%, 250- 4500 lumens (up to 3000 lumens for remote driver) <b>1D010TR</b> =0-10V or Line Voltage Dimming, 5% to 100%, 120V, 5000-9000 & 13,000 lumens (3500 to 4500 lumens for remote driver) <b>2D010TR</b> =0-10V Dimming, 5% to 100%, 277V, 5000-9000 & 13,000 lumens (3500 to 4500 lumens for remote driver) <b>3D010TR</b> =0-10V Dimming, 5% to 100%, 347V step down transformer, 250-9000 & 13,000 lumens (250 to 4500 lumens for remote driver) 1 driver: 250-4500 / 2 drivers: 5000-9000 / 3 drivers: 13,000	
<b>DE010</b> = 0-10V Dimming, 0% to 100%, 120V-277V, 500-7000 lumens (up to 3000 lumens for remote driver) <b>1DE010</b> = 0-10V Dimming, 0% to 100%, 120V, 7500 lumens and above (3500 to 7000 lumens for remote driver) <b>2DE010</b> = 0-10V Dimming, 0% to 100%, 277V, 7500 lumens and above (3500 to 7000 lumens for remote driver) <b>3DE010</b> = 0-10V Dimming, 0% to 100%, 0-10V Dimming, 347V step down transformer, 500-15,000 lumens (500 to 7000 lumens for remote driver) 1 driver: 500-7000 / 2 drivers: 7500-12,000 / 3 drivers: 13,000-15,000	
<b>D5LT</b> = Fifth Light® (DALI T6) Logarithmic Dimming, 0% to 100%, 120V-277V, 500-7000 lumens (up to 3000 lumens for remote driver) <b>1D5LT</b> = Fifth Light® (DALI T6) Logarithmic Dimming, 0% to 100%, 120V, 7500 lumens and above (3500 to 7000 lumens for remote driver) <b>2D5LT</b> =Fifth Light® (DALI T6) Logarithmic Dimming, 0% to 100%, 277V, 7500 lumens and above (3500 to 7000 lumens for remote driver) <b>3D5LT</b> =Fifth Light® (DALI T6) Logarithmic Dimming, 0% to 100%, 347V step down transformer, 500-15,000 lumens (500 to 7000 lumens for remote driver) 1 driver: 500-7000 / 2 drivers: 7500-12,000 / 3 drivers: 13,000-15,000	
<b>DMX</b> =DMX/RDM Logarithmic Dimming, 0% to 100%, 120V-277V, 800-4500 lumens (up to 3000 lumens for remote driver) (up to 3000 lumens for remote driver) <sup>(5)</sup> <b>1DMX</b> =DMX/RDM Logarithmic Dimming, 0% to 100%, 120V, 5000-9000 and 13,000 lumens (3500 to 4500 lumens for remote driver) (3500 to 4500 lumens for remote driver) <sup>(5)</sup> <b>2DMX</b> =DMX/RDM Logarithmic Dimming, 0% to 100%, 277V, 5000-9000 and 13,000 lumens (3500 to 4500 lumens for remote driver) (3500 to 4500 lumens for remote driver) <sup>(5)</sup> <b>3DMX</b> =DMX/RDM Logarithmic Dimming, 0% to 100%, 347V step down transformer, 800-9000 and 13,000 lumens, RJ45 Connection (800 to 4500 lumens for remote driver) <sup>(5)</sup> 1 driver: 800-4500 / 2 drivers: 5000-9000 / 3 drivers: 13,000	
<b>DMXC5</b> =DMX/RDM Logarithmic Dimming, 0% to 100%, 120V-277V, up to 800-4500 lumens, RJ45 Connection (up to 3000 lumens for remote driver) <sup>(5)</sup> <b>1DMXC5</b> =DMX/RDM Logarithmic Dimming, 0% to 100%, 120V, 5000-9000 and 13,000 lumens, RJ45 Connection (3500 to 4500 lumens for remote driver) <sup>(5)</sup> <b>2DMXC5</b> =DMX/RDM Logarithmic Dimming, 0% to 100%, 277V, 5000-9000 and 13,000 lumens, RJ45 Connection (3500 to 4500 lumens for remote driver) <sup>(5)</sup> <b>3DMXC5</b> =DMX/RDM Logarithmic Dimming, 0% to 100%, 347V step down transformer, 250-9000 and 13,000 lumens, RJ45 Connection (800 to 4500 lumens for remote driver) <sup>(5)</sup> 1 driver: 800-4500 / 2 drivers: 5000-9000 / 3 drivers: 13,000	
<b>1DL2</b> =Lutron® Hi-Lume Forward Phase Dimming, 1% to 100%, 120V Only, 800-7500 lumens (800 to 3500 lumens for remote driver) <b>3DL2</b> = Lutron® Hi-Lume Forward Phase Dimming, 1% to 100%, 347V step down transformer, 800-7500 lumens (800 to 3500 lumens for remote driver) 1 driver: 800-3500 / 2 drivers: 4000-7500	
<b>DLE</b> =Lutron Ecosystem dimming 1% to 100%, 120V-277V, 800-3500 lumens (up to 3000 lumens for remote driver) <b>1DLE</b> =Lutron Ecosystem dimming 1% to 100%, 120V, 4000-7500 lumens (3500 lumens for remote driver) <b>2DLE</b> =Lutron Ecosystem dimming 1% to 100%, 277V, 4000-7500 lumens (3500 lumens for remote driver) <b>3DLE</b> =Lutron Ecosystem dimming 1% to 100%, 347V step down transformer, 800-7500 lumens (800-3500 lumens for remote driver) 1 driver: 800-3500 / 2 drivers: 4000-7500	
<b>DLV</b> =Low voltage dimming driver (1-100%) for use with DLVP system 800-3000 lumens <sup>(6)</sup>	

### Options <sup>(9) (27) (28) (30)</sup>

<b>EMBOD</b> =Bodine® Emergency Module with Remote Test Switch <sup>(10)</sup>	<b>IEM7</b> =7W Emergency Module with Integral Test Switch <sup>(23)</sup>
<b>EMBOD6ST</b> =Bodine® 6W Self Test Emergency Module with Remote Test Switch	<b>IEM14</b> =14W Emergency Module with Integral Test Switch <sup>(23)</sup>
<b>EM7</b> =7W Emergency Module with Remote Test Switch	<b>EMV7</b> =7W Low Voltage Emergency Module with Remote Test Switch <sup>(7)</sup>
<b>EM14</b> =14W Emergency Module with Remote Test Switch	<b>EMV14</b> =14W Low Voltage Emergency Module with Remote Test Switch <sup>(7)</sup>
<b>BOD7ST</b> =Bodine® Self Test Emergency Module <sup>(10)</sup>	<b>ETRD</b> =Emergency transfer device <sup>(29)</sup>
<b>IEMBOD</b> =Bodine® Emergency Module with Integral Test Switch <sup>(10) (23)</sup>	<b>WPST</b> =Factory installed Wavelinx (includes control module, sensor, cable, tilemount and ceiling mount sensor) <sup>(11) (13)</sup>
<b>IEMBOD6ST</b> =Bodine® 6W Self Test Emergency Module with Integral Test Switch <sup>(23)</sup>	<b>WLST</b> =Factory installed WaveLinx LITE Sensor Kit <sup>(11) (12)</sup>
	<b>WPN</b> = WaveLinx PRO Wireless Node without sensor <sup>(21)</sup>

Continued on next page.

## Multi-line Order Information

SAMPLE ORDER NUMBER: **EU6C10259035**

Power Module	Lumen Levels <sup>(2)</sup>	CRI <sup>(2)</sup>	Color	
<b>EU6C</b> =6-inch Universal LED Module	<p><b>For use with one driver</b></p> <p><b>02081C</b>=250, 500, 800 lumens, IC Rated (for use with all drivers, min 500 lumen with DE010 and D5LT, min 800 lumens with DLVP, Lutron and DMX)</p> <p><b>1025</b>= 1000, 1500, 2000, 2500 lumens</p> <p><b>10151C</b>=1000, 1500 lumens IC Rated</p> <p><b>3040</b>=3000, 3500, 4000 lumens (For use with Lutron 3000-3500, DLVP 3000 lumens, DMX, D010, D010TR, D5LT and DE010 3000-4000)</p> <p><b>4560</b>=4500, 5000, 5500, 6000 lumens (For use with DMX and D010TR 4500 lumens, D010, D5LT and DE010 4500-6000) <sup>(3)</sup></p> <p><b>6570</b>=6500, 7000 lumens (For use with D010, D5LT and DE010) <sup>(3)</sup></p> <p><b>For use with two drivers</b></p> <p><b>4080</b>=4000, 4500, 5000, 5500, 6000, 6500, 7000, 75000, 8000 lumens (For use with Lutron 4000-7500, D010TR &amp; DMX 5000-8000, D010, D5LT &amp; DE010 7500-8000 lumen) <sup>(3)</sup></p> <p><b>90120</b>=9000, 10000, 11000, 12000 lumens (D010, D5LT, DE010 to 9000-12,000 lumens, DMX and D010TR 9000 lumens) <sup>(3)</sup></p> <p><b>For use with three drivers</b></p> <p><b>130150</b>=13,000, 15000 lumens (D010, DE010, D5LT, 13,000-15,000 lumens, D010TR and DMX 13,000 lumens) <sup>(3)</sup></p>	<p><b>90</b>=90 CRI Minimum</p> <p><b>97</b>=97 CRI Minimum</p>	<p><b>90 CRI</b></p> <p><b>24</b>=2400K</p> <p><b>27</b>=2700K</p> <p><b>30</b>=3000K</p> <p><b>35</b>=3500K</p> <p><b>40</b>=4000K</p> <p><b>50</b>=5000K</p>	<p><b>97 CRI</b></p> <p><b>27</b>=2700K</p> <p><b>30</b>=3000K</p>

SAMPLE ORDER NUMBER: **6LBM2H**

Trim	Reflector	Flange	Finish		Options
<b>6LB</b> =6" Reflector	<p><b>SQ</b>=Square Anodized Aluminum</p> <p><b>SQW</b>=Square Wide Anodized Aluminum</p> <p><b>CSSQ</b>=Cast Shallow Square, Die Cast Aluminum</p> <p><b>Wall Wash</b></p> <p><b>SQLWW</b>=Square Anodized Aluminum Lensed Wall Wash</p>	<p><b>0</b>=White polymer trim ring <sup>(2)</sup></p> <p><b>1</b>=Self flanged <sup>(18)</sup></p> <p><b>2</b>=White painted self flanged</p> <p><b>4</b>=Knife edge rimless use with die cast only <sup>(19)</sup></p>	<p><b>LI</b>=Specular Clear <sup>(20)</sup></p> <p><b>H</b>=Semi-Specular Clear <sup>(20)</sup></p> <p><b>WMH</b>=Warm Haze <sup>(20)</sup></p> <p><b>WH</b>=Wheat <sup>(20)</sup></p> <p><b>GPH</b>=Graphite Haze <sup>(20)</sup></p>	<p><b>B</b>=Specular Black <sup>(20)</sup></p> <p><b>MW</b>=Matte White</p> <p><b>MB</b>=Matte Black <sup>(21)</sup></p> <p><b>MMS</b>=Matte Metallic Silver <sup>(21)</sup></p>	<p><b>E</b>=Integral Emergency Test Switch Hole <sup>(22)</sup></p>

### REQUIRED if Remote Driver (R) is specified

SAMPLE ORDER NUMBER: **RC10010D010TREM7**

Remote Drivers	Lumens <sup>(2) (14)</sup>		
<b>RC100</b> =Remote 100ft	<b>02</b> =250 lumens	<b>20</b> =2000 lumens	<b>50</b> =5000 lumens
<b>RC75</b> =Remote 75ft	<b>05</b> =500 lumens	<b>25</b> =2500 lumens	<b>55</b> =5500 lumens
<b>RC50</b> =Remote 50ft	<b>08</b> =800 lumens	<b>30</b> =3000 lumens	<b>60</b> =6000 lumens
<b>RC25</b> =Remote 25ft	<b>10</b> =1000 lumens	<b>35</b> =3500 lumens	<b>65</b> =6500 lumens
<b>RC15</b> =Remote 15ft	<b>15</b> =1500 lumens	<b>40</b> =4000 lumens	<b>70</b> =7000 lumens
<b>RC5</b> =Remote 5ft		<b>45</b> =4500 lumens	
<b>RC2</b> =Remote 2ft			

Continued on next page.

Multi-line Order Information (continued)

Driver
<p><b>D010</b> = 0-10V Dimming, 1% to 100%, 120V-277V, 250-3000 lumens  <b>1D010</b> = 0-10V Dimming, 1% to 100%, 120V, 3500-7000 lumens  <b>2D010</b> = 0-10V Dimming, 1% to 100%, 277V, 3500-7000 lumens  <b>3D010</b> = 0-10V Dimming, 1% to 100%, 347V dedicated drivers for 800 to 3000 lumens; 250, 500, 3500-7000 lumens use step down transformer</p>
<p><b>D010TR</b> = 0-10V (120-277V) or Line Voltage (120V) dimming, 5-100%, 250- 3000 lumens  <b>1D010TR</b> = 0-10V or Line Voltage Dimming, 5% to 100%, 120V, 3500-4500 lumens  <b>2D010TR</b> = 0-10V Dimming, 5% to 100%, 277V, 3500-4500 lumens  <b>3D010TR</b> = 0-10V Dimming, 5% to 100% 347V step down transformer, 250-4500 lumens</p>
<p><b>DE010</b> = 0-10V Dimming, 0% to 100%, 120V-277V, 500-3000 lumens  <b>1DE010</b> = 0-10V Dimming, 0% to 100%, 120V, 3500-7,000 lumens  <b>2DE010</b> = 0-10V Dimming, 0% to 100%, 277V, 3500-7,000 lumens  <b>3DE010</b> = 0-10V Dimming, 0% to 100%, 347V step down transformer, 500-7,000 lumens</p>
<p><b>D5LT</b> = Fifth Light® (DALI T6) Logarithmic Dimming, 0% to 100%, 120V-277V, 500-3000 lumens  <b>1D5LT</b> = Fifth Light® (DALI T6) Logarithmic Dimming, 0% to 100%, 120V, 3500-7,000 lumens  <b>2D5LT</b> =Fifth Light® (DALI T6) Logarithmic Dimming, 0% to 100%, 277V, 3500-7,000 lumens  <b>3D5LT</b> =Fifth Light® (DALI T6) Logarithmic Dimming, 0% to 100% 347V step down transformer, 500-7,000 lumens</p>
<p><b>DMX</b> = DMX/RDM Logarithmic Dimming, 0% to 100%, 120V-277V, 800-3000 lumens<sup>(5)</sup>  <b>1DMX</b>=DMX/RDM Logarithmic Dimming, 0% to 100%, 120V, 3500-4500<sup>(5)</sup>  <b>2DMX</b>=DMX/RDM Logarithmic Dimming, 0% to 100%, 277V, 3500-4500<sup>(5)</sup>  <b>3DMX</b>=DMX/RDM Logarithmic Dimming, 0% to 100%, 347V step down transformer, 800-4500<sup>(5)</sup></p>
<p><b>DMXC5</b> = DMX/RDM Logarithmic Dimming, 0% to 100%, 120V-277V up to 800-3000 lumens, RJ45 Connection<sup>(5)</sup>  <b>1DMXC5</b>=DMX/RDM Logarithmic Dimming, 0% to 100%, 120V, 3500-4500 lumens, RJ45 Connection<sup>(5)</sup>  <b>2DMXC5</b>=DMX/RDM Logarithmic Dimming, 0% to 100%, 277V, 3500-4500 lumens, RJ45 Connection<sup>(5)</sup>  <b>3DMXC5</b>=DMX/RDM Logarithmic Dimming, 0% to 100%, 347V step down transformer, 800-4500 lumens, RJ45 Connection<sup>(5)</sup></p>
<p><b>DL2</b>=Lutron® Hi-Lume Forward Phase Dimming, 1% to 100%, 120V Only, 25' Max remote length, 800-3500 lumens  <b>3DL2</b> = Lutron® Hi-Lume Forward Phase Dimming, 1% to 100%, 347V step down transformer, 25' Max remote length, 800-3500 lumens</p>
<p><b>DLE</b> = Lutron Ecosystem dimming 1% to 100%, 120V-277V, 25' Max remote length, 800-3000 lumens  <b>1DLE</b>=Lutron Ecosystem dimming 1% to 100%, 120V, 25' Max remote length, 3500 lumens  <b>2DLE</b>=Lutron Ecosystem dimming 1% to 100%, 277V, 25' Max remote length, 3500 lumens  <b>3DLE</b>=Lutron Ecosystem dimming 1% to 100%, 347V, step down transformer, 25' Max remote length, 800-3500 lumens</p>
<p><b>DLV</b> = Low voltage dimming driver (1-100%) for use with DLVP system, 800-3000 lumens<sup>(6)</sup></p>

Options <sup>(9) (27) (28) (30)</sup>	Controls
<p><b>EMBOD</b>=Bodine® Emergency Module with Remote Test Switch<sup>(10)</sup>  <b>EMBOD6ST</b>=Bodine® 6W Self Test Emergency Module with Remote Test Switch  <b>EM7</b>=7W Emergency Module with Remote Test Switch  <b>EM14</b>=14W Emergency Module with Remote Test Switch</p>	<p><b>WPST</b>=Factory installed WaveLinx (includes control module, sensor, cable, tilemount and ceiling mount sensor)<sup>(11) (13)</sup>  <b>WLST</b>=Factory installed WaveLinx LITE Sensor Kit<sup>(11) (12)</sup>  <b>WPN</b> = WaveLinx PRO Wireless Node without sensor<sup>(31)</sup></p>
<p><b>EMBOD7ST</b>=Bodine® Self Test Emergency Module<sup>(10)</sup>  <b>EMV7</b>=7W Low Voltage Emergency Module with Remote Test Switch<sup>(7)</sup>  <b>EMV14</b>=14W Low Voltage Emergency Module with Remote Test Switch<sup>(7)</sup>  <b>ETRD</b>=Emergency transfer device<sup>(29)</sup></p>	

Accessories (Order separately) <sup>(26)</sup>		
<p><b>LGSKT6SQIP66</b>=IP66 Gasket Kit  <b>PRSQ6</b> = Rimless Plaster Ring<sup>(24)</sup>  <b>RKPSQ6</b> = Knife Edge plaster Ring<sup>(25)</sup>  <b>RPMSQ6MW</b> = Rimless Millwork Ring, Matte White<sup>(24)</sup>  <b>RPMSQ6MB</b> = Rimless Millwork Ring, Matte Black<sup>(24)</sup>  <b>RKMSQ6MW</b> = Knife Edge Millwork Ring, Matte White<sup>(25)</sup>  <b>RKMSQ6MB</b> = Knife Edge Millwork Ring, Matte Black<sup>(25)</sup></p>	<p><b>Bar Hangers</b>  <b>HB26</b>=C-channel Bar Hanger, 26" Long, Pair  <b>HB50</b>=C-channel Bar Hanger, 50" Long, Pair  <b>RMB22</b>=Wood Joist Bar Hanger, 22" Long, Pair</p> <p><b>Connected Lighting Systems</b><sup>(6) (11)</sup>  <b>WPST</b> = Field installed WaveLinx sensor Kit<sup>(13)</sup>  <b>WLST</b> = Field installed WaveLinx LITE Sensor Kit<sup>(12)</sup></p>	<p><b>Transformers</b>  <b>H347</b>=H347 for 90/97CRI 5500 lumens and below; 98CRI 4000 lumens and below; D2W 4500 lumens and below; W2N 4000 lumens and below  <b>H347200</b>=347 to 120V Step Down Transformer, 200VA</p>

- Notes:**
- IC rated up to 3000 lumens for 90 & 97 CRI, 2000 lumens for 98 CRI, 2500 lumens for D2W and 1000 lumens for W2N
  - Nominal Lumens will vary depending on selected color, CRI, driver and reflector finish. [Reference Multiplier tables.](#)
  - Product is marked spacing. [Reference table on page 4 for the spacing details.](#)
  - Not available with 5500, 6500, 7500 lumens
  - DMX fixtures default to full on upon loss of DMX signal.
  - Not available with Chicago Plenum.
  - ULus listed only
  - Offered up to 2500 lumens with D2W and 3500 with W2N  
 - D010, D5LT, DE010 up to 7000 lumens for 90 and 97 CRI and 4500 lumens with 98 CRI  
 - D010TR, DMX up to 4500 lumens for 90 and 97 CRI and 3000 lumens with 98 CRI  
 - DLE, DL2 up to 3500 lumens for 90 and 97 CRI and 2500 lumens with 98 CRI  
 - DLVP up to 3000 lumens for 90 and 97 CRI and 2000 lumens with 98 CRI
  - Not available with Chicago Plenum.
  - Not available for W2N or 6500-7000 lumens with 90 and 97 CRI.
  - Refer to system specifications for additional information, features, and benefits. Order either factory installed option or accessory. Use with 0-10V driver.
  - WLST = WaveLinx LITE tilemount sensor kit for daylight dimming, PIR motion sensing, use with D010 only (Refer to WaveLinx LITE system specifications)
  - WPST = WaveLinx wireless sensor kit for daylight dimming, PIR motion sensing, and optional RLTS - Real Time Location Services, use with 0-10V only.
  - Not available with 5500 lumens
  - Spun aluminum only
  - PS available in self-flanged MW finish only
  - Offered up to 4000 lumens
  - Flange is the same finish as the reflector
  - Requires knife edge ring
  - Anodized or spun reflectors
  - Die cast only
  - SQ and SQW trims only
  - Available with SQ and SQW anodized Aluminum trims. Required for use with all EMBOD, IEM7, IEM14, IEMV7 and IEMV14
  - Order trim with polymer trim ring (Consult specification sheet for color ordering information and options).
  - Order die cast trim with flange type 4
  - Accessories sold separately will be separately analyzed under domestic preference.
  - If using remote driver order battery and controls with the remote driver.
  - 120V-277V
  - Used to bypass local control during outage. Must be used in conjunction with UL 1008 device (provided by others).
  - Non-IC
  - WPN = WaveLinx PRO wireless node provides luminaire-level control with scene and zone configuration without an integrated sensor, Connects wirelessly with daylight dimming sensor and PIR motion sensor if desired. Use with 0-10V driver only.
  - Not available with CSSQ Cast Shallow Square, Die Cast Aluminum reflector

## Connected Solutions

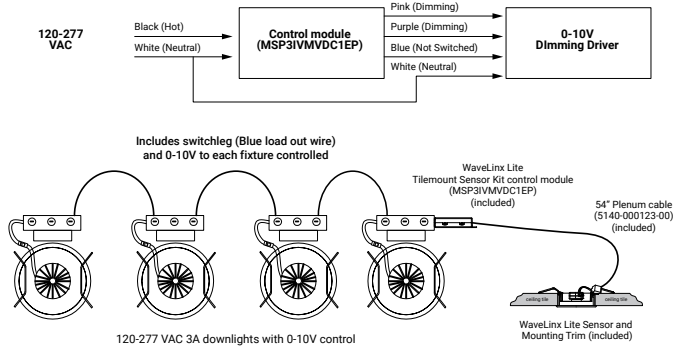
### WaveLinx LITE - WLST Tilemount Sensor



- Intuitive Android™ or Apple® iOS® app for basic system code compliant set up and configuration via Bluetooth
- Up to 28 unique areas per project site (WaveLinx LITE Bluetooth network)
- Up to 50 devices for an area, any one of 16 control zones, up to 6 occupancy sets, and custom lighting scenes
- Automatic occupancy or vacancy, sensor sensitivity, daylight dimming, etc. configurable through the app
- Refer to the WaveLinx system specifications for details



#### WaveLinx LITE WLST Tilemount Wiring Diagram



#### WaveLinx LITE Bluetooth Enabled System



### WaveLinx PRO Wireless – WPST Tilemount Sensor



- WaveLinx PRO Wireless functionality configures zones and customizes settings from one secure mobile app
- Automatic code commissioning that meets the strictest codes
- Fixtures and sensors integrate with Wireless Area Controller, Wall Stations, and Control Devices
- Stand-Along Offices or Entire Building Network Installations

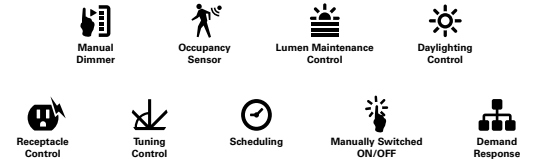
**Downlights with tilemount sensor wireless communication**  
Highly efficient LED fixtures

**WaveLinx Area Controller**  
Provides centralized coordination of multiple area control options

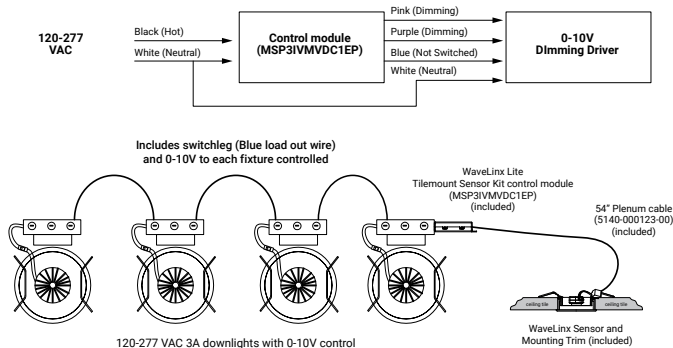
**Wireless Wall Station/Receptacle**  
Provides customized wireless control of each area

**Mobile Applications**  
Provides personalized, local control from a tablet or smartphone

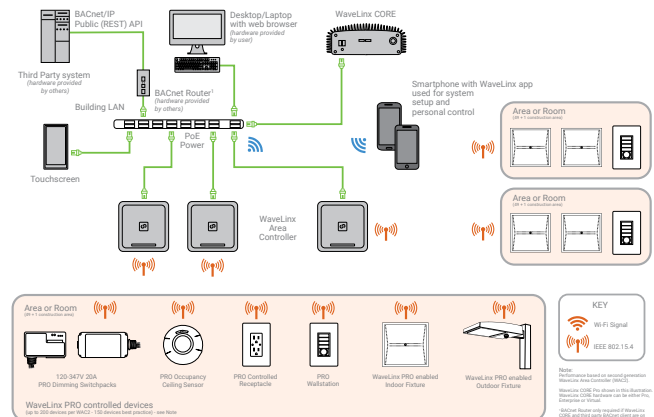
#### WaveLinx mobile app settings



#### WaveLinx PRO WPST Tilemount Wiring Diagram



#### WaveLinx CORE Building Management Integration



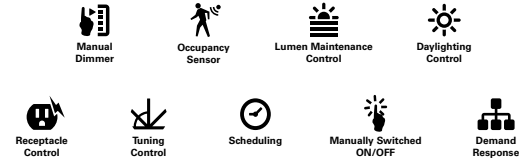
## Connected Solutions

### WaveLinx PRO Wireless Node - WPN

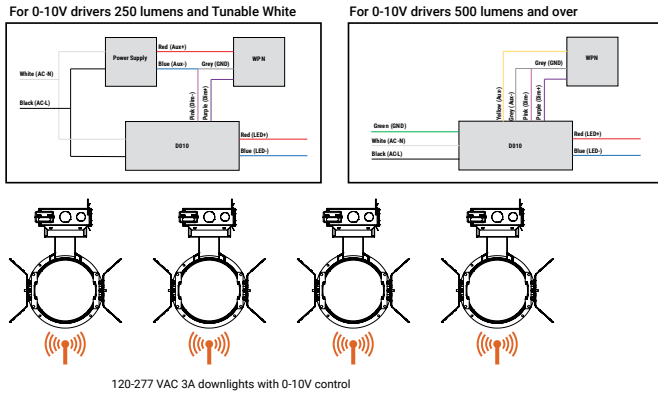
- WaveLinx Wireless functionality configures zones and customizes settings from one secure mobile app
- Automatic code commissioning that meets the strictest codes
- Fixtures and sensors integrate with WaveLinx Area Controller, Wall Stations, and Control Devices
- Stand-Alone Offices or Entire Building Network Installations



#### WaveLinx mobile app settings



#### WaveLinx PRO Wireless Node (WPN) Wiring Diagram



#### WaveLinx CORE Building Management Integration

