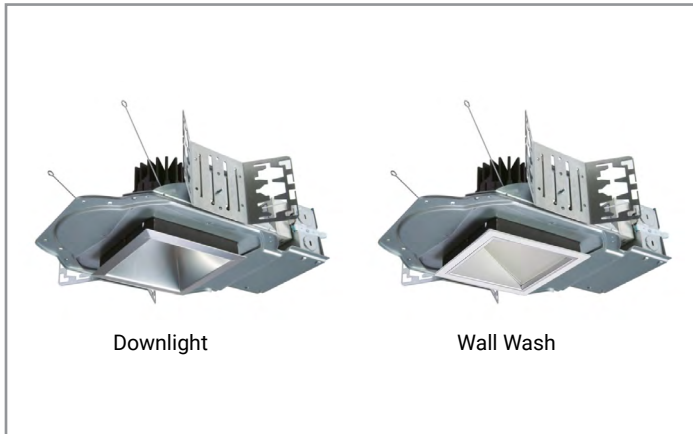


Project		Catalog #		Type	
Prepared by		Notes		Date	



## Portfolio

### LDSQ4C | EU4C | 4LBSQ

4" Square, New Construction Downlight and Wall Wash  
98CRI, Tunable white and dim to warm  
250-6000 Lumens

#### Typical Applications

Office • Education • Healthcare • Hospitality • Retail •  
Code-Compliance Areas • Sports Venues

#### Interactive Menu

- Order Information [page 2](#)
- Product Specifications [page 4](#)
- Dimensional & Mounting Details [page 5](#)
- Energy Data [page 6](#)
- Connected System [page 10](#)
- Product Warranty

#### Product Certification



#### Product Features



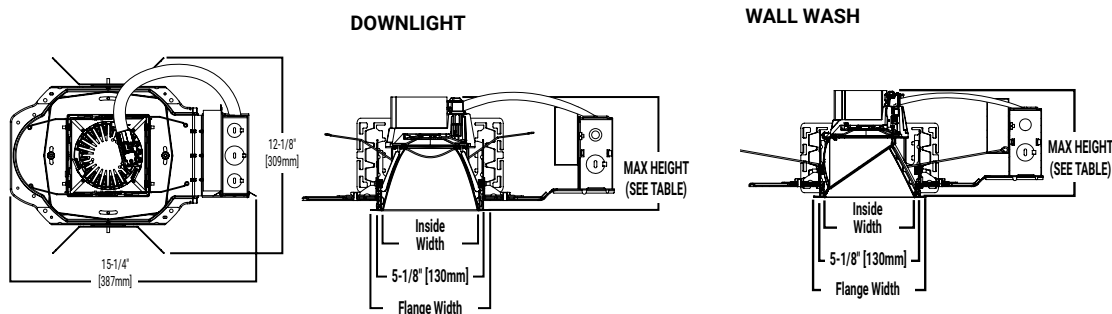
#### Control Compatibility



#### Top Product Features

- 250-6000 lumens; ENERGY STAR® qualified
- Optional snap in driver for ease of replacement; Die-cast or anodized aluminum reflectors
- Standard 0-10V driver dims to 1%; Easy disconnect for LED engine replacement and installation
- 98 CRI; 2400K, 2700K, 3000K, 3500K, 4000K, 5000K; D2W™ option from 3000K to 1850K
- W2N tunable white CCT range 2700K to 6500K or 2000K to 5000K

#### Dimensional and Mounting Details



[CLICK HERE](#)  
dimension information

## Single Line Order Information

SAMPLE ORDER NUMBER: **LDSQ4C209830D010M1H**

Invoice will indicate separate fixture components (housing, trim, module) which will ship complete from a single CLS facility in separate cartons. To receive separate components (housing, trim, module) shipment, click on the "Multi-Line Ordering Information Option" button to the right.

 Multi-line Ordering Information Option

Housing	Lumen <sup>(1)</sup>	Color Control	CCT <sup>(20)</sup>
<b>LDSQ4C</b> =LED Square Downlight 4" Nominal Aperture <b>LDSQ4CCP</b> =LED Square Downlight 4" Nominal Aperture, Chicago Plenum	<b>02</b> =250 lumens <sup>(27)</sup> <b>05</b> =500 lumens <sup>(27)</sup> <b>08</b> =800 lumens <sup>(27)</sup> <b>10</b> =1000 Lumens <sup>(28)</sup> <b>15</b> =1500 Lumens <b>20</b> =2000 Lumens <b>25</b> =2500 lumens <b>30</b> =3000 Lumens <sup>(10)</sup> <b>35</b> =3500 lumens <sup>(10)</sup>	<b>40</b> =4000 Lumens <sup>(10)</sup> <b>45</b> =4500 Lumens <sup>(10)</sup> <b>50</b> =5000 Lumens <sup>(10)</sup> <b>60</b> =6000 Lumens <sup>(10)</sup>	<b>98 CRI</b> <b>27</b> =2700K <b>30</b> =3000K <b>35</b> =3500K <b>40</b> =4000K <b>50</b> =5000K
		<b>98</b> =Full spectrum (Thrive) used with 98 CRI light engine <b>D2W</b> =Dim to warm for 800-2500, 3500-4500 lumens; 90CRI, 3000K <b>W2N2765</b> =Tunable White for 1000-3500 lumens, 2700K-6500K (D5LT & DE10 drivers only), 90CRI <sup>(21)</sup> <b>W2N2050</b> =Tunable White for 1000-3500 lumens, 2000K-5000K (D5LT & DE10 drivers only), 90CRI <sup>(21)</sup>	

Driver (Specify from Driver column.)	Information below for reference only.
	Remote driver & plug in driver
<b>D010</b> =0-10V Dimming, 1% to 100%, 120V-277V, <b>D2W</b> =800-2500 lumens / <b>98 CRI</b> =250-4500 lumens (up to 2000 lumens for remote driver) <b>1D010</b> =0-10V Dimming, 1% to 100%, 120V, <b>D2W</b> =3500-4500 lumens / <b>98 CRI</b> =5000, 6000 lumens (2500 to 4500 lumens for remote driver) <b>2D010</b> =0-10V Dimming, 1% to 100%, 277V, <b>D2W</b> =3500-4500 lumens / <b>98 CRI</b> =5000, 6000 lumens (2500 to 4500 lumens for remote driver)	Offered 800-2500 with D2W, 250-4500 with 98 CRI
<b>3D010</b> =0-10V Dimming, 1% to 100%, 347V dedicated drivers, <b>D2W</b> =800 to 2500 lumens, 3500 and above use step down transformer (250 to 4500 lumens for remote driver) <b>D010TR</b> =0-10V (120-277V) or Phase-Cut (120V) dimming, 5-100%, <b>D2W</b> =800-2500 lumens / <b>98 CRI</b> =250-3000 lumens (up to 2000 lumens for remote driver) <b>1D010TR</b> =0-10V Dimming, 5% to 100%, 120V, <b>D2W</b> =3500-4500 lumens / <b>98 CRI</b> =3500-6000 lumens (2500 to 3000 lumens for remote driver) <b>2D010TR</b> =0-10V Dimming, 5% to 100%, 277V, <b>D2W</b> =3500-4500 lumens / <b>98 CRI</b> 3500-6000 lumens (2500 to 3000 lumens for remote driver) <b>3D010TR</b> =0-10V Dimming, 5% to 100% 347V step down transformer, <b>D2W</b> =800-2500 & 3500-4500 lumens / <b>98 CRI</b> =250-6000 lumens (250 to 3000 lumens for remote driver)	Offered 800-2500 with D2W, 250-3000 with 98 CRI
<b>DE010</b> =0-10V Dimming, 0% to 100%, 120V-277V, <b>D2W</b> =800-2500 lumens / <b>98 CRI</b> =500-4500 lumens (up to 2000 lumens for remote driver) / <b>W2N</b> =1000 lumens <b>1DE010</b> =0-10V Dimming, 0% to 100%, 120V, <b>D2W</b> =3500-4500 / <b>98 CRI</b> =5000-6000 lumens (2500 to 4500 lumens for remote driver) / <b>W2N</b> =1500-3500 lumens <b>2DE010</b> =0-10V Dimming, 0% to 100%, 277V, <b>D2W</b> =3500-4500 / <b>98 CRI</b> =5000-6000 lumens (2500 to 4500 lumens for remote driver) / <b>W2N</b> =1500-3500 lumens <b>3DE010</b> =0-10V Dimming, 0% to 100%, 347V step down transformer, <b>D2W</b> =800-2500 and 3500-4500 lumens / <b>98 CRI</b> =500-6000 lumens (500 to 4500 lumens for remote driver) / <b>W2N</b> =1000-3500 lumens	Offered 800-2500 with D2W, 500-4500 with 98 CRI, W2N limited to 1000 lumens with remote driver and 1000-3500 lumens with plug in drivers
<b>D5LT</b> =Fifth Light® (DALI T6) Logarithmic Dimming, 0% to 100%, 120V-277V, <b>D2W</b> =800-2500 lumens / <b>98 CRI</b> =500-4500 lumens (up to 2000 lumens for remote driver) / <b>W2N</b> =1000 lumens <b>1D5LT</b> =Fifth Light® (DALI T6) Logarithmic Dimming, 0% to 100%, 120V, <b>D2W</b> =3500-4500 lumens / <b>98 CRI</b> =5000-6000 lumens (2500 to 4500 lumens for remote driver) / <b>W2N</b> =1500-3500 lumens <b>2D5LT</b> =Fifth Light® (DALI T6) Logarithmic Dimming, 0% to 100%, 277V, <b>D2W</b> =3500-4500 lumens / <b>98 CRI</b> =5000-6000 lumens (2500 to 4500 lumens for remote driver) / <b>W2N</b> ; 1500-3500 lumens <b>3D5LT</b> =Fifth Light® (DALI T6) Logarithmic Dimming, 0% to 100%, 347V step down transformer, <b>D2W</b> =800-2500 & 3500-4500 lumens / <b>98 CRI</b> ; 500-6000 lumens (500 to 4500 lumens for remote driver) / <b>W2N</b> =1000-3500 lumens	Offered 800-2500 with D2W, 500-4500 with 98 CRI, W2N limited to 1000 lumens with remote driver and 1000-3500 lumens with plug in drivers
<b>DMX</b> =DMX/RDM Logarithmic Dimming, 0% to 100%, 120V-277V, <b>D2W</b> =800-2500 lumens / <b>98 CRI</b> =800-3000 lumens (up to 2000 lumens for remote driver) <sup>(14)</sup> <b>1DMX</b> =DMX/RDM Logarithmic Dimming, 0% to 100%, 120V, <b>D2W</b> =3500-4500 lumens / <b>98 CRI</b> =3500-6000 lumens (2500 to 3000 lumens for remote driver) <sup>(14)</sup> <b>2DMX</b> =DMX/RDM Logarithmic Dimming, 0% to 100%, 277V, <b>D2W</b> =3500-4500 lumens / <b>98 CRI</b> =3500-6000 lumens (2500 to 3000 lumens for remote driver) <sup>(14)</sup> <b>3DMX</b> =DMX/RDM Logarithmic Dimming, 0% to 100%, 347V step down transformer, <b>D2W</b> =800-2500 & 3500-4500 lumens / <b>98 CRI</b> =800-6000 lumens (800 to 3000 lumens for remote driver) <sup>(14)</sup>	Offered 800-2500 with D2W, 800-3000 with 98 CRI
<b>DMXC5</b> =DMX/RDM Logarithmic Dimming, 0% to 100%, 120V-277V, RJ45 Connection, <b>D2W</b> =800-2500 lumens / <b>98 CRI</b> =800-3000 lumens (up to 2000 lumens for remote driver) <sup>(14)</sup> <b>1DMXC5</b> =DMX/RDM Logarithmic Dimming, 0% to 100%, 120V, RJ45 Connection, <b>D2W</b> =3500-4500 lumens / <b>98 CRI</b> =3500-6000 lumens (2500 to 3000 lumens for remote driver) <sup>(14)</sup> <b>2DMXC5</b> =DMX/RDM Logarithmic Dimming, 0% to 100%, 277V, RJ45 Connection, <b>D2W</b> =3500-4500 lumens / <b>98 CRI</b> =3500-6000 lumens (2500 to 3000 lumens for remote driver) <sup>(14)</sup> <b>3DMXC5</b> =DMX/RDM Logarithmic Dimming, 0% to 100%, RJ45 Connection, 347V step down transformer, <b>D2W</b> =800-2500 & 3500-4500 lumens / <b>98 CRI</b> =800-6000 lumens (800 to 3000 lumens for remote driver) <sup>(14)</sup>	Offered 800-2500 with D2W, 800-3000 with 98 CRI
<b>1DL2</b> =Lutron® Hi-Lume Forward Phase Dimming, 1% to 100%, 120V Only, <b>D2W</b> =800-2500 & 3500-4500 lumens / <b>98 CRI</b> =800-5000 lumens (800 to 2500 lumens for remote driver) <b>3DL2</b> =Lutron® Hi-Lume Forward Phase Dimming, 1% to 100%, 347V step down transformer, <b>D2W</b> =800-2500 & 3500-4500 lumens / <b>98 CRI</b> =800-5000 lumens (800 to 2500 lumens for remote driver)	Offered 800-2500 with D2W and 98 CRI
<b>DLE</b> =Lutron Ecosystem dimming 1% to 100%, 120V-277V, 800-2500 lumens (up to 2000 lumens for remote driver) <b>1DLE</b> =Lutron Ecosystem dimming 1% to 100%, 120V, <b>D2W</b> =3500-4500 lumens / <b>98 CRI</b> =3000-5000 lumens (2500 lumens for remote driver) <b>2DLE</b> =Lutron Ecosystem dimming 1% to 100%, 277V, <b>D2W</b> =3500-4500 lumens / <b>98 CRI</b> =3000-5000 lumens (2500 lumens for remote driver) <b>3DLE</b> =Lutron Ecosystem dimming 1% to 100%, 347V with step down transformer, <b>D2W</b> =800-2500 & 3500-4500 lumens / <b>98 CRI</b> =800-5000 lumens (800 to 2500 lumens for remote driver)	Offered 800-2500 with D2W and 98 CRI
<b>DLV</b> =Low voltage dimming driver (1-100%) for use with DLVP system, <b>D2W</b> =800-2500 lumens / <b>98 CRI</b> =800-2000 lumens <sup>(3)</sup>	Offered with remote driver only for 800-2500 with D2W and 800-2000 with 98 CRI

Driver Options	Bar Hanger
<b>Blank</b> =Integral driver <b>RC100</b> =Remote 100ft <sup>(33)</sup> <b>RC75</b> =Remote 75ft <sup>(33)</sup> <b>RC50</b> =Remote 50ft <sup>(33)</sup> <b>RC25</b> =Remote 25ft <sup>(3)</sup> <b>RC15</b> =Remote 15ft <sup>(3)</sup> <b>RC5</b> =Remote 5ft <sup>(3)</sup> <b>RC2</b> =Remote 2ft <sup>(3)</sup> <b>PD</b> =Plug in Driver <sup>(26)</sup>	<b>Blank</b> = Without hanger bars <b>B26</b> = C-channel Bar Hanger, 26" Long, Pair

Continued on next page.

## Single Line Order Information

Trim Distribution <sup>(5)</sup>	Trim Flange	Trim Finish	Options <sup>(3)</sup> <sup>(16)</sup> <sup>(31)</sup>
<b>SQ</b> = Medium beam 50° cutoff Anodized Aluminum <b>SQW</b> = Medium beam 45° cutoff Anodized Aluminum <b>CSSQ</b> =Cast Shallow Square, Die Cast Aluminum  <b>Wall Wash</b> <b>SQLWW</b> = Lensed Wall Wash	<b>0</b> =White Polymer Trim Ring <b>1</b> =Self-flanged <sup>(13)</sup> <b>2</b> =White Painted Self-flanged <b>4</b> =Knife edge rimless use with die cast only <sup>(6)</sup> <sup>(23)</sup>	<b>LI</b> =Specular Clear <sup>(9)</sup> <b>H</b> =Semi-Specular Clear <sup>(9)</sup> <b>WMH</b> =Warm Haze <sup>(9)</sup> <b>WH</b> =Wheat <sup>(9)</sup> <b>GPH</b> =Graphite Haze <sup>(9)</sup> <b>B</b> =Specular Black <sup>(9)</sup> <b>MW</b> =Matte White (Antimicrobial) <b>MB</b> =Matte Black <sup>(8)</sup> <b>MMS</b> =Matte Metallic Silver <sup>(8)</sup>	<b>EMBOD</b> =Bodine® Emergency Module with Remote Test Switch <sup>(25)</sup> <b>EMBOD6ST</b> =Bodine® 6W Self Test Emergency Module with Remote Test Switch <b>EM7</b> =7W Emergency Module with Remote Test Switch <b>EM14</b> =14W Emergency Module with Remote Test Switch <b>EMBOD7ST</b> =Bodine® Self Test Emergency Module <sup>(25)</sup> <b>IEMBOD</b> =Bodine® Emergency Module with Integral Test Switch <sup>(6)</sup> <sup>(25)</sup> <b>IEM7</b> =7W Emergency Module with Integral Test Switch <sup>(6)</sup> <b>IEM14</b> =14W Emergency Module with Integral Test Switch <sup>(6)</sup> <b>EMV7</b> =7W Low Voltage Emergency Module with Remote Test Switch <sup>(4)</sup> <b>EMV14</b> =14W Low Voltage Emergency Module with Remote Test Switch <sup>(4)</sup> <b>ETRD</b> =Emergency transfer device <sup>(32)</sup> <b>WPST</b> = Factory installed WaveLinx (includes control module, sensor, cable, tilemount and ceiling mount sensor) <sup>(15)</sup> <sup>(16)</sup> <b>WLST</b> = Factory installed WaveLinx LITE Sensor Kit <sup>(15)</sup> <sup>(17)</sup>
<b>PSSQMW1</b> =Non-Conductive Shallow, Self Flanged Injection Molded, White <sup>(11)</sup> <sup>(12)</sup>			

### Accessories (Sold separately) <sup>(22)</sup>

<b>PRR6</b> =Rimless Plaster Ring <sup>(2)</sup> <b>RKP6</b> =Knife Edge plaster Ring <sup>(24)</sup>  <b>RPM6MW</b> =Rimless Millwork Ring, Matte White <sup>(2)</sup> <b>RPM6MB</b> =Rimless Millwork Ring, Matte Black <sup>(2)</sup> <b>RKM6MW</b> =Knife Edge Millwork Ring, Matte White <sup>(24)</sup> <b>RKM6MB</b> =Knife Edge Millwork Ring, Matte Black <sup>(24)</sup>	<b>TRM6P</b> =White metal trim ring <sup>(2)</sup> <b>LGSKT6IP66</b> =IP66 Gasket Kit <b>DT6RF</b> =6 inch frosted acrylic ring <sup>(29)</sup>  <b>Connected Lighting Systems</b> <sup>(9)</sup> <sup>(15)</sup> <b>WPST</b> =Field installed WaveLinx sensor Kit <sup>(17)</sup> <b>WLST</b> =Field installed WaveLinx LITE Sensor Kit <sup>(18)</sup>	<b>Bar Hangers</b> <b>HB50</b> =C-channel Bar Hanger, 50" Long, Pair <b>RMB22</b> =Wood Joist Bar Hanger, 22" Long, Pair	<b>Transformers</b> <b>H347</b> =H347 for 98CRI 4000 lumens and below; D2W 4500 lumens and below; W2N 4000 lumens and below <b>H347200</b> =347 to 120V Step Down Transformer, 200VA
--	--	--	--

#### Notes:

- Nominal Lumens will vary depending on selected color, CRI, driver and reflector finish. Reference IES files.
- Order trim with polymer trim ring (Consult specification sheet for color ordering information and options).
- Not available with Chicago Plenum.
- ULus listed only
- Beam angles are nominal with LI finish trims.
- Available with narrow (N), medium (M) and medium 45 degree (MD) Spun Aluminum trims. Required for use with all IEMBOD, IEM7, IEM14, IEMV7 and IEMV14 housings. Not offered with remote driver.
- Only available with Matte White and Matte Black Finishes.
- Available only on CS distributions.
- Not available on PS, CS or BA distributions.
- Product is marked spacing. [Reference table on page 4.](#)
- PS available in self-flanged MW finish only.
- Offered up to 2000 lumens

- Flange is the same finish as the reflector
- DMX fixtures default to full on upon loss of DMX signal.
- Refer to system specifications for additional information, features, and benefits. Order either factory installed option or accessory. Use with 0-10V driver.
- Non-IC
- WLST=WaveLinx LITE tilemount sensor kit for daylight dimming, PIR motion sensing, use with D010 only (Refer to WaveLinx LITE system specifications)
- WPST=WaveLinx wireless sensor kit for daylight dimming, PIR motion sensing, and optional RLTS - Real Time Location Services, use with 0-10V only.
- Not required for W2N and D2W.
- Accessories sold separately will be separately analyzed under domestic preference requirements. Consult factory for further information.
- Accessory (Requires knife edge accessory ring)
- Order die cast trim with flange type 4
- Not available for W2N

- Offered up to 2500 lumens with D2W and 3500 with W2N  
 - D010, D5LT, DE010 up to 4500 lumens with 98 CRI  
 - D010TR, DMX up to 3000 lumens with 98 CRI  
 - DLE, DL2 up to 2500 lumens with 98 CRI
- IC rated
- Tunable white IC rated with 1000 lumens
- Order with self flanged trim.
- Offered with DLVP up to 2000 lumens with 98 CRI.
- 120V-277V
- Used to bypass local control during outage. Must be used in conjunction with UL 1008 device (provided by others)
- Not available with Lutron drivers

## Product Specifications

### Lower Shielding Reflector

- Painted die cast aluminum or anodized aluminum lower reflector with medium beam or medium beam 45° cutoff with a lensed upper optical chamber providing superior lumen output with minimal source brightness.
- Anodized reflectors are offered in all Portfolio finishes.
- Reflector is retained with two torsion springs holding the flange tight to the finished ceiling surface.
- Plaster lathing ring, knife edge and millwork ring accessory for flush reflector transition

### Wall Wash Reflector

- **Lensed Wall Wash** - Angle cut aluminum lower reflector in combination with spread lens provides even vertical illumination with minimal downlight.

### Trim Retention

- Two torsion springs hold reflector flange tightly to the finished ceiling surface

### Plaster Frame/Collar

- Galvanized steel plaster frame with adjustable collar adjusts for up to 2" thick ceilings and rotates +/- 7.5°.

### Universal Mounting Bracket

- Accepts 1/2" Electric Metallic Tube (EMT), C-channel and bar hangers
- Adjusts 5" vertically from above and below the ceiling

### Junction box

- Four 1/2" and two 3/4" trade size pry outs positioned to allow straight conduit runs
- Lever connectors for simple push in wiring
- Listed for (4) #12 AWG (two in, two out) 90°C conductors and feed thru branch wiring for type IC and Plug in drivers for 120/277V only. For all other cases (8) #12 AWG (four in, four out) 90°C conductors and feed thru branch wiring for 120/277V only

### Thermal

- Aluminum heat sink conducts heat away from the LED module for improved performance and longer life

### LED System

- Contains a plurality of high brightness white LED's combined with a high reflectance upper reflector and convex transitional lens producing even distribution without pixilation
- Auto resetting, thermally protected, LED's are turned off when safe operating temperatures are exceeded
- Quick disconnect allows for tool-less replacement of LED engine from below ceiling
- 98 CRI and W2N: L70 55,000 hours

- Color variation within 2-step MacAdam ellipses
- Available in 2400K, 2700K, 3000K, 3500K, 4000K and 5000K correlated color temperature (CCT)
- D2W™ – dim-to-warm shifts CCT from 3000K to 1850K as fixture dims mimicking halogen sources.
- W2N - Tunable white CCT range 2700K to 6500K or 2000K to 5000K, 90 CRI. Standard
- **98 CRI** With a full-spectrum approach using broad-blue chip technology and special phosphor blends, Thrive is able to closely match the spectrum of the sun across all color temperatures. Benefits of the natural spectrum of the sun using Thrive include superior accurate color rendering, reduced eye strain, and a higher sense of emotional well-being.

### Driver

- Standard 120-277V 0-10V dimming driver provides flicker free dimming from 100% to 1%
- Optional 120V leading edge/0-10V, <1% 0-10V, Fifth Light, DMX or Lutron® Ecosystem
- Driver can be serviced from above or through the aperture
- Distributed low voltage power system combines power, lighting, and controls with ease of installation.
- Optional magnetically guided snap in driver for ease of maintenance.

### Emergency Option

- Provides 90 minutes of standby lighting, meeting most life safety codes for egress lighting
- Available with integral or remote charge indicator and test switch
- Available Self-Test with remote charge indicator and test switch
- Emergency transfer device (ETRD) senses the loss of power regardless of local control settings allowing emergency power to the fixture.
- UL 924 listed

### Connected Lighting System

Two WaveLinX connected solutions to choose from. Refer to WaveLinX system specifications and application guides for details.

#### WaveLinX PRO Tilemount Sensor Kit

- WaveLinX WPST tilemount sensor kit offers daylight dimming, PIR motion sensing, scene and zone configuration, automatic commissioning; and optional RLTS - Real Time Location Services available.

#### WaveLinX PRO Wireless Node

- WaveLinX PRO wireless node provides luminaire-level control with scene and zone configuration without an integrated sensor. Connects wirelessly with daylight dimming sensor and PIR motion sensor if desired. Use with 0-10V driver only.

#### WaveLinX LITE Tilemount Sensor Kit

- WaveLinX LITE WLST tilemount sensor kit offers daylight dimming and PIR motion sensing, scene and grouping configuration.

#### WaveLinX Tilemount Kits Application

- The WPST and WLST tilemount kits include a control module mounted on the luminaire junction box via 1/2" knock-out, and a tilemount sensor on 54-inch whip; for ceiling installation by direct-mount spring clips or via mounting bracket in octagon ceiling boxes.
- The WPST and WLST tilemount kits may be ordered as factory installed on the luminaire, or ordered separately as a field installed accessory kit.

#### Code Compliance

- Thermally protected
- cULus Certified to UL 1598 / C22.2 No. 250.0 suitable for wet locations with downlight; damp location with wall wash and hyperbolic with covered ceiling
- IP66 rated when used with IP66 gasket kit accessory
- Optional City of Chicago environmental air (CCEA) marking for plenum applications
- FCC CFR Title 47 Part 15 Class B at 120VAC and Class A at 277VAC
- Insulated ceiling (IC) rated up to 800 lumens (98 CRI & D2W); 1000 lumens (W2N). All others are non-IC rated (insulation must be kept 3" from top and sides of housing).
- Can be used for State of California Title 24 high efficacy LED compliance under JA8, reference Modernized Appliance Efficiency Database System (MAEDBS) for 2016 JA8 High Efficacy Lighting
- RoHS compliant
- Photometric testing completed in accordance with IES LM-79
- LED life testing completed in accordance with IES LM-80-08 and TM-21-11 standards
- See table on page 3 for marked spacing requirements

#### Warranty

- Five year warranty [www.cooperlighting.com/legal](http://www.cooperlighting.com/legal)

## Marked Spacing

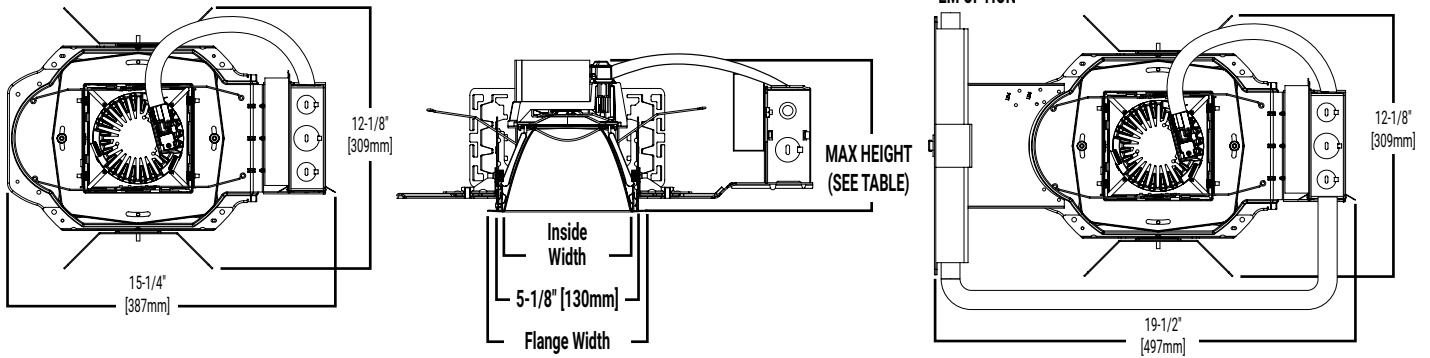
4-inch Marked spacing for 98 CRI			
3000-6000	36	36	8

4-inch Marked spacing for D2W			
3500-4500	36	36	8

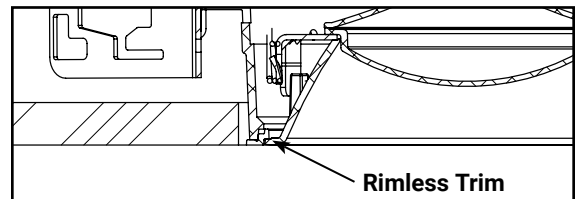
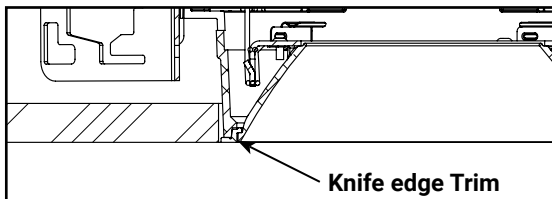
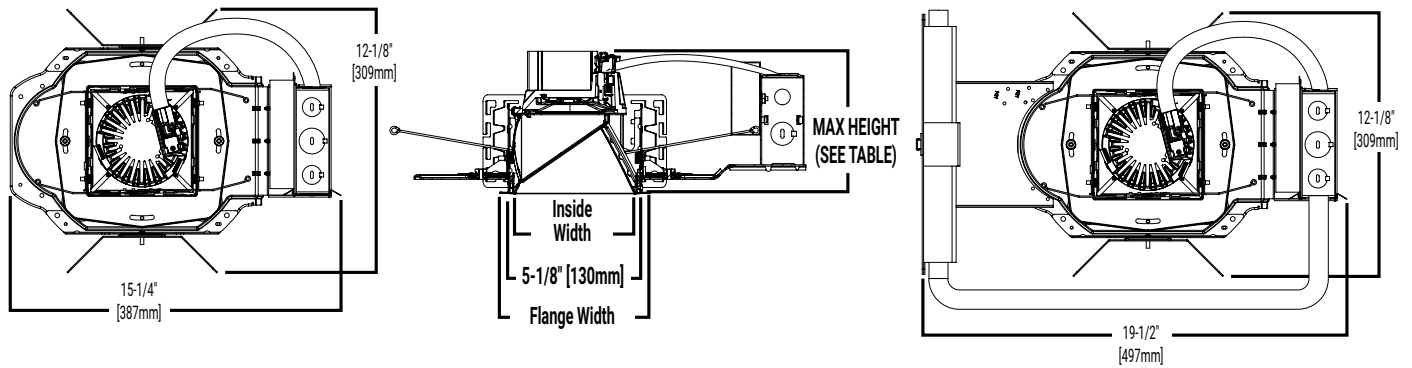
4-inch Marked spacing for W2N			
3000	36	36	0.5
3500	36	36	8

## Dimensional and Mounting Details

### DOWNLIGHT



### WALL WASH



CATALOG #	Flange WIDTH [IN]	INSIDE WIDTH [IN]	MAX HEIGHT				
			250-2000 LUMENS (90/97CRI)	2500-4000 LUMENS (90/97CRI)	4500-6000 LUMENS (90/97CRI)	1000-1500IC LUMENS (90/97CRI)	2 LEDs 4500-7500 LUMENS (90/97CRI)
4LBSQ	5.68	4.48	5.6	5.6	5.8	6.3	8.3
4LBCSSQ	5.66	4.48	5.6	5.6	5.6	5.6	6.4
4LBSQW	5.68	4.1	5.8	6	6.4	6.9	8.9
4LBSQLWW	5.68	4.5	5.6	5.6	5.7	6.2	8.2

## Energy and Performance Data

### D010 DRIVER ENERGY DATA

Series	250 lumen		500 lumen		800 lumen		1000 lumen		1500 lumen		2000 lumen	
Input Voltage 120-277VAC	120V	277V	120V	277V	120V	277V	120V	277V	120V	277V	120V	277V
Input Current (A)	0.029	0.017	0.061	0.032	0.085	0.041	0.084	0.042	0.135	0.063	0.189	0.084
Input Power (W)	3.45	3.87	7.33	7.78	10.15	10.52	10.04	10.43	16.17	16.56	22.58	22.63
In-rush (A)	2.1	8.5	3.7	8.5	3.6	8.3	3.6	8.4	2.3	9.5	2.1	9.7
Inrush duration (µs)	250	131	190	136	220	135	226	136	230	125	243	132
THDi (%)	7.21	16.92	7.82	10.78	5.57	9.63	7.78	9.24	4.75	9.93	8.03	7.44
PF	≥ 0.98	≥ 0.9	≥ 0.99	≥ 0.93	≥ 0.99	≥ 0.95	≥ 0.99	≥ 0.95	≥ 0.99	≥ 0.94	≥ 0.99	≥ 0.96

Series	2500 lumen		3000 lumen		3500 lumen		4000 lumen		4500 lumen		5000 lumen	
Input Voltage 120-277VAC	120V	277V	120V	277V	120V	277V	120V	277V	120V	277V	120V	277V
Input Current (A)	0.276	0.121	0.276	0.121	0.333	0.152	0.404	0.181	0.421	0.192	0.491	0.216
Input Power (W)	32.98	32.57	32	32.57	39.83	39.84	48.38	47.94	50.22	50.17	58.69	58.01
In-rush (A)	2.5	11.8	3.6	11.8	3.1	14.3	3.1	14.5	5.6	22.6	5.6	22.6
Inrush duration (µs)	215	111	220	111	200	94	197	95	215	120	213	135
THDi (%)	9.86	6.57	5.57	6.57	4.25	10.05	5.02	7.97	6.12	8.35	8.51	7.92
PF	≥ 0.99	≥ 0.97	≥ 0.99	≥ 0.99	≥ 0.99	≥ 0.94	≥ 0.99	≥ 0.95	≥ 0.99	≥ 0.95	≥ 0.99	≥ 0.96

Series	5500 lumen		6000 lumen	
Input Voltage 120-277VAC	120V	277V	120V	277V
Input Current (A)	0.526	0.231	0.542	0.256
Input Power (W)	62.97	61.97	64.88	65.7
In-rush (A)	5.1	23.1	6.2	27.5
Inrush duration (µs)	217	138	188	101
THDi (%)	9.42	7.16	4.33	11.86
PF	≥ 0.99	≥ 0.96	≥ 0.99	≥ 0.93

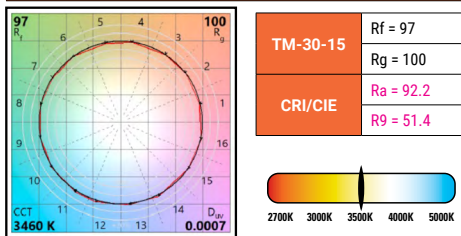
Minimum starting temperature -30°C (-22°F)\*  
(Nominal input 120-277VAC & 100% of rated output power)

Sound Rating: Class A standards

**Notes:**  
Emergency Battery packs are rated for a minimum starting temperature of 0°C.

### COLOR METRICS - TM-30-15 & CRI/CIE

#### 98 CRI Color Metric Summary - 3500K\*



\* Color values are based on haze reflector, other finishes and field results may vary.

### Beam Angles

Trim	Beam Angle
4LBPSQMW	NON CONDUCTIVE
4LBSQH	MEDIUM/WIDE 65° BEAM (H)
4LBSQLI	MEDIUM/WIDE 65° BEAM
4LBSQLWWH	LENSED WALL WASH (H)
4LBSQLWWLI	LENSED WALL WASH (LI)
4LBSQWH	MEDIUM/WIDE 45° CUTOFF 60° BEAM (H)
4LBSQWLI	MEDIUM/WIDE 45° CUTOFF 55° BEAM (LI)

## Multi-line Order Information

SAMPLE ORDER NUMBER: **LD4C10D010TRIEM14**

Invoice will indicate separate fixture components (housing, trim, module) and may ship from multiple CLS facilities in separate cartons.

 **Single line Ordering Information Option**

Housing	Lumens <sup>(2)</sup>				Color Control
<b>LDSQ4C</b> =LED Square Downlight 4" Nominal Aperture <b>LDSQ4CCP</b> =LED Square Downlight 4" Nominal Aperture, Chicago Plenum	<b>02</b> =250 lumens <b>05</b> =500 lumens <b>08</b> =800 lumens <b>10</b> =1000 lumens	<b>15</b> =1500 lumens <b>20</b> =2000 lumens <b>25</b> =2500 lumens	<b>30</b> =3000 lumens <sup>(3)</sup> <b>35</b> =3500 lumens <sup>(3)</sup> <b>40</b> =4000 lumens <sup>(3)</sup>	<b>45</b> =4500 lumens <sup>(3)</sup> <b>50</b> =5000 lumens <sup>(3)</sup> <b>60</b> =6000 lumens <sup>(3)</sup>	<b>Blank</b> =W2N <b>D2W</b> =Dim to warm <b>FS</b> =Full spectrum (Thrive) used with 98 CRI light engine

Driver (Specify from Driver column.)		Information below for reference only.
		Remote driver & plug in driver
<b>D010</b> =0-10V Dimming, 1% to 100%, 120V-277V, <b>D2W</b> =800-2500 lumens / <b>98 CRI</b> =250-4500 lumens (up to 2000 lumens for remote driver) <b>1D010</b> =0-10V Dimming, 1% to 100%, 120V, <b>D2W</b> =3500-4500 lumens / <b>98 CRI</b> =5000-6000 lumens (2500 to 4500 lumens for remote driver) <b>2D010</b> =0-10V Dimming, 1% to 100%, 277V, <b>D2W</b> =3500-4500 lumens / <b>98 CRI</b> =5000-6000 lumens (2500 to 4500 lumens for remote driver) <b>3D010</b> =0-10V Dimming, 1% to 100%, 347V dedicated drivers, <b>D2W</b> =800 to 2500 lumens, 3500 and above use step down transformer and dedicated driver / <b>98 CRI</b> =800-3000 lumens & 250, 500, 3500 and above use step down transformer (250 to 4500 lumens for remote driver) <b>1 driver:</b> D2W=800-2500 lumens / 98 CRI=250-4500 lumens; <b>2 drivers:</b> D2W=3500-4500 lumens / 98 CRI=5000-6000 lumens		800-2500 with D2W, 250-4500 with 98 CRI
<b>D010TR</b> =0-10V (120-277V) or Phase-Cut (120V) dimming, 5-100%, <b>D2W</b> =800-2500 lumens / <b>98 CRI</b> =250-3000 lumens (up to 2000 lumens for remote driver) <b>1D010TR</b> =0-10V or Phase-Cut Dimming, 5% to 100%, 120V, <b>D2W</b> =3500-4500 lumens / <b>98 CRI</b> =3500-6000 lumens (2500 to 3000 lumens for remote driver) <b>2D010TR</b> =0-10V Dimming, 5% to 100%, 277V, <b>D2W</b> =3500-4500 lumens / <b>98 CRI</b> =3500-6000 lumens (2500 to 3000 lumens for remote driver) <b>3D010TR</b> =0-10V Dimming, 5% to 100% 347V step down transformer, <b>D2W</b> =800-2500 & 3500-4500 lumens / <b>98 CRI</b> =250-6000 lumens (250 to 3000 lumens for remote driver) <b>1 driver:</b> D2W=800-2500 lumens / 98 CRI=250-3000 lumens; <b>2 drivers:</b> D2W=3500-4500 lumens / 98 CRI=3500-6000 lumens		800-2500 with D2W, 250-3000 with 98 CRI
<b>DE010</b> =0-10V Dimming, 0% to 100%, 120V-277V, <b>D2W</b> =800-2500 lumens / <b>98 CRI</b> =500-4500 lumens (up to 2000 lumens for remote driver) / <b>W2N</b> =1000 lumens <b>1DE010</b> =0-10V Dimming, 0% to 100%, 120V, <b>D2W</b> =3500-4500 lumens / <b>98 CRI</b> =5000-6000 lumens (2500 to 4500 lumens for remote driver) / <b>W2N</b> =1500-3500 lumens <b>2DE010</b> =0-10V Dimming, 0% to 100%, 277V, <b>D2W</b> =3500-4500 lumens / <b>98 CRI</b> =5000-6000 lumens (2500 to 4500 lumens for remote driver) / <b>W2N</b> =1500-3500 lumens <b>3DE010</b> =0-10V Dimming, 0% to 100%, 347V step down transformer, <b>D2W</b> =800-2500 & 3500-4500 lumens / <b>98 CRI</b> =500-6000 lumens (500 to 4500 lumens for remote driver) / <b>W2N</b> =1000-3500 lumens <b>1 driver:</b> D2W=800-2500 lumens / 98 CRI=500-4500 lumens; <b>2 drivers:</b> D2W=3500-4500 lumens / 98 CRI=5000-6000 lumens		800-2500 with D2W, 500-4500 with 98 CRI
<b>D5LT</b> =Fifth Light® (DALI T6) Logarithmic Dimming, 0% to 100%, 120V-277V, <b>D2W</b> =800-2500 lumens / <b>98 CRI</b> =500-4500 lumens (up to 2000 lumens for remote driver) / <b>W2N</b> =1000 lumens <b>1D5LT</b> =Fifth Light® (DALI T6) Logarithmic Dimming, 0% to 100%, 120V, <b>D2W</b> =3500-4500 lumens / <b>98 CRI</b> =5000-6000 lumens (2500 to 4500 lumens for remote driver) / <b>W2N</b> =1500-3500 lumens <b>2D5LT</b> =Fifth Light® (DALI T6) Logarithmic Dimming, 0% to 100%, 277V, <b>D2W</b> =3500-4500 lumens / <b>98 CRI</b> =5000-6000 lumens (2500 to 4500 lumens for remote driver) / <b>W2N</b> =1500-3500 lumens <b>3D5LT</b> =Fifth Light® (DALI T6) Logarithmic Dimming, 0% to 100%, 347V step down transformer, <b>D2W</b> =800-2500 & 3500-4500 lumens / <b>98 CRI</b> =500-6000 lumens (500 to 4500 lumens for remote driver) / <b>W2N</b> =1000-3500 lumens <b>1 driver:</b> D2W=800-2500 lumens / 98 CRI=500-4500 lumens; <b>2 drivers:</b> D2W=3500-4500 lumens / 98 CRI=5000-6000 lumens		800-2500 with D2W, 500-4500 with 98 CRI
<b>DMX</b> =DMX/RDM Logarithmic Dimming, 0% to 100%, 120V-277V, <b>D2W</b> =800-2500 lumens / <b>98 CRI</b> =800-3000 lumens (up to 2000 lumens for remote driver) <sup>(5)</sup> <b>1DMX</b> =DMX/RDM Logarithmic Dimming, 0% to 100%, 120V, <b>D2W</b> =3500-4500 lumens / <b>98 CRI</b> =3500-6000 lumens (2500 to 3000 lumens for remote driver) <sup>(5)</sup> <b>2DMX</b> =DMX/RDM Logarithmic Dimming, 0% to 100%, 277V, <b>D2W</b> =3500-4500 lumens / <b>98 CRI</b> =3500-6000 lumens (2500 to 3000 lumens for remote driver) <sup>(5)</sup> <b>3DMX</b> =DMX/RDM Logarithmic Dimming, 0% to 100%, 347V step down transformer, <b>D2W</b> =800-2500 & 3500-4500 lumens / <b>98 CRI</b> =800-6000 lumens (800 to 3000 lumens for remote driver) <sup>(5)</sup> <b>1 driver:</b> D2W=800-2500 lumens / 98 CRI=800-3000 lumens; <b>2 drivers:</b> D2W=3500-4500 lumens / 98 CRI=3500-6000 lumens		800-2500 with D2W, 800-3000 with 98 CRI
<b>DMXC5</b> =DMX/RDM Logarithmic Dimming, 0% to 100%, 120V-277V, RJ45 Connection, <b>D2W</b> =800-2500 lumens / <b>98 CRI</b> =800-3000 lumens (up to 2000 lumens for remote driver) <sup>(5)</sup> <b>1DMXC5</b> =DMX/RDM Logarithmic Dimming, 0% to 100%, 120V, RJ45 Connection, <b>D2W</b> =3500-4500 & 7000 lumens / <b>98 CRI</b> =3500-6000 lumens (2500 to 3000 lumens for remote driver) <sup>(5)</sup> <b>2DMXC5</b> =DMX/RDM Logarithmic Dimming, 0% to 100%, 277V, RJ45 Connection, <b>D2W</b> =3500-4500 & 7000 lumens / <b>98 CRI</b> =3500-6000 lumens (2500 to 3000 lumens for remote driver) <sup>(5)</sup> <b>3DMXC5</b> =DMX/RDM Logarithmic Dimming, 0% to 100%, 347V step down transformer, RJ45 Connection, <b>D2W</b> =800-2500 & 3500-4500 lumens / <b>98 CRI</b> =800-6000 lumens (800 to 3000 lumens for remote driver) <sup>(5)</sup> <b>1 driver:</b> D2W=800-2500 lumens / 98 CRI=800-3000 lumens; <b>2 drivers:</b> D2W=3500-4500 lumens / 98 CRI=3500-6000 lumens		800-2500 with D2W, 800-3000 with 98 CRI
<b>1DL2</b> =Lutron® Hi-Lume Forward Phase Dimming, 1% to 100%, 120V, <b>D2W</b> =800-2500 & 3500-4500 lumens / <b>98 CRI</b> =800-5000 lumens (800 to 2500 lumens for remote driver) <b>3DL2</b> =Lutron® Hi-Lume Forward Phase Dimming, 1% to 100%, 347V with step down transformer, <b>D2W</b> =800-2500 & 3500-4500 lumens / <b>98 CRI</b> =800-5000 lumens (800 to 2500 lumens for remote driver) <b>1 driver:</b> D2W=800-2500 lumens / 98 CRI=800-2500 lumens; <b>2 drivers:</b> D2W=3500-4500 lumens / 98 CRI=3000-5000 lumens		800-2500 with D2W and 98 CRI
<b>DLE</b> =Lutron Ecosystem dimming 1% to 100%, 120V-277V, <b>D2W</b> =800-2500 lumens / <b>98 CRI</b> =800-2500 lumens (up to 2000 lumens for remote driver) <b>1DLE</b> =Lutron Ecosystem dimming 1% to 100%, 120V, <b>D2W</b> =3500-4500 lumens / <b>98 CRI</b> =3000-5000 lumens (2500 lumens for remote driver) <b>2DLE</b> =Lutron Ecosystem dimming 1% to 100%, 277V, <b>D2W</b> =3500-4500 lumens / <b>98 CRI</b> =3000-5000 lumens (2500 lumens for remote driver) <b>3DLE</b> =Lutron Ecosystem dimming 1% to 100%, 347V with step down transformer, <b>D2W</b> =800-2500 & 3500-4500 lumens / <b>98 CRI</b> =800-5000 lumens (800 to 2500 lumens for remote driver) <b>1 driver:</b> D2W=800-2500 lumens / 98 CRI=800-2500 lumens; <b>2 drivers:</b> D2W=3500-4500 lumens / 98 CRI=3000-5000 lumens		800-2500 with D2W and 98 CRI
<b>DLV</b> =Low voltage dimming driver (1-100%) for use with DLVP system, <b>D2W</b> =800-2500 lumens / <b>98 CRI</b> =800-2000 lumens <sup>(6)</sup>		800-2500 with D2W and 800-2000 with 98 CRI (Not offered with plug in driver)
<b>DE010W2N2765</b> =Tunable white 2700-6500K, 0-10V Dimming, 0% to 100%, 120-277V, 1000 lumens <b>1DE0102765</b> =Tunable white 2700-6500K, 120V, 0-10V Dimming, 0% to 100%, 1500-3500 lumens <b>2DE0102765</b> =Tunable white 2700-6500K, 120V, 0-10V Dimming, 0% to 100%, 1500-3500 lumens <b>3DE0102765</b> =Tunable white 2700-6500K, 347V with step down transformer, 0-10V Dimming, 0% to 100%, 1000-3500 lumens <b>1 driver:</b> 1000-3500 lumens		Remote driver limited to 1000 lumens, Plug in driver 1000-3500 lumens
<b>DE010W2N2050</b> =Tunable white 2000-5000K, 0-10V Dimming, 0% to 100%, 120-277V, 1000 lumens <b>1DE0102050</b> =Tunable white 2000-5000K, 120V, 0-10V Dimming, 0% to 100%, 1500-3500 lumens <b>2DE0102050</b> =Tunable white 2000-5000K, 277V, 0-10V Dimming, 0% to 100%, 1500-3500 lumens <b>3DE0102050</b> =Tunable white 2000-5000K, 347V with step down transformer, 0-10V Dimming, 0% to 100%, 1000-3500 lumens <b>1 driver:</b> 1000-3500 lumens		Remote driver limited to 1000 lumens, Plug in driver 1000-3500 lumens
<b>D5LTW2N2765</b> =Tunable white 2700-6500K, 120V-277V Fifth Light® (DALI T6) Dimming, 0% to 100%, 120-277V, 1000 lumens <b>1D5LTW2N2765</b> =Tunable white 2700-6500K, 120V Fifth Light® (DALI T6) Dimming, 0% to 100%, 1500-3500 lumens <b>2D5LTW2N2765</b> =Tunable white 2700-6500K, 277V Fifth Light® (DALI T6) Dimming, 0% to 100%, 1500-3500 lumens <b>3D5LTW2N2765</b> =Tunable white 2700-6500K, 347V Fifth Light® (DALI T6) Dimming, 0% to 100%, 1000-3500 lumens <b>1 driver:</b> 1000-3500 lumens		Remote driver limited to 1000 lumens, Plug in driver 1000-3500 lumens
<b>D5LTW2N2050</b> =Tunable white 2000-5000K, 120V-277V Fifth Light® (DALI T6) Dimming, 0% to 100%, 120-277V, 1000 lumens <b>1D5LTW2N2050</b> =Tunable white 2000-5000K, 120V Fifth Light® (DALI T6) Dimming, 0% to 100%, 1500-3500 lumens <b>2D5LTW2N2050</b> =Tunable white 2000-5000K, 277V Fifth Light® (DALI T6) Dimming, 0% to 100%, 1500-3500 lumens <b>3D5LTW2N2050</b> =Tunable white 2000-5000K, 347V with step down transformer Fifth Light® (DALI T6) Dimming, 0% to 100%, 1000-3500 lumens <b>1 driver:</b> 1000-3500 lumens		Remote driver limited to 1000 lumens, Plug in driver 1000-3500 lumens

Continued on next page.

Multi-line Order Information

Driver Options	Options <sup>(6)</sup> <sup>(29)</sup> <sup>(30)</sup> <sup>(32)</sup>	
<b>Blank</b> =Integral driver <b>R</b> =Remote driver (order remote driver separately) <sup>(6)</sup> <b>PD</b> =Plug in Driver <sup>(6)</sup>	<b>EMBOD</b> =Bodine® Emergency Module with Remote Test Switch <sup>(10)</sup> <b>EMBOD6ST</b> =Bodine® 6W Self Test Emergency Module with Remote Test Switch <b>EM7</b> =7W Emergency Module with Remote Test Switch <b>EM14</b> =14W Emergency Module with Remote Test Switch <b>EMBOD7ST</b> =Bodine® Self Test Emergency Module <sup>(10)</sup> <b>IEMBOD</b> =Bodine® Emergency Module with Integral Test Switch <sup>(10)</sup> <sup>(22)</sup> <b>IEM7</b> =7W Emergency Module with Integral Test Switch <sup>(22)</sup> <b>IEM14</b> =14W Emergency Module with Integral Test Switch <sup>(22)</sup>	<b>EMV7</b> =7W Low Voltage Emergency Module with Remote Test Switch <sup>(7)</sup> <b>EMV14</b> =14W Low Voltage Emergency Module with Remote Test Switch <sup>(7)</sup> <b>ETRD</b> =Emergency transfer device <sup>(31)</sup> <b>WPST</b> =Factory installed Wavelinx (includes control module, sensor, cable, tilemount and ceiling mount sensor) <sup>(11)</sup> <sup>(13)</sup> <b>WLST</b> =Factory installed WaveLinX LITE Sensor Kit <sup>(11)</sup> <sup>(12)</sup>

SAMPLE ORDER NUMBER: **EU4C10209035**

Power Module	Lumen Levels <sup>(2)</sup>	CRI <sup>(2)</sup>	Color
<b>EU4C</b> =4-inch Universal LED Module	<b>One 98 CRI THRIVE LED for use with one driver</b> <b>0208IC</b> =250, 500 and 800 lumens 98 CRI, IC rated (For use with all drivers, min 500 lumens with DE010 and D5LT, min 800 lumens with DLVP, Lutron and DMX) <b>1025</b> =1000, 1500, 2000 and 2500 lumens, 98 CRI (For use with D010, D010TR, DE010, DMX and Lutron 1000-2500 lumens. DLVP 1000-2000 lumens) <b>3045</b> =3000, 3500, 4000 and 4500 lumens, 98 CRI (For use with D010, D5LT and DE010 3000-4500 lumens, D010TR and DMX 3000 lumens) <sup>(3)</sup>  <b>Two 98 CRI THRIVE LED for use with two drivers</b> <b>30452</b> =3000, 3500, 4000 and 4500 lumens, 98 CRI (For use with Lutron 3000-4500 lumens, D010TR and DMX 3500-4500 lumens) <sup>(3)</sup> <b>5060</b> =5000, 6000 lumens, 98 CRI (For use with D010, DE010 and D5LT 5000-6000 lumens, D010TR and DMX 5000-6000 lumens, Lutron 5000 lumens) <sup>(3)</sup>	98=98CRI Minimum	<b>98 CRI</b> <b>27</b> =2700K <b>30</b> =3000K <b>35</b> =3500K <b>40</b> =4000K <b>50</b> =5000K
	<b>Dim 2 Warm</b> <b>08259030D2W</b> =800-2500 lumen, 90 CRI, Dim 2 Warm (1 driver and 1 LED) <sup>(33)</sup> <b>35459030D2W</b> =3500-4500 lumen, 90 CRI, Dim 2 Warm (2 drivers and LEDs)		
	<b>Tunable white</b> <b>1030W2N902765</b> =1000, 1500, 2000, 2500, 3000 lumens, 90 CRI, tunable white 2700K-6500K <sup>(34)</sup> <b>1030W2N902050</b> =1000, 1500, 2000, 2500, 3000 lumens, 90 CRI, tunable white 2000K-5000K <sup>(34)</sup> <b>35W2N902765</b> =3500 lumens, 90 CRI, tunable white 2700K-6500K <sup>(3)</sup> <b>35W2N902050</b> =3500 lumens, 90 CRI, tunable white 2000K-5000K <sup>(3)</sup>		

SAMPLE ORDER NUMBER: **4LBSQ2H**

Trim	Reflector	Flange	Finish	Options
<b>4LB</b> =4" LED	<b>SQ</b> =Square Anodized Aluminum <b>SQW</b> =Square Wide Anodized Aluminum <b>CSSQ</b> =Cast Shallow Square, Die Cast Aluminum <sup>(17)</sup> <b>PSSQ</b> =Plastic Shallow Non-Conductive <sup>(16)</sup> <sup>(17)</sup>  <b>Wall Wash</b> <b>SQLWW</b> =Square Anodized Aluminum Lensed Wall Wash	<b>0</b> =White polymer trim ring <b>1</b> =Self flanged <sup>(18)</sup> <b>2</b> =White painted self flanged <b>4</b> =Knife edge rimless use with die cast only <sup>(19)</sup>	<b>LI</b> =Specular Clear <sup>(20)</sup> <b>H</b> =Semi-Specular Clear <sup>(20)</sup> <b>WMH</b> =Warm Haze <sup>(20)</sup> <b>WH</b> =Wheat <sup>(20)</sup> <b>GPH</b> =Graphite Haze <sup>(20)</sup> <b>B</b> =Specular Black <sup>(20)</sup> <b>MW</b> =Matte White <b>MB</b> =Matte Black <sup>(21)</sup> <b>MMS</b> =Matte Metallic Silver <sup>(21)</sup>	<b>E</b> =Integral Emergency Test Switch Hole <sup>(23)</sup>

**REQUIRED if Remote Driver (R) is specified**

SAMPLE ORDER NUMBER: **RC10010D010TREM7**

Remote Drivers <sup>(6)</sup>	Lumens <sup>(2)</sup> <sup>(14)</sup>	Color Control
<b>RC100</b> =Remote 100ft <b>RC75</b> =Remote 75ft <b>RC50</b> =Remote 50ft <b>RC25</b> =Remote 25ft <b>RC15</b> =Remote 15ft <b>RC5</b> =Remote 5ft <b>RC2</b> =Remote 2ft	<b>02</b> =250 lumens <b>05</b> =500 lumens <b>08</b> =800 lumens <b>10</b> =1000 lumens <b>15</b> =1500 lumens  <b>20</b> =2000 lumens <b>25</b> =2500 lumens <b>30</b> =3000 lumens <b>35</b> =3500 lumens <b>40</b> =4000 lumens <b>45</b> =4500 lumens	<b>[Blank]</b> =W2N <b>D2W</b> =Dim to warm <b>FS</b> =Full spectrum (Thrive) used with 98 CRI light engine up to 6,000 lumens

Continued on next page.



Multi-line Order Information (continued)

Driver	Specify from Driver column. Information below for reference only.	
	98 CRI	D2W
<b>D010</b> =0-10V Dimming, <1% to 100%, 120V-277V D2W; 800-2500 lumens, 98 CRI; 250-2000 lumens <b>1D010</b> = 0-10V Dimming, <1% to 100%, 120V, 98 CRI; 2500-4500 lumens <b>2D010</b> = 0-10V Dimming, <1% to 100%, 277V, 98 CRI; 2500-4500 lumens <b>3D010</b> = 0-10V Dimming, <1% to 100%, 347V dedicated driver D2W; 800-2500 lumens, 98 CRI; 800-3000 lumens, with step down transformer for 98 CRI 250, 500 and 3500-4500 lumens	250-4,500	800-2,500
<b>D010TR</b> =0-10V (120-277V) or Phase-Cut (120V) dimming, 5-100%, D2W; 800-2500 lumens, 98 CRI; 250-2000 lumens <b>1D010TR</b> = 0-10V or Phase-Cut Dimming, 120V, 98 CRI; 2500-3000 lumens <b>2D010TR</b> = 0-10V Dimming, 277V, 98 CRI; 2500-3000 lumens <b>3D010TR</b> = 0-10V Dimming, 347V with step down transformer, D2W; 800-2500 lumens, 98 CRI; 250-3000 lumens	250-3,000	800-2,500
<b>DE010</b> =0-10V Dimming, 0% to 100%, 120V-277V, D2W; 800-2500 lumens and 98 CRI; 500-2000 lumens <b>1DE010</b> = 0-10V Dimming, 0% to 100%, 120V, 98 CRI; 2500-4500 lumens <b>2DE010</b> = 0-10V Dimming, 0% to 100%, 277V, 98 CRI; 2500-4500 lumens <b>3DE010</b> = 0-10V Dimming, 0% to 100%, 347V with step down transformer, D2W; 800-2500 lumens and 98 CRI; 500-4500 lumens	500-4,500	800-2,500
<b>D5LT</b> =Fifth Light® (DALI T6) Logarithmic Dimming, 0% to 100%, 120V-277V, D2W; 800-2500 lumens, 98 CRI; 500-2000 lumens <b>1D5LT</b> = Fifth Light® (DALI T6) Logarithmic Dimming, 0% to 100%, 120V, 98 CRI; 2500-4500 lumens <b>2D5LT</b> = Fifth Light® (DALI T6) Logarithmic Dimming, 0% to 100%, 277V, 98 CRI; 2500-4500 lumens <b>3D5LT</b> = Fifth Light® (DALI T6) Logarithmic Dimming, 0% to 100%, 347V with step down transformer, D2W; 800-2500 lumens, 98 CRI; 500-4500 lumens	500-4,500	800-2,500
<b>DMX</b> =DMX/RDM Logarithmic Dimming, 0% to 100%, 120V-277V, D2W; 800-2500 lumens and 98 CRI; 800-2000 lumens <sup>(5)</sup> <b>1DMX</b> = DMX/RDM Logarithmic Dimming, 0% to 100%, 120V, 98 CRI; 2500-3000 lumens <sup>(5)</sup> <b>2DMX</b> = DMX/RDM Logarithmic Dimming, 0% to 100%, 277V, 98 CRI; 2500-3000 lumens <sup>(5)</sup> <b>3DMX</b> = DMX/RDM Logarithmic Dimming, 0% to 100%, 347V with step down transformer, D2W; 800-2500 lumens and 98 CRI; 800-3000 lumens <sup>(5)</sup>	800-3,000	800-2,500
<b>DMXC5</b> =DMX/RDM Logarithmic Dimming, 0% to 100%, 120V-277V, RJ45 connection, D2W; 800-2500 lumens and 98 CRI; 800-2000 lumens <sup>(5)</sup> <b>1DMXC5</b> = DMX/RDM Logarithmic Dimming, 0% to 100%, 120V, RJ45 connection, 98 CRI; 2500-3000 lumens <sup>(5)</sup> <b>2DMXC5</b> = DMX/RDM Logarithmic Dimming, 0% to 100%, 277V, RJ45 connection, 98 CRI; 2500-3000 lumens <sup>(5)</sup> <b>3DMXC5</b> = DMX/RDM Logarithmic Dimming, 0% to 100%, 347V with step down transformer, RJ45 connection, D2W; 800-2500 lumens and 98 CRI; 800-3000 lumens <sup>(5)</sup>	800-3,000	800-2,500
<b>1DL2</b> = Lutron® Hi-Lume Forward Phase Dimming, 1% to 100%, 120V Only, 25' Max remote length, D2W; 800-2500 lumens and 98 CRI; 800-2500 lumens <b>3DL2</b> = Lutron® Hi-Lume Forward Phase Dimming, 1% to 100%, 347V with step down transformer, 25' Max remote length, D2W; 800-2500 lumens and 98 CRI; 800-2500 lumens	800-2,500	800-2,500
<b>DLE</b> =Lutron Ecosystem dimming 1% to 100%, 120V-277V, 25' Max remote length, D2W; 800-2500 lumens and 98 CRI; 800-2000 lumens <b>1DLE</b> = Lutron Ecosystem dimming 1% to 100%, 120V, 25' Max remote length, 98 CRI; 2500 lumens <b>2DLE</b> = Lutron Ecosystem dimming 1% to 100%, 277V, 25' Max remote length, 98 CRI; 2500 lumens <b>3DLE</b> = Lutron Ecosystem dimming 1% to 100%, 347V with step down transformer, 25' Max remote length, D2W; 800-2500 lumens and 98 CRI; 800-2500 lumens	800-2,500	800-2,500
<b>DLV</b> =Low voltage dimming driver (1-100%) for use with DLVP system, D2W; 800-2500 lumens and 98 CRI; 800-2000 lumens <sup>(6)</sup>	800-2,000	800-2,500
<b>DE010W2N2765</b> =Tunable white 0-10V Dimming, 2700K-6500K, 0% to 100%, 120V-277V, 1000 lumens		
<b>DE010W2N2050</b> =Tunable white 0-10V Dimming, 2700K-6500K, 0% to 100%, 120V-277V, 1000 lumens		
<b>D5LTW2N2765</b> =Tunable white Fifth Light® (DALI T6) Dimming, 0% to 100%, 2700K-6500K, 120V-277V, 1000 lumens		
<b>D5LTW2N2050</b> =Tunable white Fifth Light® (DALI T6) Dimming, 0% to 100%, 2000K-5000K, 120V-277V, 1000 lumens		

Options <sup>(6)</sup> (10) (29) (30) (32)	Controls
<b>EMB0D</b> =Bodine® Emergency Module with Remote Test Switch <sup>(10)</sup> <b>EMB0D6ST</b> =Bodine® 6W Self Test Emergency Module with Remote Test Switch <b>EM7</b> =7W Emergency Module with Remote Test Switch <b>EM14</b> =14W Emergency Module with Remote Test Switch	<b>WPST</b> =Factory installed Wavelinx (includes control module, sensor, cable, tilemount and ceiling mount sensor) <sup>(11) (13)</sup> <b>WLST</b> =Factory installed WaveLinX LITE Sensor Kit <sup>(11) (12)</sup>
<b>EMB0D7ST</b> =Bodine® Self Test Emergency Module with Remote Test Switch <b>EMV7</b> =7W Low Voltage Emergency Module with Remote Test Switch <sup>(7)</sup> <b>EMV14</b> =14W Low Voltage Emergency Module with Remote Test Switch <sup>(7)</sup> <b>ETRD</b> =Emergency transfer device <sup>(11)</sup>	

Accessories (Order separately) <sup>(25)</sup>			
<b>PRR4</b> =Rimless Plaster Ring <sup>(26)</sup> <b>RKP4</b> =Knife Edge plaster Ring <sup>(27)</sup>	<b>TRM4P</b> =White metal trim ring <sup>(28)</sup> <b>LGSKT4IP66</b> =IP66 Gasket Kit <b>DT4RF</b> =4 inch frosted acrylic ring <sup>(28)</sup>	<b>Bar Hangers</b> <b>HB26</b> =C-channel Bar Hanger, 26" Long, Pair <b>HB50</b> =C-channel Bar Hanger, 50" Long, Pair <b>RMB22</b> =Wood Joist Bar Hanger, 22" Long, Pair	<b>Transformers</b> <b>H347</b> =H347 for 98CRI 4000 lumens and below; D2W 4500 lumens and below; W2N 4000 lumens and below <b>H347200</b> =347 to 120V Step Down Transformer, 200VA
<b>RPM4M</b> =Rimless Millwork Ring, Matte White <sup>(26)</sup> <b>RPM4MB</b> =Rimless Millwork Ring, Matte Black <sup>(26)</sup> <b>RKM4M</b> =Knife Edge Millwork Ring, Matte White <sup>(27)</sup> <b>RKM4MB</b> =Knife Edge Millwork Ring, Matte Black <sup>(27)</sup>	<b>Connected Lighting Systems</b> <sup>(6) (11)</sup> <b>WPST</b> =Field installed WaveLinX sensor Kit <sup>(13)</sup> <b>WLST</b> =Field installed WaveLinX LITE Sensor Kit <sup>(12)</sup>		

- Notes:**
- Nominal Lumens will vary depending on selected color, CRI, driver and reflector finish. Reference IES files.
  - Product is marked spacing. [Reference table on page 4 for the spacing details.](#)
  - DMX fixtures default to full on upon loss of DMX signal.
  - Not available with Chicago Plenum.
  - ULUS listed only
  - Offered up to 2500 lumens with D2W and 3500 with W2N  
 - D010, D5LT, DE010 up to 4500 lumens with 98 CRI  
 - D010TR, DMX up to 3000 lumens with 98 CRI  
 - DLE, DL2 up to 2500 lumens with 98 CRI
  - Not available for W2N
  - Refer to system specifications for additional information, features, and benefits. Order either factory installed option or accessory. Use with 0-10V driver.
  - WLST=WaveLinX LITE tilemount sensor kit for daylight dimming, PIR motion sensing, use with D010 only (Refer to WaveLinX LITE system specifications)
  - WPST=WaveLinX wireless sensor kit for daylight dimming, PIR motion sensing, and optional RLTS - Real Time Location Services, use with 0-10V only.
  - IC rated up to 2000 lumens for 98 CRI, 2500 lumens for D2W and 1000 lumens for W2N
  - PS available in self-flanged MW finish only
  - Offered up to 2000 lumens
  - Flange is the same finish as the reflector
  - Requires knife edge ring accessory.
  - Anodized or spun reflectors
  - Die cast only
  - Available with narrow (N), medium (M) and medium 45 degree (MD) Spun Aluminum trims. Required for use with all IEMBOD, IEM7, IEM14, IEMV7 and IEMV14 housings. Not offered with remote driver.
  - Offered with DLVP up to 2000 lumens with 98 CRI.
  - Black or white paint.
  - Accessories sold separately will be separately analyzed under domestic preference requirements. Consult factory for further information.
  - Order trim with polymer trim ring (Consult specification sheet for color ordering information and options).
  - Order die cast trim with flange type 4
  - Order with self flanged trim.
  - If using remote driver order battery and controls with the remote driver.
  - 120V-277V
  - Used to bypass local control during outage. Must be used in conjunction with UL 1008 device (provided by others)
  - Non-IC
  - IC rated for 800 lumens
  - IC rated for 1000 lumens

## Connected Solutions

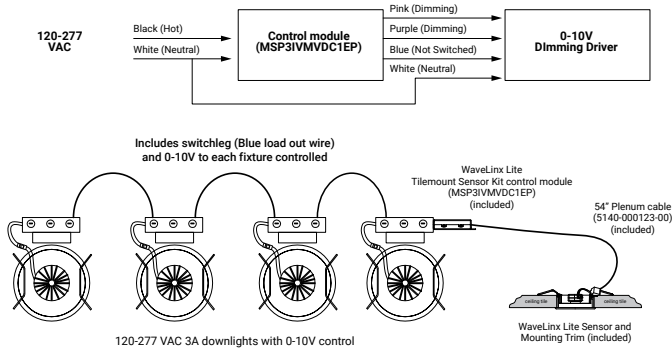
### WaveLinX LITE - WLST Tilemount Sensor



- Intuitive Android™ or Apple® iOS® app for basic system code compliant set up and configuration via Bluetooth
- Up to 28 unique areas per project site (WaveLinX LITE Bluetooth network)
- Up to 50 devices for an area, any one of 16 control zones, up to 6 occupancy sets, and custom lighting scenes
- Automatic occupancy or vacancy, sensor sensitivity, daylight dimming, etc. configurable through the app
- Refer to the WaveLinX system specifications for details



#### WaveLinX LITE WLST Tilemount Wiring Diagram



#### WaveLinX LITE Bluetooth Enabled System



### WaveLinX PRO Wireless – WPST Tilemount Sensor



- WaveLinX PRO Wireless functionality configures zones and customizes settings from one secure mobile app
- Automatic code commissioning that meets the strictest codes
- Fixtures and sensors integrate with Wireless Area Controller, Wall Stations, and Control Devices
- Stand-Along Offices or Entire Building Network Installations

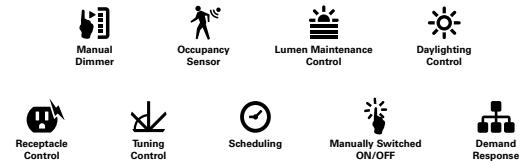
**Downlights with tilemount sensor wireless communication**  
Highly efficient LED fixtures

**WaveLinX Area Controller**  
Provides centralized coordination of multiple area control options

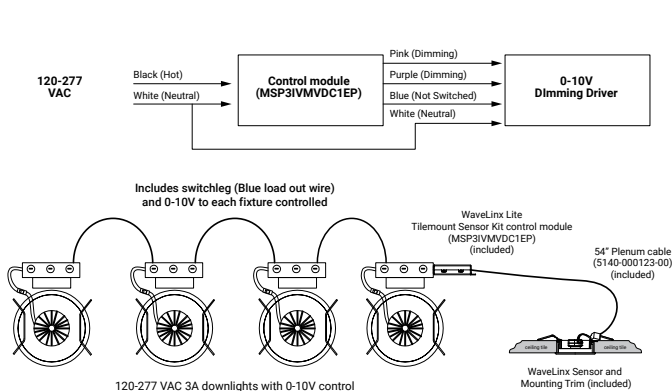
**Wireless Wall Station/Receptacle**  
Provides customized wireless control of each area

**Mobile Applications**  
Provides personalized, local control from a tablet or smartphone

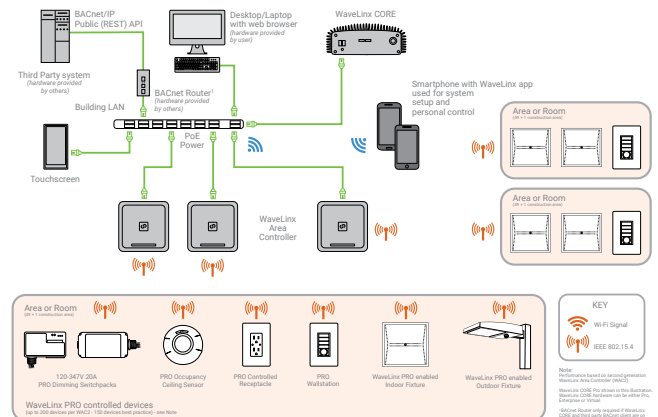
#### WaveLinX mobile app settings



#### WaveLinX PRO WPST Tilemount Wiring Diagram



#### WaveLinX CORE Building Management Integration



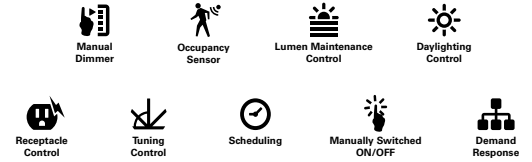
## Connected Solutions

### WaveLinx PRO Wireless Node - WPN

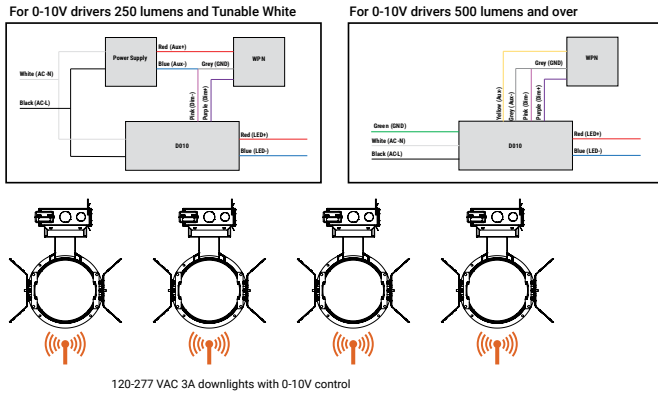
- WaveLinx Wireless functionality configures zones and customizes settings from one secure mobile app
- Automatic code commissioning that meets the strictest codes
- Fixtures and sensors integrate with WaveLinx Area Controller, Wall Stations, and Control Devices
- Stand-Alone Offices or Entire Building Network Installations



#### WaveLinx mobile app settings



#### WaveLinx PRO Wireless Node (WPN) Wiring Diagram



#### WaveLinx CORE Building Management Integration

