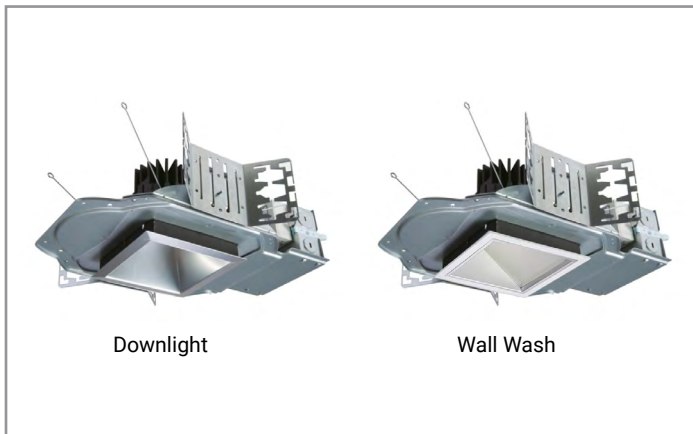


Project		Catalog #		Type	
Prepared by		Notes		Date	



# Portfolio

## LDSQ4C | EU4C | 4LBSQ

4" Square, New Construction Downlight and Wall Wash  
250-7500 Lumens

### Typical Applications

Office • Education • Healthcare • Hospitality • Retail • Code-Compliance Areas • Sports Venues

### Interactive Menu

- Order Information [page 2](#)
- Product Specifications [page 4](#)
- Dimensional & Mounting Details [page 5](#)
- Energy Data [page 6](#)
- Photometric Data [page 7](#)
- Connected System [page 12](#)
- Product Warranty

### Product Certification



### Product Features



### Control Compatibility



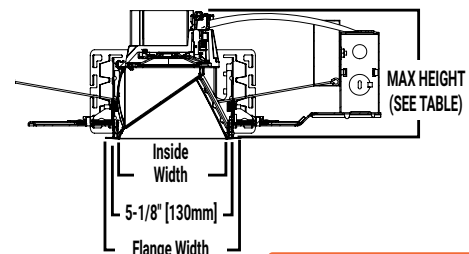
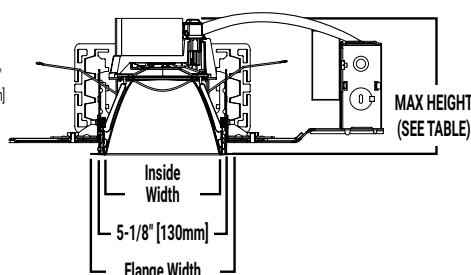
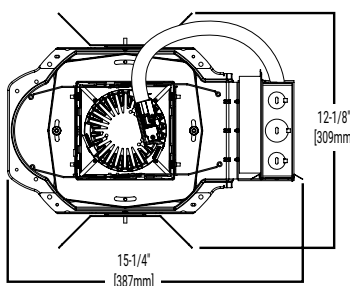
### Top Product Features

- 250-7500 lumens; Offered in 90 and 97 CRI; ENERGY STAR® qualified
- Optional snap in driver for ease of replacement; Die-cast or anodized aluminum reflectors
- Standard 0-10V driver dims to 1%; Easy disconnect for LED engine replacement and installation
- 2400K, 2700K, 3000K, 3500K, 4000K, 5000K; D2W™ option from 3000K to 1850K
- Available W2N tunable white CCT range 2700K to 6500K or 2000K to 5000K

## Dimensional and Mounting Details

DOWNLIGHT

WALL WASH



[CLICK HERE](#)  
dimension information

## Single Line Order Information

SAMPLE ORDER NUMBER: **LDSQ4C109030D010M1H** (all components in multiple packages in same shipment)

Invoice will indicate separate fixture components (housing, trim, module) which will ship complete from a single CLS facility in separate cartons. To receive separate components (housing, trim, module) shipment, click on the "Multi-Line Ordering Information Option" button to the right.

 Multi-line Ordering Information Option

Housing	Lumen <sup>(1)</sup>					Color Control	CCT <sup>(20)</sup>	
<b>LDSQ4C</b> =LED Square Downlight 4" Nominal Aperture <b>LDSQ4CCP</b> =LED Square Downlight 4" Nominal Aperture, Chicago Plenum	<b>02</b> = 250 lumens, IC rated	<b>15</b> = 1500 Lumens	<b>35</b> = 3500 lumens	<b>60</b> = 6000 Lumens <sup>(10)</sup>	<b>90</b> =90 CRI Minimum	<b>90 CRI</b>	<b>97 CRI</b>	
	<b>05</b> = 500 lumens, IC rated	<b>15IC</b> = 1500 Lumens, IC rated	<b>40</b> = 4000 Lumens	<b>65</b> = 6500 Lumens <sup>(10)</sup>	<b>97</b> =97 CRI Minimum	<b>24=2400K</b>	<b>27=2700K</b>	
	<b>08</b> = 800 lumens, IC rated	<b>20</b> = 2000 Lumens	<b>45</b> = 4500 Lumens <sup>(10)</sup>	<b>70</b> = 7000 Lumens <sup>(10)</sup>		<b>30=3000K</b>	<b>30=3000K</b>	
	<b>10</b> = 1000 Lumens	<b>25</b> = 2500 Lumens	<b>50</b> = 5000 Lumens <sup>(10)</sup>	<b>75</b> = 7500 Lumens <sup>(10)</sup>		<b>35=3500K</b>	<b>40=4000K</b>	
	<b>10IC</b> = 1000 Lumens, IC rated	<b>30</b> = 3000 Lumens	<b>55</b> = 5500 Lumens <sup>(10)</sup>			<b>40=4000K</b>	<b>50=5000K</b>	

Driver	Specify from Driver column. Information below for reference only.
	Remote driver & plug in driver
<b>D010</b> =0-10V Dimming, 1% to 100%, 120V-277V up to 7000 lumens (up to 3000 lumens for remote driver) <b>1D010</b> =0-10V Dimming, 1% to 100%, 120V 7500 lumens (3500 to 7000 lumens for remote driver) <b>2D010</b> =0-10V Dimming, 1% to 100%, 277V 7500 lumens (3500 to 7000 lumens for remote driver) <b>3D010</b> =0-10V Dimming, 1% to 100%, 347V dedicated drivers for 800 to 4000 lumens; 250, 500, 4500 and above use step down transformer (250 to 7000 lumens for remote driver)	250-7000
<b>D010TR</b> =0-10V Dimming, 5% to 100%, 120V-277V or 120V line voltage dimming 250- 4500 lumens (up to 3000 lumens for remote driver) <b>1D010TR</b> =0-10V or line voltage Dimming, 5% to 100%, 120V 5000-7500 lumens (3500 to 4500 lumens for remote driver) <b>2D010TR</b> =0-10V Dimming, 5% to 100%, 277V 5000-7500 lumens (3500 to 4500 lumens for remote driver) <b>3D010TR</b> =0-10V or line voltage Dimming, 5% to 100%, 347V step down transformer 250-7500 lumens (250 to 4500 lumens for remote driver)	250-4500
<b>DE010</b> =0-10V Dimming, 0% to 100%, 120V-277V 500-7000 lumens (up to 3000 lumens for remote driver) <b>1DE010</b> =0-10V Dimming, 0% to 100%, 120V 7500 lumens (3500 to 7000 lumens for remote driver) <b>2DE010</b> =0-10V Dimming, 0% to 100%, 277V 7500 lumens (3500 to 7000 lumens for remote driver) <b>3DE010</b> =0-10V Dimming, 0% to 100%, 347V step down transformer, 500-7500 lumens (500 to 7000 lumens for remote driver)	500-7000
<b>DSL</b> =Fifth Light® (DALI T6) Logarithmic Dimming, 0% to 100%, 120V-277V, 500-7000 lumens (up to 3000 lumens for remote driver) <b>1DSL</b> =Fifth Light® (DALI T6) Logarithmic Dimming, 0% to 100%, 120V 7500 lumens (3500 to 7000 lumens for remote driver) <b>2DSL</b> =Fifth Light® (DALI T6) Logarithmic Dimming, 0% to 100%, 277V 7500 lumens (3500 to 7000 lumens for remote driver) <b>3DSL</b> =Fifth Light® (DALI T6) Logarithmic Dimming, 0% to 100% 347V step down transformer, 500-7500 lumens (500 to 7000 lumens for remote driver)	500-7000
<b>DMX</b> =DMX/RDM Logarithmic Dimming, 0% to 100%, 120V-277V 800-4500 lumens (up to 3000 lumens for remote driver) <sup>(14)</sup> <b>1DMX</b> = DMX/RDM Logarithmic Dimming, 0% to 100%, 120V, 5000-7500 lumens (3500 to 4500 lumens for remote driver) <sup>(14)</sup> <b>2DMX</b> =DMX/RDM Logarithmic Dimming, 0% to 100%, 277V, 5000-7500 lumens (3500 to 4500 lumens for remote driver) <sup>(14)</sup> <b>3DMX</b> =DMX/RDM Logarithmic Dimming, 0% to 100%, 347V step down transformer, 800-7500 lumens (800 to 4500 lumens for remote driver) <sup>(14)</sup>	800-4500
<b>DMXC5</b> =DMX/RDM Logarithmic Dimming, 0% to 100%, 120V-277V, 800-4500 lumens, RJ45 Connection (up to 3000 lumens for remote driver) <sup>(14)</sup> <b>1DMXC5</b> =DMX/RDM Logarithmic Dimming, 0% to 100%, 120V, 5000-7500 lumens, RJ45 Connection (3500 to 4500 lumens for remote driver) <sup>(14)</sup> <b>2DMXC5</b> =DMX/RDM Logarithmic Dimming, 0% to 100%, 277V, 5000-7500 lumens, RJ45 Connection (3500 to 4500 lumens for remote driver) <sup>(14)</sup> <b>3DMXC5</b> =DMX/RDM Logarithmic Dimming, 0% to 100%, 347V step down transformer, 800-7500 lumens, RJ45 Connection (800 to 4500 lumens for remote driver) <sup>(14)</sup>	800-4500
<b>LDL2</b> = Lutron® Hi-Lume Forward Phase Dimming, 1% to 100%, 120V Only 800-7500 lumens (800 to 3500 lumens for remote driver) <b>3DL2</b> = Lutron® Hi-Lume Forward Phase Dimming, 1% to 100%, 347V step down transformer, 800-7500 lumens (800 to 3500 lumens for remote driver)	800-3500
<b>DLE</b> =Lutron Ecosystem dimming 1% to 100%, 120V-277V, 800-3500 lumens (up to 3000 lumens for remote driver) <b>1DLE</b> =Lutron Ecosystem dimming 1% to 100%, 120V, 4000-7500 lumens (3500 lumens for remote driver) <b>2DLE</b> =Lutron Ecosystem dimming 1% to 100%, 277V, 4000-7500 lumens (3500 lumens for remote driver) <b>3DLE</b> =Lutron Ecosystem dimming 1% to 100%, 347, step down transformer, 800-7500 lumens (800-3500 lumens for remote driver)	800-3500
<b>DLV</b> = Low voltage dimming driver (1-100%) for use with DLVP system 800-3000 lumens <sup>(3)</sup>	800-3000 (Remote driver only)

Driver Options	Hanger Bars
<b>Blank</b> = Integral driver <b>RC100</b> = Remote 100ft <sup>(3)</sup> <sup>(33)</sup> <b>RC75</b> = Remote 75ft <sup>(3)</sup> <sup>(33)</sup> <b>RC50</b> = Remote 50ft <sup>(3)</sup> <sup>(33)</sup> <b>RC25</b> = Remote 25ft <sup>(3)</sup> <sup>(33)</sup>	<b>Blank</b> = Without hanger bars <b>B26</b> = C-channel Bar Hanger, 26" Long, Pair
<b>RC15</b> = Remote 15ft <sup>(3)</sup> <b>RC5</b> = Remote 5ft <sup>(3)</sup> <b>RC2</b> = Remote 2ft <sup>(3)</sup> <b>PD</b> = Plug in Driver	

Trim Distribution <sup>(5)</sup>	Trim Flange	Trim Finish	Options <sup>(3)</sup> <sup>(13)</sup>
<b>SQ</b> = Medium beam 50° cutoff Anodized Aluminum <b>SQW</b> = Medium beam 45° cutoff Anodized Aluminum <b>CSSQ</b> =Cast Shallow Square, Die Cast Aluminum  <b>Wall Wash</b> <b>SQLWW</b> = Lensed Wall Wash	<b>0</b> =White Polymer Trim Ring <sup>(54)</sup> <b>1</b> =Self-flanged <sup>(13)</sup> <b>2</b> =White Painted Self-flanged <b>4</b> =Knife edge rimless use with die cast only <sup>(22)</sup> <sup>(23)</sup>	<b>LI</b> =Specular Clear <sup>(9)</sup> <b>H</b> =Semi-Specular Clear <sup>(9)</sup> <b>WMH</b> =Warm Haze <sup>(9)</sup> <b>WH</b> =Wheat <sup>(9)</sup> <b>GPH</b> =Graphite Haze <sup>(9)</sup> <b>B</b> =Specular Black <sup>(9)</sup> <b>MW</b> =Matte White (Antimicrobial) <b>MB</b> =Matte Black <sup>(8)</sup> <b>MMS</b> =Matte Metallic Silver <sup>(8)</sup>	<b>EMBOD</b> =Bodine® Emergency Module with Remote Test Switch <sup>(21)</sup> <b>EMBOD6ST</b> =Bodine® 6W Self Test Emergency Module with Remote Test Switch <b>EM7</b> =7W Emergency Module with Remote Test Switch <b>EM14</b> =14W Emergency Module with Remote Test Switch <b>EMBOD7ST</b> =Bodine® Self Test Emergency Module <sup>(21)</sup> <b>IEMBOD</b> =Bodine® Emergency Module with Integral Test Switch <sup>(6)</sup> <sup>(21)</sup> <b>IE7</b> =7W Emergency Module with Integral Test Switch <sup>(6)</sup> <b>IE14</b> =14W Emergency Module with Integral Test Switch <sup>(6)</sup> <b>EMV7</b> =7W Low Voltage Emergency Module with Remote Test Switch <sup>(4)</sup> <b>EMV14</b> =14W Low Voltage Emergency Module with Remote Test Switch <sup>(4)</sup> <b>ETRD</b> =Emergency transfer device <sup>(32)</sup> <b>WPST</b> = Factory installed WaveLinX (includes control module, sensor, cable, tilemount and ceiling mount sensor) <sup>(15)</sup> <sup>(18)</sup> <b>WLST</b> = Factory installed WaveLinX LITE Sensor Kit <sup>(15)</sup> <sup>(17)</sup> <b>WPN</b> = WaveLinX PRO Wireless Node without sensor <sup>(19)</sup>
<b>PSSQMW1</b> =Non-Conductive Shallow, Self Flanged Injection Molded, White <sup>(11)</sup> <sup>(12)</sup>			

Continued on next page.

## Single Line Order Information

### Accessories (Sold separately) <sup>(22)</sup>

**LGSKT4SQIP66**=IP66 Gasket Kit

**PRSQ4**=Rimless Plaster Ring <sup>(2)</sup>

**RKPSQ4**=Knife Edge plaster Ring <sup>(24)</sup>

**RPMSQ4MW**=Rimless Millwork Ring, Matte White <sup>(2)</sup>

**RPMSQ4MB**=Rimless Millwork Ring, Matte Black <sup>(2)</sup>

**RKMSQ4MW**=Knife Edge Millwork Ring, Matte White <sup>(24)</sup>

**RKMSQ4MB**=Knife Edge Millwork Ring, Matte Black <sup>(24)</sup>

#### Bar Hangers

**HB50**=C-channel Bar Hanger, 50" Long, Pair

**RMB22**=Wood Joist Bar Hanger, 22" Long, Pair

#### Connected Lighting Systems <sup>(3)</sup> <sup>(15)</sup>

**WPST** = Field installed WaveLinX sensor Kit <sup>(17)</sup>

**WLST** = Field installed WaveLinX LITE Sensor Kit <sup>(18)</sup>

#### Transformers

**H347**=H347 for 5500 lumens and below

**H347200**=347 to 120V Step Down Transformer, 200VA

#### Notes:

1. Nominal Lumens will vary depending on selected color, CRI, driver and reflector finish. Reference [Multiplier tables](#).
2. Order trim with polymer trim ring (Consult specification sheet for color ordering information and options).
3. Not available with Chicago Plenum.
4. ULus listed only
5. Beam angles are nominal with LI finish trims.
6. Available with SQ and SQW open anodized Aluminum trims. Required for use with all IEMBOD, IEMBOD6ST, IEM7, IEM14, IEMV7 and IEMV14 housings. Not offered with remote driver.
7. Only available with Matte White and Matte Black Finishes.
8. Available only on CS distributions.
9. Not available on PS, CS or BA distributions.
10. Product is marked spacing. [Reference table on page 4.](#)
11. PS available in self-flanged MW finish only.
12. Offered up to 2000 lumens
13. Flange is the same finish as the reflector

14. DMX fixtures default to full on upon loss of DMX signal.
15. Refer to system specifications for additional information, features, and benefits. Order either factory installed option or accessory. Use with 0-10V driver.
16. Non-IC
17. WLST = WaveLinX LITE tilemount sensor kit for daylight dimming, PIR motion sensing, use with D010 only (Refer to WaveLinX LITE system specifications)
18. WPST = WaveLinX wireless sensor kit for daylight dimming, PIR motion sensing, and optional RLTS - Real Time Location Services, use with 0-10V only.
19. WPN = WaveLinX PRO wireless node provides luminaire-level control with scene and zone configuration without an integrated sensor, Connects wirelessly with daylight dimming sensor and PIR motion sensor if desired. Use with 0-10V driver only.
21. Not available for W2N or 6500-7000 lumens with 90 and 97 CRI
22. Accessories sold separately will be separately analyzed under domestic

- preference requirements. Consult factory for further information.
23. Requires knife edge accessory ring
  24. Order die cast trim with flange type 4
  25. Not available with 6500-7000 lumens, DLVP up to 3000 lumens
  26. Offered with
    - D010, D5LT, DE010 up to 7000 lumens
    - D010TR, DMX up to 4500 lumens
    - DL2, DL2 up to 3500 lumens
  29. Order with self flanged trim.
  30. Offered with DLVP up to 3000 lumens
  31. 120V-277V
  32. Used to bypass local control during outage. Must be used in conjunction with UL 1008 device (provided by others)
  33. Not available with Lutron drivers
  34. Not available with CSSQ Cast Shallow Square, Die Cast Aluminum reflector

## Product Specifications

### Lower Shielding Reflector

- Painted die cast aluminum or anodized aluminum lower reflector with medium beam or medium beam 45° cutoff with a lensed upper optical chamber providing superior lumen output with minimal source brightness.
- Anodized reflectors are offered in all Portfolio finishes.
- Reflector is retained with two torsion springs holding the flange tight to the finished ceiling surface.
- Plaster lathing ring, knife edge and millwork ring accessory for flush reflector transition

### Wall Wash Reflector

- Lensed Wall Wash** - Angle cut aluminum lower reflector in combination with spread lens provides even vertical illumination with minimal downlight.

### Trim Retention

- Two torsion springs hold reflector flange tightly to the finished ceiling surface

### Plaster Frame/Collar

- Galvanized steel plaster frame with adjustable collar adjusts for up to 2" thick ceilings and rotates +/- 7.5°.

### Universal Mounting Bracket

- Accepts 1/2" Electric Metallic Tube (EMT), C-channel and bar hangers
- Adjusts 5" vertically from above and below the ceiling

### Junction box

- Four 1/2" and two 3/4" trade size pry outs positioned to allow straight conduit runs
- Lever connectors for simple push in wiring
- Listed for (4) #12 AWG (two in, two out) 90°C conductors and feed thru branch wiring for type IC and Plug in drivers for 120/277V only. For all other cases (8) #12 AWG (four in, four out) 90°C conductors and feed thru branch wiring for 120/277V only

### Thermal

- Aluminum heat sink conducts heat away from the LED module for improved performance and longer life

### LED System

- Contains a plurality of high brightness white LED's combined with a high reflectance upper reflector and convex transitional lens producing even distribution without pixilation
- Auto resetting, thermally protected, LED's are turned off when safe operating temperatures are exceeded
- Quick disconnect allows for tool-less replacement of LED engine from below ceiling
- 90 and 97 CRI

- 90 & 97CRI: L78 55,000 hours for 1000-2000 lumens, L90 55,000 for all other lumen output
- Color variation within 2-step MacAdam ellipses
- Available in 2400K, 2700K, 3000K, 3500K, 4000K and 5000K correlated color temperature (CCT)

### Vividtune and High CRI

- 98 CRI and W2N: L70 55,000 hours
- D2W™ – dim-to-warm shifts CCT from 3000K to 1850K as fixture dims mimicking halogen sources.
- W2N - Tunable white CCT range 2700K to 6500K or 2000K to 5000K, 90 CRI. Standard
- 98 CRI** With a full-spectrum approach using broad-blue chip technology and special phosphor blends, Thrive is able to closely match the spectrum of the sun across all color temperatures. Benefits of the natural spectrum of the sun using Thrive include superior accurate color rendering, reduced eye strain, and a higher sense of emotional well-being.
- See dedicated specification sheet for more details.

### Driver

- Standard 120-277V 0-10V dimming driver provides flicker free dimming from 100% to 1%
- Optional 120V leading edge/0-10V, <1% 0-10V, Fifth Light, DMX or Lutron® Ecosystem
- Driver can be serviced from above or through the aperture
- Distributed low voltage power system combines power, lighting, and controls with ease of installation.
- Optional magnetically guided snap in driver for ease of maintenance.

### Emergency Option

- Provides 90 minutes of standby lighting, meeting most life safety codes for egress lighting
- Available with integral or remote charge indicator and test switch
- Available Self-Test with remote charge indicator and test switch
- Emergency transfer device (ETRD) senses the loss of power regardless of local control settings allowing emergency power to the fixture.
- UL 924 listed

### Connected Lighting System

Two WaveLinx connected solutions to choose from. Refer to WaveLinx system specifications and application guides for details.

#### WaveLinx PRO Tilemount Sensor Kit

- WaveLinx WPST tilemount sensor kit offers daylight dimming, PIR motion sensing, scene and zone configuration, automatic commissioning; and optional RLTS - Real Time Location Services available.

#### WaveLinx PRO Wireless Node

- WaveLinx PRO wireless node provides luminaire-level control with scene and zone configuration without an integrated sensor; Connects wirelessly with daylight dimming sensor and PIR motion sensor if desired. Use with 0-10V driver only.

#### WaveLinx LITE Tilemount Sensor Kit

- WaveLinx LITE WLST tilemount sensor kit offers daylight dimming and PIR motion sensing, scene and grouping configuration.

#### WaveLinx Tilemount Kits Application

- The WPST and WLST tilemount kits include a control module mounted on the luminaire junction box via 1/2" knock-out, and a tilemount sensor on 54-inch whip; for ceiling installation by direct-mount spring clips or via mounting bracket in octagon ceiling boxes.
- The WPST and WLST tilemount kits may be ordered as factory installed on the luminaire, or ordered separately as a field installed accessory kit.

#### Code Compliance

- Thermally protected
- cULus Certified to UL 1598 / C22.2 No. 250.0 suitable for wet locations with downlight; damp location with wall wash and hyperbolic with covered ceiling
- IP66 rated when used with IP66 gasket kit accessory
- Optional City of Chicago environmental air (CCEA) marking for plenum applications
- FCC CFR Title 47 Part 15 Class B at 120VAC and Class A at 277VA
- Insulated ceiling (IC) rated up to 1,500 lumens (90 and 97CRI). All others are non-IC rated (insulation must be kept 3" from top and sides of housing).
- Can be used for State of California Title 24 high efficacy LED compliance under JA8, reference Modernized Appliance Efficiency Database System (MAEDBS) for 2016 JA8 High Efficacy Lighting
- RoHS compliant
- Photometric testing completed in accordance with IES LM-79
- LED life testing completed in accordance with IES LM-80-08 and TM-21-11 standards
- See table on page 3 for marked spacing requirements.

#### Warranty

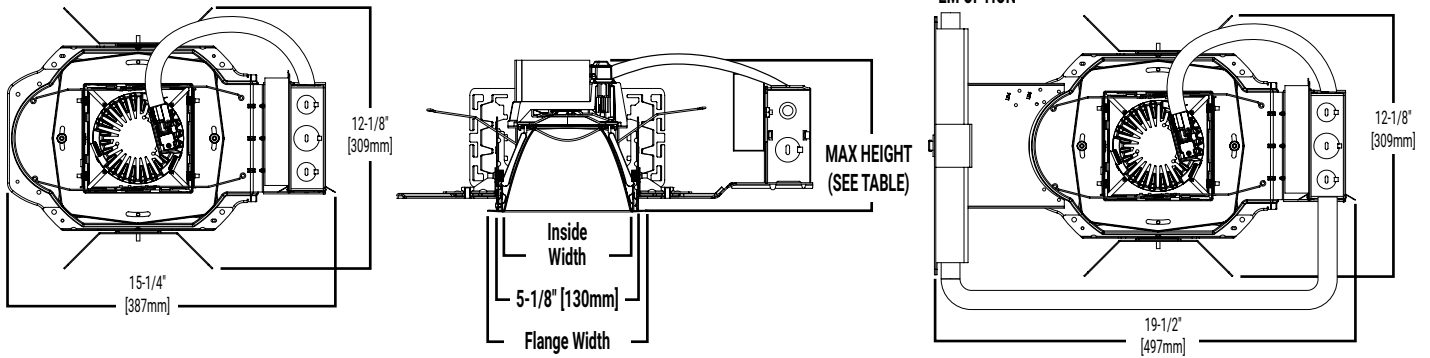
- Five year warranty [www.cooperlighting.com/legal](http://www.cooperlighting.com/legal)

## Marked Spacing

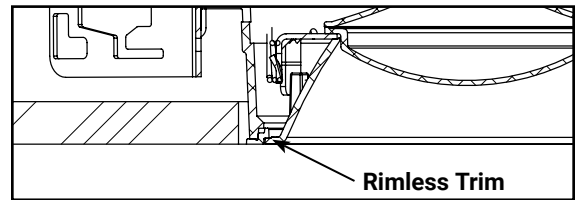
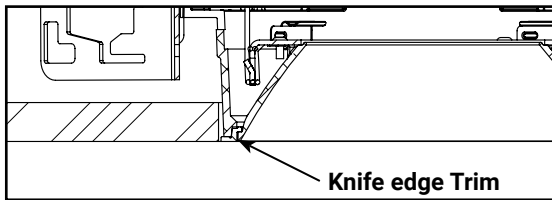
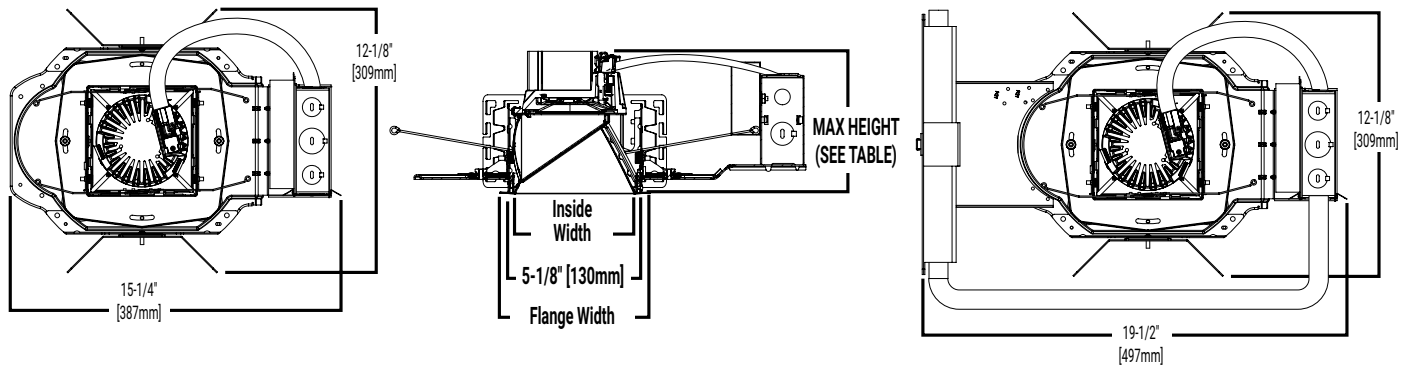
4-inch Marked spacing for 90 and 97 CRI			
4000	36	36	0.5
4000-7500 (Lutron)	36	36	8
4500-7500	36	36	8

## Dimensional and Mounting Details

### DOWNLIGHT



### WALL WASH



CATALOG #	Flange DIAMETER or WIDTH [IN]	INSIDE DIAMETER or WIDTH [IN]	MAX HEIGHT				
			250-2000 LUMENS (90/97CRI)	2500-4000 LUMENS (90/97CRI)	4500-6000 LUMENS (90/97CRI)	1000-1500IC LUMENS (90/97CRI) 6500-7000 LUMENS (90/97CRI)	2 LEDs 4500-7500 LUMENS (90/97CRI)
4LBSQ	5.68	4.48	5.6	5.6	5.8	6.3	8.3
4LBCSSQ	5.66	4.48	5.6	5.6	5.6	5.6	6.4
4LBSQW	5.68	4.1	5.8	6	6.4	6.9	8.9
4LBSQLWW	5.68	4.5	5.6	5.6	5.7	6.2	8.2

## Energy and Performance Data

### D010 DRIVER ENERGY DATA

Series	250 lumen		500 lumen		800 lumen		1000 lumen		1500 lumen		2000 lumen	
Input Voltage 120-277VAC	120V	277V	120V	277V	120V	277V	120V	277V	120V	277V	120V	277V
Input Current (A)	0.029	0.017	0.061	0.032	0.085	0.041	0.084	0.042	0.135	0.063	0.189	0.084
Input Power (W)	3.45	3.87	7.33	7.78	10.15	10.52	10.04	10.43	16.17	16.56	22.58	22.63
In-rush (A)	2.1	8.5	3.7	8.5	3.6	8.3	3.6	8.4	2.3	9.5	2.1	9.7
Inrush duration (µs)	250	131	190	136	220	135	226	136	230	125	243	132
THDi (%)	7.21	16.92	7.82	10.78	5.57	9.63	7.78	9.24	4.75	9.93	8.03	7.44
PF	≥ 0.98	≥ 0.9	≥ 0.99	≥ 0.93	≥ 0.99	≥ 0.95	≥ 0.99	≥ 0.95	≥ 0.99	≥ 0.94	≥ 0.99	≥ 0.96

Series	2500 lumen		3000 lumen		3500 lumen		4000 lumen		4500 lumen		5000 lumen	
Input Voltage 120-277VAC	120V	277V	120V	277V	120V	277V	120V	277V	120V	277V	120V	277V
Input Current (A)	0.276	0.121	0.276	0.121	0.333	0.152	0.404	0.181	0.421	0.192	0.491	0.216
Input Power (W)	32.98	32.57	32	32.57	39.83	39.84	48.38	47.94	50.22	50.17	58.69	58.01
In-rush (A)	2.5	11.8	3.6	11.8	3.1	14.3	3.1	14.5	5.6	22.6	5.6	22.6
Inrush duration (µs)	215	111	220	111	200	94	197	95	215	120	213	135
THDi (%)	9.86	6.57	5.57	6.57	4.25	10.05	5.02	7.97	6.12	8.35	8.51	7.92
PF	≥ 0.99	≥ 0.97	≥ 0.99	≥ 0.99	≥ 0.99	≥ 0.94	≥ 0.99	≥ 0.95	≥ 0.99	≥ 0.95	≥ 0.99	≥ 0.96

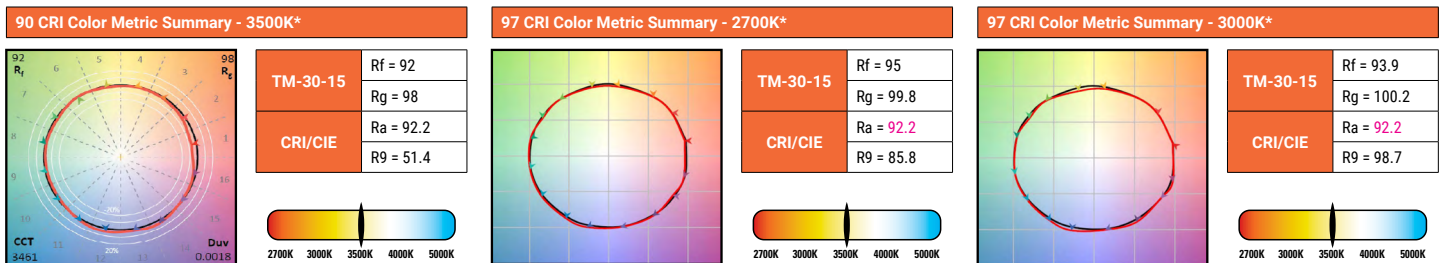
Series	5500 lumen		6000 lumen		6500 lumen		7000 lumen		7500 lumen	
Input Voltage 120-277VAC	120V	277V	120V	277V	120V	277V	120V	277V	120V	277V
Input Current (A)	0.526	0.231	0.542	0.256	0.572	0.266	0.632	0.292	0.668	0.306
Input Power (W)	62.97	61.97	64.88	65.7	68.35	69.02	75.56	75.85	79.89	80.09
In-rush (A)	5.1	23.1	6.2	27.5	6.3	28.4	6.4	29.1	6.4	28.7
Inrush duration (µs)	217	138	188	101	189	92	187	90	185	100
THDi (%)	9.42	7.16	4.33	11.86	4.38	11.33	4.84	10.32	4.46	9.85
PF	≥ 0.99	≥ 0.96	≥ 0.99	≥ 0.93	≥ 0.99	≥ 0.93	≥ 0.99	≥ 0.94	≥ 0.99	≥ 0.94

Minimum starting temperature -30°C (-22°F)\*  
(Nominal input 120-277VAC & 100% of rated output power)

Sound Rating: Class A standards

**Notes:**  
Emergency Battery packs are rated for a minimum starting temperature of 0°C.

### COLOR METRICS - TM-30-15 & CRI/CIE



\* Color values are based on haze reflector, other finishes and field results may vary.

## Photometric Data

[View IES files](#)

NON CONDUCTIVE		CANDLEPOWER DISTRIBUTION				CONE OF LIGHT				CANDELA TABLE		ZONAL LUMEN SUMMARY			LUMINANCE	
Test Number	P571650									Degrees Vertical	Canдела	Zone	Lumens	% Fixture	Average Candela Degrees	Average 0° Luminance
Housing	LDSQ4C15D010									0	720	0-30	545	35.5	37	61218
Module	EU4C10209035	5	705	0-40	876	57	45	55920								
Trim	4LBPSSQMW	15	678	0-60	1425	92.7	55	39886								
Lumens	1537	25	618	0-90	1537	100	65	17740								
Efficacy	97.3 Lm/W	35	526	90-180	0	0	75	746								
SC	1.2	45	410	0-180	1537	100	85	0								
UGR	24.8	55	237													
		65	78													
		75	2													
		85	0													
		90	0													

MEDIUM/WIDE 65° BEAM (H)		CANDLEPOWER DISTRIBUTION				CONE OF LIGHT				CANDELA TABLE		ZONAL LUMEN SUMMARY			LUMINANCE	
Test Number	P571651									Degrees Vertical	Canдела	Zone	Lumens	% Fixture	Average Candela Degrees	Average 0° Luminance
Housing	LDSQ4C15D010									0	1236	0-30	796	63.8	37	46109
Module	EU4C10209035	5	1214	0-40	1084	87	45	19513								
Trim	4LBSQHQ	15	1065	0-60	1233	98.9	55	5703								
Lumens	1247	25	847	0-90	1247	100	65	2146								
Efficacy	78.9 Lm/W	35	463	90-180	0	0	75	708								
SC	0.95	45	143	0-180	1247	100	85	0								
UGR	11.3	55	34													
		65	9													
		75	2													
		85	0													
		90	0													

MEDIUM/WIDE 65° BEAM		CANDLEPOWER DISTRIBUTION				CONE OF LIGHT				CANDELA TABLE		ZONAL LUMEN SUMMARY			LUMINANCE	
Test Number	P571652									Degrees Vertical	Canдела	Zone	Lumens	% Fixture	Average Candela Degrees	Average 0° Luminance
Housing	LDSQ4C15D010									0	1607	0-30	1017	68.5	37	42636
Module	EU4C10209035	5	1583	0-40	1350	91	45	13523								
Trim	4LBSQLI	15	1393	0-60	1477	99.5	55	2406								
Lumens	1484	25	1039	0-90	1484	100	65	936								
Efficacy	93.9 Lm/W	35	449	90-180	0	0	75	373								
SC	0.9	45	99	0-180	1484	100	85	0								
UGR	5.2	55	14													
		65	4													
		75	1													
		85	0													
		90	0													

LENSED WALL WASH (H)		CANDLEPOWER DISTRIBUTION				CONE OF LIGHT				CANDELA TABLE		ZONAL LUMEN SUMMARY			LUMINANCE	
Test Number	P571653									Degrees Vertical	Canдела	Zone	Lumens	% Fixture	Average Candela Degrees	Average 0° Luminance
Housing	LDSQ4C15D010									0	716	0-30	489	47.7	37	46123
Module	EU4C10209035	5	755	0-40	719	70	45	35056								
Trim	4LBSQLWWH	15	746	0-60	965	93.9	55	29187								
Lumens	1027	25	631	0-90	1027	100	65	27055								
Efficacy	65 Lm/W	35	424	90-180	0	0	75	19870								
SC	1	45	257	0-180	1027	100	85	0								
UGR	26.9	55	174													
		65	118													
		75	53													
		85	0													
		90	0													

## Photometric Data

View IES files

LENSED WALL WASH (LI)		CANDLEPOWER DISTRIBUTION				CONE OF LIGHT				CANDELA TABLE		ZONAL LUMEN SUMMARY			LUMINANCE																									
Test Number	P571654	<b>Downlight</b>								<b>Degrees Vertical</b>	<b>Candela</b>	<b>Zone</b>	<b>Lumens</b>	<b>% Fixture</b>	<b>Average Candela Degrees</b>	<b>Average 0° Luminance</b>																								
Housing	LDSQ4C15D010					<table border="1"> <thead> <tr> <th>D</th> <th>FC</th> <th>L</th> <th>W</th> </tr> </thead> <tbody> <tr><td>4'</td><td>57.4</td><td>3.6</td><td>3.8</td></tr> <tr><td>7'</td><td>18.7</td><td>6.5</td><td>6.8</td></tr> <tr><td>9'</td><td>11.3</td><td>8.3</td><td>8.8</td></tr> <tr><td>13'</td><td>5.4</td><td>12</td><td>12.6</td></tr> <tr><td>16'</td><td>3.6</td><td>14.8</td><td>15.6</td></tr> </tbody> </table>				D	FC	L	W	4'	57.4	3.6	3.8	7'	18.7	6.5	6.8	9'	11.3	8.3	8.8	13'	5.4	12	12.6	16'	3.6	14.8	15.6	0	852	0-30	582	47.7	37	54885
D	FC	L	W																																					
4'	57.4	3.6	3.8																																					
7'	18.7	6.5	6.8																																					
9'	11.3	8.3	8.8																																					
13'	5.4	12	12.6																																					
16'	3.6	14.8	15.6																																					
Module	EU4C10209035									5	898	0-40	855	70	45	41701																								
Trim	4LBSQLWWLI									15	887	0-60	1148	93.9	55	34738																								
Lumens	1222									25	751	0-90	1222	100	65	32192																								
Efficacy	77.3 Lm/W									35	505	90-180	0	0	75	23636																								
SC	1									45	306	0-180	1222	100	85	0																								
UGR	27.5									55	206																													
										65	141																													
										75	63																													
										85	0																													
										90	0																													

MEDIUM/WIDE 45° CUTOFF 60° BEAM (H)		CANDLEPOWER DISTRIBUTION				CONE OF LIGHT				CANDELA TABLE		ZONAL LUMEN SUMMARY			LUMINANCE																									
Test Number	P571655	<b>Downlight</b>								<b>Degrees Vertical</b>	<b>Candela</b>	<b>Zone</b>	<b>Lumens</b>	<b>% Fixture</b>	<b>Average Candela Degrees</b>	<b>Average 0° Luminance</b>																								
Housing	LDSQ4C15D010					<table border="1"> <thead> <tr> <th>D</th> <th>FC</th> <th>L</th> <th>W</th> </tr> </thead> <tbody> <tr><td>4'</td><td>61.1</td><td>3.6</td><td>3.6</td></tr> <tr><td>7'</td><td>20</td><td>6.4</td><td>6.4</td></tr> <tr><td>9'</td><td>12.1</td><td>8.2</td><td>8.2</td></tr> <tr><td>13'</td><td>5.8</td><td>12</td><td>12</td></tr> <tr><td>16'</td><td>3.8</td><td>14.8</td><td>14.8</td></tr> </tbody> </table>				D	FC	L	W	4'	61.1	3.6	3.6	7'	20	6.4	6.4	9'	12.1	8.2	8.2	13'	5.8	12	12	16'	3.8	14.8	14.8	0	978	0-30	649	62.7	37	32299
D	FC	L	W																																					
4'	61.1	3.6	3.6																																					
7'	20	6.4	6.4																																					
9'	12.1	8.2	8.2																																					
13'	5.8	12	12																																					
16'	3.8	14.8	14.8																																					
Module	EU4C10209035									5	965	0-40	857	82.8	45	21751																								
Trim	4LBSQWH									15	890	0-60	1012	97.8	55	9656																								
Lumens	1035									25	650	0-90	1035	100	65	4429																								
Efficacy	65.5 Lm/W									35	302	90-180	0	0	75	1939																								
SC	0.93									45	159	0-180	1035	100	85	996																								
UGR	14.9									55	57																													
										65	19																													
										75	5																													
										85	1																													
										90	0																													

MEDIUM/WIDE 45° CUTOFF 55° BEAM (LI)		CANDLEPOWER DISTRIBUTION				CONE OF LIGHT				CANDELA TABLE		ZONAL LUMEN SUMMARY			LUMINANCE																									
Test Number	P571656	<b>Downlight</b>								<b>Degrees Vertical</b>	<b>Candela</b>	<b>Zone</b>	<b>Lumens</b>	<b>% Fixture</b>	<b>Average Candela Degrees</b>	<b>Average 0° Luminance</b>																								
Housing	LDSQ4C15D010					<table border="1"> <thead> <tr> <th>D</th> <th>FC</th> <th>L</th> <th>W</th> </tr> </thead> <tbody> <tr><td>4'</td><td>83.9</td><td>3.6</td><td>3.6</td></tr> <tr><td>7'</td><td>27.4</td><td>6.4</td><td>6.2</td></tr> <tr><td>9'</td><td>16.6</td><td>8.2</td><td>8</td></tr> <tr><td>13'</td><td>7.9</td><td>11.8</td><td>11.8</td></tr> <tr><td>16'</td><td>5.2</td><td>14.6</td><td>14.4</td></tr> </tbody> </table>				D	FC	L	W	4'	83.9	3.6	3.6	7'	27.4	6.4	6.2	9'	16.6	8.2	8	13'	7.9	11.8	11.8	16'	5.2	14.6	14.4	0	1343	0-30	882	73.4	37	32072
D	FC	L	W																																					
4'	83.9	3.6	3.6																																					
7'	27.4	6.4	6.2																																					
9'	16.6	8.2	8																																					
13'	7.9	11.8	11.8																																					
16'	5.2	14.6	14.4																																					
Module	EU4C10209035									5	1339	0-40	1115	92.7	45	11954																								
Trim	4LBSQWLI									15	1240	0-60	1197	99.6	55	1665																								
Lumens	1202									25	866	0-90	1202	100	65	776																								
Efficacy	76.1 Lm/W									35	323	90-180	0	0	75	447																								
SC	0.91									45	88	0-180	1202	100	85	332																								
UGR	3.7									55	10																													
										65	3																													
										75	1																													
										85	0																													
										90	0																													

### Photometric Multipliers (Nominal Lumen Values)

250 Lumen	500 Lumen	800 Lumen	1000 Lumen	1500 Lumen	2000 Lumen	2500 Lumen	3000 Lumen	3500 Lumen
0.22	0.42	0.57	0.65	1.00	1.29	1.62	1.90	2.25

4000 Lumen	4500 Lumen	5000 Lumen	5500 Lumen	6000 Lumen	6500 Lumen	7000 Lumen	7500 Lumen
2.61	3.02	3.42	3.82	4.13	4.32	4.54	5.34

Multipliers for relative lumen values with other series models.

### CCT Multipliers – 90CRI

2400K	2700K	3000K	3500K	4000K	5000K
0.912	0.949	0.986	1	1.001	1.022

Multipliers for relative lumen values with other series color temperatures.

### CCT Multipliers – 97CRI

2700K	3000K	3500K	4000K	5000K
0.889	0.955	1	1.016	1.07

Multipliers for relative lumen values with other series color temperatures.

### Color Finish Multipliers

Finish code	LI	H	WMH	WH	GPH	B	MW
Finish	Specular Clear	Semi-Specular Clear	Warm Haze	Wheat	Graphite Haze	Specular Black	Matte White
Multiplier	1.26	1.0	1.06	1.11	0.83	0.62	1.11

Multipliers for relative lumen values with other color finishes.



## Multi-line Order Information

SAMPLE ORDER NUMBER: **LDSQ4C10D010TRIEM14** (All components may ship separately)

Invoice will indicate separate fixture components (housing, trim, module) and may ship from multiple CLS facilities in separate cartons.



Housing	Lumens <sup>(2)</sup>		
<b>LDSQ4C</b> =LED Square Downlight 4" Nominal Aperture <b>LDSQ4CCP</b> =LED Square Downlight 4" Nominal Aperture, Chicago Plenum	<b>02</b> =250 lumens <b>05</b> =500 lumens <b>08</b> =800 lumens <b>10</b> =1000 lumens <b>15</b> =1500 lumens <b>20</b> =2000 lumens	<b>25</b> =2500 lumens <b>30</b> =3000 lumens <b>35</b> =3500 lumens <b>40</b> =4000 lumens <b>45</b> =4500 lumens <sup>(3)</sup> <b>50</b> =5000 lumens <sup>(3)</sup>	<b>55</b> =5500 lumens <sup>(3)</sup> <b>60</b> =6000 lumens <sup>(3)</sup> <b>65</b> =6500 lumens <sup>(3)</sup> <b>70</b> =7000 lumens <sup>(3)</sup> <b>75</b> =7500 lumens <sup>(3)</sup>

Driver	Driver Options
<b>D010</b> = 0-10V Dimming, 1% to 100%, 120V-277V, up to 7000 lumens (up to 3000 lumens for remote driver) <b>1D010</b> = 0-10V Dimming, 1% to 100%, 120V, 7500 lumens (3500 to 7000 lumens for remote driver) <b>2D010</b> = 0-10V Dimming, 1% to 100%, 277V, 7500 lumens (3500 to 7000 lumens for remote driver) <b>3D010</b> = 0-10V Dimming, 1% to 100%, 347V dedicated drivers for 800 to 4000 lumens; 250, 500, 4500 and above use step down transformer (250 to 7000 lumens for remote driver) <b>1 driver:</b> 250-7000 / <b>2 drivers:</b> 7500	<b>Blank</b> =Integral driver <b>R</b> =Remote driver (offered with single driver, order remote driver separately) <sup>(4)</sup> <b>PD</b> =Plug in Driver (offered with single driver) <sup>(8)</sup>
<b>D010TR</b> = 0-10V Dimming, 5% to 100%, 120V-277V or 120V line voltage dimming, 250- 4500 lumens (up to 3000 lumens for remote driver) <b>1D010TR</b> = 0-10V or line voltage Dimming, 5% to 100%, 120V, 5000-7500 lumens (3500 to 4500 lumens for remote driver) <b>2D010TR</b> = 0-10V Dimming, 5% to 100%, 277V, 5000-7500 lumens (3500 to 4500 lumens for remote driver) <b>3D010TR</b> = 0-10V or line voltage Dimming, 5% to 100%, 347V step down transformer, 250-7500 lumens (250 to 4500 lumens for remote driver) <b>1 driver:</b> 250-4500 / <b>2 drivers:</b> 5000-7500	
<b>DE010</b> = 0-10V Dimming, 0% to 100%, 120V-277V, 500-7000 lumens (up to 3000 lumens for remote driver) <b>1DE010</b> = 0-10V Dimming, 0% to 100%, 120V, 7500 lumens (3500 to 7000 lumens for remote driver) <b>2DE010</b> = 0-10V Dimming, 0% to 100%, 277V, 7500 lumens (3500 to 7000 lumens for remote driver) <b>3DE010</b> = 0-10V Dimming, 0% to 100%, 0-10V Dimming, 347V step down transformer, 500-7500 lumens (500 to 7000 lumens for remote driver) <b>1 driver:</b> 500-7000 / <b>2 drivers:</b> 7500	
<b>DSL T</b> = Fifth Light® (DALI T6) Logarithmic Dimming, 0% to 100%, 120V-277V, 500-7000 lumens (up to 3000 lumens for remote driver) <b>1DSL T</b> = Fifth Light® (DALI T6) Logarithmic Dimming, 0% to 100%, 120V, 7500 lumens (3500 to 7000 lumens for remote driver) <b>2DSL T</b> = Fifth Light® (DALI T6) Logarithmic Dimming, 0% to 100%, 277V, 7500 lumens (3500 to 7000 lumens for remote driver) <b>3DSL T</b> =Fifth Light® (DALI T6) Logarithmic Dimming, 0% to 100% 347V step down transformer, 500-7500 lumens (500 to 7000 lumens for remote driver) <b>1 driver:</b> 500-7000 / <b>2 drivers:</b> 7500	
<b>DMX</b> =DMX/RDM Logarithmic Dimming, 0% to 100%, 120V-277V, 800-4500 lumens (up to 3000 lumens for remote driver) <sup>(5)</sup> <b>1DMX</b> =DMX/RDM Logarithmic Dimming, 0% to 100%, 120V, 5000-7500 lumens (3500 to 4500 lumens for remote driver) <sup>(5)</sup> <b>2DMX</b> =DMX/RDM Logarithmic Dimming, 0% to 100%, 277V, 5000-7500 lumens (3500 to 4500 lumens for remote driver) <sup>(5)</sup> <b>3DMX</b> =DMX/RDM Logarithmic Dimming, 0% to 100%, 347V step down transformer, 800-7500 lumens, RJ45 Connection (800 to 4500 lumens for remote driver) <sup>(5)</sup> <b>1 driver:</b> 800-4500 / <b>2 drivers:</b> 5000-7500	
<b>DMXC5</b> =DMX/RDM Logarithmic Dimming, 0% to 100%, 120V-277V, up to 800-4500 lumens, RJ45 Connection (up to 3000 lumens for remote driver) <sup>(5)</sup> <b>1DMXC5</b> =DMX/RDM Logarithmic Dimming, 0% to 100%, 120V, 5000-7500 lumens, RJ45 Connection (3500 to 4500 lumens for remote driver) <sup>(5)</sup> <b>2DMXC5</b> =DMX/RDM Logarithmic Dimming, 0% to 100%, 277V, 5000-7500 lumens, RJ45 Connection (3500 to 4500 lumens for remote driver) <sup>(5)</sup> <b>3DMXC5</b> =DMX/RDM Logarithmic Dimming, 0% to 100%, 347V step down transformer, 250-7500 lumens, RJ45 Connection (800 to 4500 lumens for remote driver) <sup>(5)</sup> <b>1 driver:</b> 800-4500 / <b>2 drivers:</b> 5000-7500	
<b>1DL2</b> =Lutron® Hi-Lume Forward Phase Dimming, 1% to 100%, 120V Only, 800-7500 lumens (800 to 3500 lumens for remote driver) <b>3DL2</b> = Lutron® Hi-Lume Forward Phase Dimming, 1% to 100%, 347V step down transformer, 800-7500 lumens (800 to 3500 lumens for remote driver) <b>1 driver:</b> 800-3500 / <b>2 drivers:</b> 4000-7500	
<b>DLE</b> =Lutron Ecosystem dimming 1% to 100%, 120V-277V, 800-3500 lumens (up to 3000 lumens for remote driver) <b>1DLE</b> =Lutron Ecosystem dimming 1% to 100%, 120V, 4000-7500 lumens (3500 lumens for remote driver) <b>2DLE</b> =Lutron Ecosystem dimming 1% to 100%, 277V, 4000-7500 lumens (3500 lumens for remote driver) <b>3DLE</b> =Lutron Ecosystem dimming 1% to 100%, 347V, step down transformer, 800-7500 lumens (800-3500 lumens for remote driver) <b>1 driver:</b> 800-3500 / <b>2 drivers:</b> 4000-7500	
<b>DLV</b> =Low voltage dimming driver (1-100%) for use with DLVP system 800-3000 lumens <sup>(6)</sup>	

Options <sup>(6)</sup> <sup>(30)</sup> <sup>(31)</sup> <sup>(33)</sup>	
<b>EMBOD</b> =Bodine® Emergency Module with Remote Test Switch <sup>(10)</sup> <b>EMBOD6ST</b> =Bodine® 6W Self Test Emergency Module with Remote Test Switch <b>EM7</b> =7W Emergency Module with Remote Test Switch <b>EM14</b> =14W Emergency Module with Remote Test Switch <b>EMBOD7ST</b> =Bodine® Self Test Emergency Module <sup>(10)</sup> <b>IEMBOD</b> =Bodine® Emergency Module with Integral Test Switch <sup>(10)</sup> <sup>(22)</sup>	<b>IEM7</b> =7W Emergency Module with Integral Test Switch <sup>(22)</sup> <b>IEM14</b> =14W Emergency Module with Integral Test Switch <sup>(22)</sup> <b>EMV7</b> =7W Low Voltage Emergency Module with Remote Test Switch <sup>(7)</sup> <b>EMV14</b> =14W Low Voltage Emergency Module with Remote Test Switch <sup>(7)</sup> <b>ETRD</b> =Emergency transfer device <sup>(32)</sup> <b>WPST</b> =Factory installed WaveLinX (includes control module, sensor, cable, tilemount and ceiling mount sensor) <sup>(11)</sup> <sup>(13)</sup> <b>WLST</b> =Factory installed WaveLinX LITE Sensor Kit <sup>(11)</sup> <sup>(12)</sup> <b>WPN</b> = WaveLinX PRO Wireless Node without sensor <sup>(23)</sup>

Continued on next page.

## Multi-line Order Information

SAMPLE ORDER NUMBER: **EU4C10209035**

Power Module	Lumen Levels <sup>(2)</sup>	CRI <sup>(2)</sup>	Color	
<b>EU4C</b> =4-inch Universal LED Module	<p><b>For use with one driver</b></p> <p><b>0208IC</b>=250, 500, 800 lumens, IC Rated (for use with all drivers, min 500 lumen with DE010 and D5LT, min 800 lumens with DLVP, Lutron and DMX)</p> <p><b>1020</b>= 1000, 1500, 2000 lumens</p> <p><b>1015IC</b>=1000, 1500 lumens IC Rated</p> <p><b>2540</b>=2500, 3000, 3500, 4000 lumens (For use with Lutron 3000-3500, DLVP 3000 lumens, DMX, D010, D010TR, D5LT and DE010 3000-4000)</p> <p><b>4560</b>=4500, 5000, 5500, 6000 lumens (For use with DMX and D010TR 4500 lumens, D010, D5LT and DE010 4500-6000)<sup>(3)</sup></p> <p><b>6570</b>=6500, 7000 lumens (For use with D010, D5LT and DE010)<sup>(3)</sup></p> <p><b>For use with two drivers</b></p> <p><b>4075</b>=4000, 4500, 5000, 5500, 6000, 6500, 7000, 7500 lumens (For use with Lutron 4000-7500, D010TR &amp; DMX 5000, D010, D5LT &amp; DE010 7500 lumen)<sup>(3)</sup></p>	<p><b>90</b>=90 CRI Minimum</p> <p><b>97</b>=97 CRI Minimum</p>	<p><b>90 CRI</b></p> <p><b>24</b>=2400K</p> <p><b>27</b>=2700K</p> <p><b>30</b>=3000K</p> <p><b>35</b>=3500K</p> <p><b>40</b>=4000K</p> <p><b>50</b>=5000K</p>	<p><b>97 CRI</b></p> <p><b>27</b>=2700K</p> <p><b>30</b>=3000K</p>

SAMPLE ORDER NUMBER: **4LBSQ2H**

Trim	Reflector	Flange	Finish	Options
<b>4LB</b> =4" LED	<p><b>SQ</b>=Square Anodized Aluminum</p> <p><b>SQW</b>=Square Wide Anodized Aluminum</p> <p><b>CSSQ</b>=Cast Shallow Square, Die Cast Aluminum</p> <p><b>PSSQ</b>=Plastic Shallow Non-Conductive<sup>(16) (17)</sup></p> <p><b>Wall Wash</b></p> <p><b>SQLWW</b>=Square Anodized Aluminum Lensed Wall Wash</p>	<p><b>0</b>=White polymer trim ring<sup>(34)</sup></p> <p><b>1</b>=Self flanged<sup>(18)</sup></p> <p><b>2</b>=White painted self flanged</p> <p><b>4</b>=Knife edge rimless use with die cast only<sup>(19)</sup></p>	<p><b>LI</b>=Specular Clear<sup>(20)</sup></p> <p><b>H</b>=Semi-Specular Clear<sup>(20)</sup></p> <p><b>WMH</b>=Warm Haze<sup>(20)</sup></p> <p><b>WH</b>=Wheat<sup>(20)</sup></p> <p><b>GPH</b>=Graphite Haze<sup>(20)</sup></p> <p><b>B</b>=Specular Black<sup>(20)</sup></p> <p><b>MW</b>=Matte White</p> <p><b>MB</b>=Matte Black<sup>(21)</sup></p> <p><b>MMS</b>=Matte Metallic Silver<sup>(21)</sup></p>	<p><b>E</b>=Integral Emergency Test Switch Hole<sup>(22)</sup></p>

### REQUIRED if Remote Driver (R) is specified

SAMPLE ORDER NUMBER: **RC10010D010TREM7**

Domestic Preferences <sup>(1)</sup>	Remote Drivers	Lumens <sup>(2) (14)</sup>		
<p><b>[Blank]</b>=Standard</p> <p><b>BAA</b>=Buy American Act</p> <p><b>TAA</b>=Trade Agreements Act</p>	<p><b>RC100</b>=Remote 100ft</p> <p><b>RC75</b>=Remote 75ft</p> <p><b>RC50</b>=Remote 50ft</p> <p><b>RC25</b>=Remote 25ft</p> <p><b>RC15</b>=Remote 15ft</p> <p><b>RC5</b>=Remote 5ft</p> <p><b>RC2</b>=Remote 2ft</p>	<p><b>02</b>=250 lumens</p> <p><b>05</b>=500 lumens</p> <p><b>08</b>=800 lumens</p> <p><b>10</b>=1000 lumens</p> <p><b>15</b>=1500 lumens</p>	<p><b>20</b>=2000 lumens</p> <p><b>25</b>=2500 lumens</p> <p><b>30</b>=3000 lumens</p> <p><b>35</b>=3500 lumens</p> <p><b>40</b>=4000 lumens</p> <p><b>45</b>=4500 lumens</p>	<p><b>50</b>=5000 lumens</p> <p><b>55</b>=5500 lumens</p> <p><b>60</b>=6000 lumens</p> <p><b>65</b>=6500 lumens</p> <p><b>70</b>=7000 lumens</p>

Continued on next page.

Multi-line Order Information

Driver
<p><b>D010</b> = 0-10V Dimming, 1% to 100%, 120V-277V, 250-3000 lumens  <b>1D010</b> = 0-10V Dimming, 1% to 100%, 120V, 3500-7000 lumens  <b>2D010</b> = 0-10V Dimming, 1% to 100%, 277V, 3500-7000 lumens  <b>3D010</b> = 0-10V Dimming, 1% to 100%, 347V dedicated drivers for 800 to 3000 lumens; 250, 500, 3500-7000 lumens use step down transformer</p>
<p><b>D010TR</b> = 0-10V Dimming, 5% to 100%, 120V-277V or 120V line voltage dimming, 120V-277V, 250- 3000 lumens  <b>1D010TR</b> = 0-10V or line voltage Dimming, 5% to 100%, 120V, 3500-4500 lumens  <b>2D010TR</b> = 0-10V Dimming, 5% to 100%, 277V, 3500-4500 lumens  <b>3D010TR</b> = 0-10V or line voltage Dimming, 5% to 100% 347V step down transformer, 250-4500 lumens</p>
<p><b>DE010</b> = 0-10V Dimming, 0% to 100%, 120V-277V, 500-3000 lumens  <b>1DE010</b> = 0-10V Dimming, 0% to 100%, 120V, 3500-7,000 lumens  <b>2DE010</b> = 0-10V Dimming, 0% to 100%, 277V, 3500-7,000 lumens  <b>3DE010</b> = 0-10V Dimming, 0% to 100%, 347V step down transformer, 500-7,000 lumens</p>
<p><b>D5LT</b> = Fifth Light® (DALI T6) Logarithmic Dimming, 0% to 100%, 120V-277V, 500-3000 lumens  <b>1D5LT</b> = Fifth Light® (DALI T6) Logarithmic Dimming, 0% to 100%, 120V, 3500-7,000 lumens  <b>2D5LT</b> = Fifth Light® (DALI T6) Logarithmic Dimming, 0% to 100%, 277V, 3500-7,000 lumens  <b>3D5LT</b> = Fifth Light® (DALI T6) Logarithmic Dimming, 0% to 100% 347V step down transformer, 500-7,000 lumens</p>
<p><b>DMX</b> = DMX/RDM Logarithmic Dimming, 0% to 100%, 120V-277V, 800-3000 lumens<sup>(5)</sup>  <b>1DMX</b>=DMX/RDM Logarithmic Dimming, 0% to 100%, 120V, 3500-4500<sup>(5)</sup>  <b>2DMX</b>=DMX/RDM Logarithmic Dimming, 0% to 100%, 277V, 3500-4500<sup>(5)</sup>  <b>3DMX</b>=DMX/RDM Logarithmic Dimming, 0% to 100%, 347V step down transformer, 800-4500<sup>(5)</sup></p>
<p><b>DMXC5</b> = DMX/RDM Logarithmic Dimming, 0% to 100%, 120V-277V up to 800-3000 lumens, RJ45 Connection<sup>(5)</sup>  <b>1DMXC5</b>=DMX/RDM Logarithmic Dimming, 0% to 100%, 120V, 3500-4500 lumens, RJ45 Connection<sup>(5)</sup>  <b>2DMXC5</b>=DMX/RDM Logarithmic Dimming, 0% to 100%, 277V, 3500-4500 lumens, RJ45 Connection<sup>(5)</sup>  <b>3DMXC5</b>=DMX/RDM Logarithmic Dimming, 0% to 100%, 347V step down transformer, 800-4500 lumens, RJ45 Connection<sup>(5)</sup></p>
<p><b>1DL2</b>=Lutron® Hi-Lume Forward Phase Dimming, 1% to 100%, 120V Only, 25' Max remote length, 800-3500 lumens  <b>3DL2</b> = Lutron® Hi-Lume Forward Phase Dimming, 1% to 100%, 347V step down transformer, 25' Max remote length, 800-3500 lumens</p>
<p><b>DLE</b> = Lutron Ecosystem dimming 1% to 100%, 120V-277V, 25' Max remote length, 800-3000 lumens  <b>1DLE</b>=Lutron Ecosystem dimming 1% to 100%, 120V, 25' Max remote length, 3500 lumens  <b>2DLE</b>=Lutron Ecosystem dimming 1% to 100%, 277V, 25' Max remote length, 3500 lumens  <b>3DLE</b>=Lutron Ecosystem dimming 1% to 100%, 347V, step down transformer, 25' Max remote length, 800-3500 lumens</p>
<p><b>DLV</b> = Low voltage dimming driver (1-100%) for use with DLVP system, 800-3000 lumens<sup>(6)</sup></p>

Options <sup>(6) (30) (31) (33)</sup>	Controls
<p><b>EMBOD</b>=Bodine® Emergency Module with Remote Test Switch<sup>(10)</sup>  <b>EMBOD6ST</b>=Bodine® 6W Self Test Emergency Module with Remote Test Switch  <b>EM7</b>=7W Emergency Module with Remote Test Switch  <b>EM14</b>=14W Emergency Module with Remote Test Switch</p>	<p><b>WPST</b>=Factory installed Wavelinx (includes control module, sensor, cable, tilemount and ceiling mount sensor)<sup>(11) (13)</sup>  <b>WLST</b>=Factory installed WaveLinX LITE Sensor Kit<sup>(11) (12)</sup>  <b>WPN</b> = WaveLinX PRO Wireless Node without sensor<sup>(23)</sup></p>
<p><b>EMBOD7ST</b>=Bodine® Self Test Emergency Module with Remote Test Switch<sup>(10)</sup>  <b>EMV7</b>=7W Low Voltage Emergency Module with Remote Test Switch<sup>(7)</sup>  <b>EMV14</b>=14W Low Voltage Emergency Module with Remote Test Switch<sup>(7)</sup>  <b>ETRD</b>=Emergency transfer device<sup>(22)</sup></p>	

Accessories (Order separately) <sup>(25)</sup>		
<p><b>LGSKT4SQIP66</b>=IP66 Gasket Kit  <b>PRSQ4</b>=Rimless Plaster Ring<sup>(26)</sup>  <b>RKPSQ4</b>=Knife Edge plaster Ring<sup>(27)</sup>  <b>RPMSQ4MW</b>=Rimless Millwork Ring, Matte White<sup>(26)</sup>  <b>RPMSQ4MB</b>=Rimless Millwork Ring, Matte Black<sup>(26)</sup>  <b>RKMSQ4MW</b>=Knife Edge Millwork Ring, Matte White<sup>(27)</sup>  <b>RKMSQ4MB</b>=Knife Edge Millwork Ring, Matte Black<sup>(27)</sup></p>	<p><b>Bar Hangers</b>  <b>HB26</b>=C-channel Bar Hanger, 26" Long, Pair  <b>HB50</b>=C-channel Bar Hanger, 50" Long, Pair  <b>RMB22</b>=Wood Joist Bar Hanger, 22" Long, Pair  <b>Connected Lighting Systems</b><sup>(6) (11)</sup>  <b>WPST</b> = Field installed WaveLinX sensor Kit<sup>(13)</sup>  <b>WLST</b> = Field installed WaveLinX LITE Sensor Kit<sup>(12)</sup></p>	<p><b>Transformers</b>  <b>H347</b>=H347 for 5500 lumens and below  <b>H347200</b>=347 to 120V Step Down Transformer, 200VA</p>

- Notes:**
- Nominal Lumens will vary depending on selected color, CRI, driver and reflector finish. Reference [Multiplier tables](#).
  - Product is marked spacing. [Reference table on page 4 for the spacing details.](#)
  - DMX fixtures default to full on upon loss of DMX signal.
  - Not available with Chicago Plenum.
  - ULUS listed only
  - Offered with
    - D010, D5LT, DE010 up to 7000 lumens
    - D010TR, DMX up to 4500 lumens
    - DLE, DL2 up to 3500 lumens
  - Not available with 5500 lumens
  - Not available for 6500-7000 lumens
  - Refer to system specifications for additional information, features, and benefits. Order either factory installed option or accessory. Use with 0-10V driver.
  - WLST = WaveLinX LITE tilemount sensor kit for daylight dimming, PIR motion sensing, use with D010 only (Refer to WaveLinX LITE system specifications)
  - WPST = WaveLinX wireless sensor kit for daylight dimming, PIR motion sensing, and optional RLTS - Real Time Location Services, use with 0-10V only.
  - IC rated up to 3000 lumens
  - Spun aluminum only
  - PS available in self-flanged MW finish only
  - Offered up to 2000 lumens
  - Flange is the same finish as the reflector
  - Requires knife edge accessory ring
  - Anodized or spun reflectors
  - Die cast only
  - Available with SQ and SQW open anodized Aluminum trims. Required for use with all IEMBOD, IEMBOD6ST, IEM7, IEM14, IEMV7 and IEMV14 housings. Not offered with remote driver.
  - WPN = WaveLinX PRO wireless node provides luminaire-level control with scene and zone configuration without an integrated sensor; Connects wirelessly with daylight dimming sensor and PIR motion sensor if desired. Use with 0-10V driver only.
  - Black or white paint.
  - Accessories sold separately will be separately analyzed under domestic preference requirements. Consult factory for further information.
  - Order trim with polymer trim ring (Consult specification sheet for color ordering information and options).
  - Order die cast trim with flange type 4
  - Order with self flanged trim.
  - Use only with single LED/driver.
  - If using remote driver order battery and controls with the remote driver.
  - 120V-277V
  - Used to bypass local control during outage. Must be used in conjunction with UL 1008 device (provided by others)
  - Non-IC
  - Not available with CSSQ Cast Shallow Square, Die Cast Aluminum reflector

## Connected Solutions

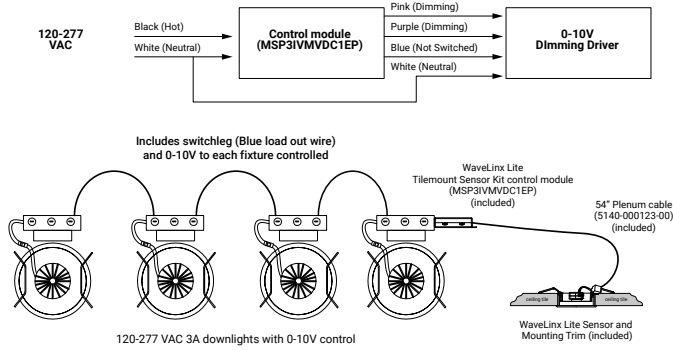
### WaveLinX LITE - WLST Tilemount Sensor



- Intuitive Android™ or Apple® iOS® app for basic system code compliant set up and configuration via Bluetooth
- Up to 28 unique areas per project site (WaveLinX LITE Bluetooth network)
- Up to 50 devices for an area, any one of 16 control zones, up to 6 occupancy sets, and custom lighting scenes
- Automatic occupancy or vacancy, sensor sensitivity, daylight dimming, etc. configurable through the app
- Refer to the WaveLinX system specifications for details



#### WaveLinX LITE WLST Tilemount Wiring Diagram



#### WaveLinX LITE Bluetooth Enabled System



### WaveLinX PRO Wireless – WPST Tilemount Sensor



- WaveLinX PRO Wireless functionality configures zones and customizes settings from one secure mobile app
- Automatic code commissioning that meets the strictest codes
- Fixtures and sensors integrate with Wireless Area Controller, Wall Stations, and Control Devices
- Stand-Along Offices or Entire Building Network Installations

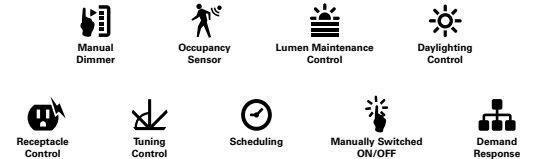
**Downlights with tilemount sensor wireless communication**  
Highly efficient LED fixtures

**WaveLinX Area Controller**  
Provides centralized coordination of multiple area control options

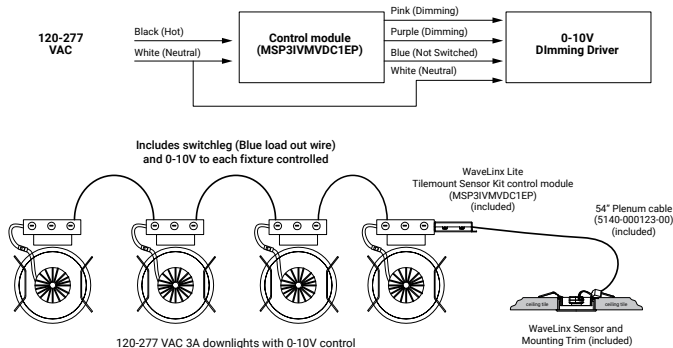
**Wireless Wall Station/Receptacle**  
Provides customized wireless control of each area

**Mobile Applications**  
Provides personalized, local control from a tablet or smartphone

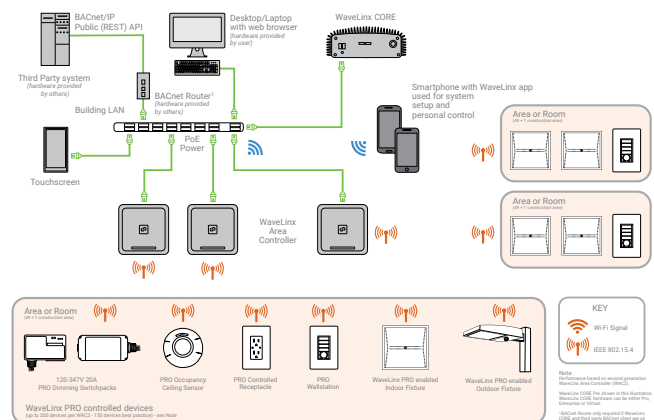
#### WaveLinX mobile app settings



#### WaveLinX PRO WPST Tilemount Wiring Diagram



#### WaveLinX CORE Building Management Integration



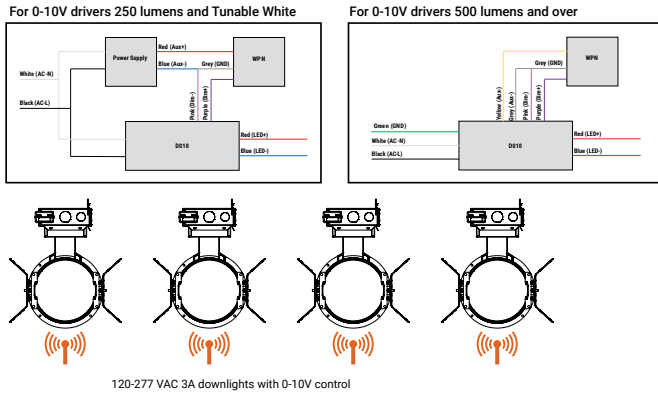
## Connected Solutions

### WaveLinx PRO Wireless Node - WPN

- WaveLinx Wireless functionality configures zones and customizes settings from one secure mobile app
- Automatic code commissioning that meets the strictest codes
- Fixtures and sensors integrate with WaveLinx Area Controller, Wall Stations, and Control Devices
- Stand-Alone Offices or Entire Building Network Installations



### WaveLinx PRO Wireless Node (WPN) Wiring Diagram



### WaveLinx CORE Building Management Integration

