

Project		Catalog #		Type	
Prepared by		Notes		Date	



Portfolio

LDRT4C | EU4C | 4LB

4" Round, Retrofit/Install from Below Downlight
Narrow, Medium or Wide Beam or Wall Wash
98CRI, Tunable white and dim to warm
250-6000 Lumens

Typical Applications

Office • Education • Healthcare • Hospitality • Retail •
Code-Compliance Areas • Sports Venues

Interactive Menu

- Order Information page 2
- Product Specifications page 4
- Energy Data page 6
- Connected System page 10
- Product Warranty

Top Product Features

- 250 to 6000 lumens; ENERGY STAR® qualified
- Remodel, retrofit or international installation; Retrofits existing HID, incandescent or compact fluorescent downlights
- Die-cast or spun aluminum reflectors; Narrow beam, medium beam and wide beam distributions; Optional shallow trim for 2x4 construction
- Standard 0-10V driver dims to 1%; Easy disconnect for LED engine replacement and installation
- 98 CRI; 2400K, 2700K, 3000K, 3500K, 4000K, 5000K; D2W™ option from 3000K to 1850K
- W2N tunable white CCT range 2700K to 6500K or 2000K to 5000K
- Options to meet Trade Agreements Act requirements

Product Certification



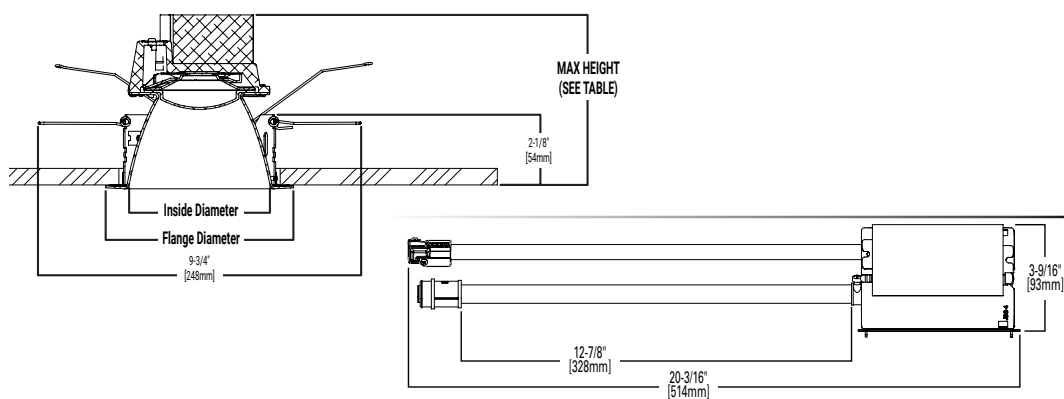
Control Compatibility



Product Features



Dimensional and Mounting Details



[CLICK HERE](#)
dimension information

Single Line Order Information

SAMPLE ORDER NUMBER: **LDRT4C109030D010TRM1HEM7**

Invoice will indicate separate fixture components (housing, trim, module) which will ship complete from a single CLS facility in separate cartons. To receive separate components (housing, trim, module) shipment, click on the "Multi-Line Ordering Information Option" button to the right.

 Multi-line Ordering Information Option

Housing	Lumen ⁽¹⁾		Color Control ⁽¹⁾	CCT ⁽²⁰⁾
LDRT4C =LED Downlight Retrofit 4" Nominal Aperture LDRT4BCP =LED Downlight Retrofit 4" Nominal Aperture, Chicago Plenum For TAA use Multi-line Ordering	02 =250 lumens 05 =500 lumens 08 =800 lumens 10 =1000 Lumens 15 =1500 Lumens 20 =2000 Lumens 25 =2500 lumens	30 =3000 Lumens ⁽¹⁰⁾ 35 =3500 lumens ⁽¹⁰⁾ 40 =4000 Lumens ⁽¹⁰⁾ 45 =4500 Lumens ⁽¹⁰⁾ 50 =5000 Lumens ⁽¹⁰⁾ 60 =6000 Lumens ⁽¹⁰⁾	98 =Full spectrum (Thrive) used with 98 CRI light engine D2W =Dim to warm for 800-2500, 3500-4500 lumens; 90CRI, 3000K W2N2765 =Tunable White for 1000-3500 lumens, 2700K-6500K (D5LT & DE010 drivers only), 90CRI W2N2050 =Tunable White for 1000-3500 lumens, 2000K-5000K (D5LT & DE010 drivers only), 90CRI	98 CRI 27 =2700K 30 =3000K 35 =3500K 40 =4000K 50 =5000K

Driver (Specify from Driver column.)	Information below for reference only.
D010 =0-10V Dimming, 1% to 100%, 120V-277V, D2W =800-2500 lumens / 98 CRI =250-4500 lumens (up to 2000 lumens for remote driver) 1D010 =0-10V Dimming, 1% to 100%, 120V, D2W =3500-4500 lumens / 98 CRI =5000, 6000 lumens (2500 to 4500 lumens for remote driver) 2D010 =0-10V Dimming, 1% to 100%, 277V, D2W =3500-4500 lumens / 98 CRI =5000, 6000 lumens (2500 to 4500 lumens for remote driver) 3D010 =0-10V Dimming, 1% to 100%, 347V dedicated drivers, D2W =800 to 2500 lumens, 3500 and above use step down transformer / 98 CRI =800-3000; 250, 500, 3500 and above use step down transformer (250 to 4500 lumens for remote driver)	Offered 800-2500 with D2W, 250-4500 with 98 CRI
D010TR =0-10V (120-277V) or Phase-Cut (120V) dimming, 5-100%, D2W =800-2500 lumens / 98 CRI =250-3000 lumens (up to 2000 lumens for remote driver) 1D010TR =0-10V or Phase-Cut Dimming, 5% to 100%, 120V, D2W =3500-4500 lumens / 98 CRI =3500-6000 lumens (2500 to 3000 lumens for remote driver) 2D010TR =0-10V Dimming, 5% to 100%, 277V, D2W =3500-4500 lumens / 98 CRI 3500-6000 lumens (2500 to 3000 lumens for remote driver) 3D010TR =0-10V Dimming, 5% to 100% 347V step down transformer, D2W =800-2500 & 3500-4500 lumens / 98 CRI =250-6000 lumens (250 to 3000 lumens for remote driver)	Offered 800-2500 with D2W, 250-3000 with 98 CRI
DE010 =0-10V Dimming, 0% to 100%, 120V-277V, D2W =800-2500 lumens / 98 CRI =500-4500 lumens (up to 2000 lumens for remote driver) / W2N =1000 lumens 1DE010 =0-10V Dimming, 0% to 100%, 120V, D2W =3500-4500 / 98 CRI =5000-6000 lumens (2500 to 4500 lumens for remote driver) / W2N =1500-3500 lumens 2DE010 =0-10V Dimming, 0% to 100%, 277V, D2W =3500-4500 / 98 CRI =5000-6000 lumens (2500 to 4500 lumens for remote driver) / W2N =1500-3500 lumens 3DE010 =0-10V Dimming, 0% to 100%, 347V step down transformer, D2W =800-2500 and 3500-4500 lumens / 98 CRI =500-6000 lumens (500 to 4500 lumens for remote driver) / W2N =1000-3500 lumens	Offered 800-2500 with D2W, 500-4500 with 98 CRI, W2N limited to 1000 lumens with remote driver and 1000-3500 lumens with plug in drivers
D5LT =Fifth Light® (DALI T6) Logarithmic Dimming, 0% to 100%, 120V-277V, D2W =800-2500 lumens / 98 CRI =500-4500 lumens (up to 2000 lumens for remote driver) / W2N =1000 lumens 1D5LT =Fifth Light® (DALI T6) Logarithmic Dimming, 0% to 100%, 120V, D2W =3500-4500 lumens / 98 CRI =5000-6000 lumens (2500 to 4500 lumens for remote driver) / W2N =1500-3500 lumens 2D5LT =Fifth Light® (DALI T6) Logarithmic Dimming, 0% to 100%, 277V, D2W =3500-4500 lumens / 98 CRI =5000-6000 lumens (2500 to 4500 lumens for remote driver) / W2N ; 1500-3500 lumens 3D5LT =Fifth Light® (DALI T6) Logarithmic Dimming, 0% to 100%, 347V step down transformer, D2W =800-2500 & 3500-4500 lumens / 98 CRI ; 500-6000 lumens (500 to 4500 lumens for remote driver) / W2N =1000-3500 lumens	Offered 800-2500 with D2W, 500-4500 with 98 CRI, W2N limited to 1000 lumens with remote driver and 1000-3500 lumens with plug in drivers
DMX =DMX/RDM Logarithmic Dimming, 0% to 100%, 120V-277V, D2W =800-2500 lumens / 98 CRI =800-3000 lumens (up to 2000 lumens for remote driver) ⁽¹⁴⁾ 1DMX =DMX/RDM Logarithmic Dimming, 0% to 100%, 120V, D2W =3500-4500 lumens / 98 CRI =3500-6000 lumens (2500 to 3000 lumens for remote driver) ⁽¹⁴⁾ 2DMX =DMX/RDM Logarithmic Dimming, 0% to 100%, 277V, D2W =3500-4500 lumens / 98 CRI =3500-6000 lumens (2500 to 3000 lumens for remote driver) ⁽¹⁴⁾ 3DMX =DMX/RDM Logarithmic Dimming, 0% to 100%, 347V step down transformer, D2W =800-2500 & 3500-4500 lumens / 98 CRI =800-6000 lumens (800 to 3000 lumens for remote driver) ⁽¹⁴⁾	Offered 800-2500 with D2W, 800-3000 with 98 CRI
DMXC5 =DMX/RDM Logarithmic Dimming, 0% to 100%, 120V-277V, RJ45 Connection, D2W =800-2500 lumens / 98 CRI =800-3000 lumens (up to 2000 lumens for remote driver) ⁽¹⁴⁾ 1DMXC5 =DMX/RDM Logarithmic Dimming, 0% to 100%, 120V, RJ45 Connection, D2W =3500-4500 lumens / 98 CRI =3500-6000 lumens (2500 to 3000 lumens for remote driver) ⁽¹⁴⁾ 2DMXC5 =DMX/RDM Logarithmic Dimming, 0% to 100%, 277V, RJ45 Connection, D2W =3500-4500 lumens / 98 CRI =3500-6000 lumens (2500 to 3000 lumens for remote driver) ⁽¹⁴⁾ 3DMXC5 =DMX/RDM Logarithmic Dimming, 0% to 100%, RJ45 Connection, 347V step down transformer, D2W =800-2500 & 3500-4500 lumens / 98 CRI =800-6000 lumens (800 to 3000 lumens for remote driver) ⁽¹⁴⁾	Offered 800-2500 with D2W, 800-3000 with 98 CRI
1DL2 =Lutron® Hi-Lume Forward Phase Dimming, 1% to 100%, 120V Only, D2W =800-2500 & 3500-4500 lumens / 98 CRI =800-5000 lumens (800 to 2500 lumens for remote driver) 3DL2 =Lutron® Hi-Lume Forward Phase Dimming, 1% to 100%, 347V step down transformer, D2W =800-2500 & 3500-4500 lumens / 98 CRI =800-5000 lumens (800 to 2500 lumens for remote driver)	Offered 800-2500 with D2W and 98 CRI
DLE =Lutron Ecosystem dimming 1% to 100%, 120V-277V, 800-2500 lumens (up to 2000 lumens for remote driver) 1DLE =Lutron Ecosystem dimming 1% to 100%, 120V, D2W =3500-4500 lumens / 98 CRI =3000-5000 lumens (2500 lumens for remote driver) 2DLE =Lutron Ecosystem dimming 1% to 100%, 277V, D2W =3500-4500 lumens / 98 CRI =3000-5000 lumens (2500 lumens for remote driver) 3DLE =Lutron Ecosystem dimming 1% to 100%, 347V with step down transformer, D2W =800-2500 & 3500-4500 lumens / 98 CRI =800-5000 lumens (800 to 2500 lumens for remote driver)	Offered 800-2500 with D2W and 98 CRI
DLV =Low voltage dimming driver (1-100%) for use with DLVP system, D2W =800-2500 lumens / 98 CRI =800-2000 lumens ⁽³⁾	Offered with remote driver only for 800-2500 with D2W and 800-2000 with 98 CRI

Driver Options
Blank =Integral driver RC100 =Remote 100ft ⁽³³⁾ RC75 =Remote 75ft ⁽³³⁾ RC50 =Remote 50ft ⁽³³⁾ RC25 =Remote 25ft ⁽³⁾ RC15 =Remote 15ft ⁽³⁾ RC5 =Remote 5ft ⁽³⁾ RC2 =Remote 2ft ⁽³⁾ PD =Plug in Driver

Continued on next page.

Single Line Order Information

Trim Distribution ⁽⁵⁾	Trim Flange	Trim Finish	Options ⁽³⁾ ⁽¹⁶⁾ ⁽³¹⁾
N =Narrow, Spun Aluminum ⁽²⁶⁾ ⁽³⁰⁾ M =50° Cutoff, Medium Beam Reflector, Spun Aluminum MD =45° Cutoff, Medium Beam Reflector, Spun Aluminum W =Wide, Spun Aluminum S =Shallow, Spun Aluminum PS =Non-Conductive Shallow, Injection Molded white ⁽¹¹⁾ ⁽¹²⁾ CS =Cast Shallow, Die Cast Aluminum BA =Spun Aluminum Baffle ⁽⁷⁾ Wall Wash SWN =Single Wall Wash, Spun Aluminum DWN =Double Wall Wash, Spun Aluminum CW =Corner Wall Wash, Spun Aluminum LSWW =Lensed Single wall wash, Spun Aluminum LDWW =Lensed Double wall wash, Spun Aluminum	0 =White Polymer Trim Ring 1 =Self-flanged ⁽¹³⁾ 2 =White Painted Self-flanged	LI =Specular Clear ⁽⁹⁾ H =Semi-Specular Clear ⁽⁹⁾ WMH =Warm Haze ⁽⁹⁾ WH =Wheat ⁽⁹⁾ GPH =Graphite Haze ⁽⁹⁾ B =Specular Black ⁽⁹⁾ MW =Matte White (Antimicrobial) MB =Matte Black ⁽⁶⁾ MMS =Matte Metallic Silver ⁽⁸⁾	EMBOD =Bodine® Emergency Module with Remote Test Switch ⁽²⁵⁾ EMBOD6ST =Bodine® 6W Self Test Emergency Module with Remote Test Switch EM7 =7W Emergency Module with Remote Test Switch EM14 =14W Emergency Module with Remote Test Switch EMBOD7ST =Bodine® Self Test Emergency Module ⁽²⁵⁾ EMV7 =7W Low Voltage Emergency Module with Remote Test Switch ⁽⁴⁾ EMV14 =14W Low Voltage Emergency Module with Remote Test Switch ⁽⁴⁾ ETRD =Emergency transfer device ⁽³²⁾ WPST =Factory installed Wavelinx (includes control module, sensor, cable, tilemount and ceiling mount sensor) ⁽¹⁵⁾ ⁽¹⁸⁾ WLST =Factory installed Wavelinx LITE Sensor Kit ⁽¹⁵⁾ ⁽¹⁷⁾ WPN = WaveLinX PRO Wireless Node without sensor ⁽²¹⁾

Accessories (Sold separately) ⁽²²⁾

TRMAP=White metal trim ring ⁽²⁾
LGSKT4IP66=IP66 Gasket Kit
DT4RF=4 inch frosted acrylic ring ⁽²⁹⁾

Connected Lighting Systems ⁽⁹⁾ ⁽¹⁵⁾
WPST=Field installed Wavelinx sensor Kit ⁽¹⁷⁾
WLST=Field installed Wavelinx LITE Sensor Kit ⁽¹⁸⁾

Transformers
H347=H347 for 98CRI 4000 lumens and below; D2W 4500 lumens and below; W2N 4000 lumens and below
H347200=347 to 120V Step Down Transformer, 200VA

Notes:

- Nominal Lumens will vary depending on selected color, CRI, driver and reflector finish. Reference IES files.
- Order trim with polymer trim ring (Consult specification sheet for color ordering information and options).
- Not available with Chicago Plenum.
- ULus listed only
- Beam angles are nominal with LI finish trims.
- Only available with Matte White and Matte Black Finishes.
- Available only on CS distributions.
- Not available on PS, CS or BA distributions.
- Product is marked spacing. [Reference table on page 4.](#)
- PS available in self-flanged MW finish only.
- Offered up to 2000 lumens
- Flange is the same finish as the reflector
- DMX fixtures default to full on upon loss of DMX signal.
- Refer to system specifications for additional information, features, and benefits. Order either factory installed option or accessory. Use with 0-10V driver.

- Non-IC
- WLST=Wavelinx LITE tilemount sensor kit for daylight dimming, PIR motion sensing, use with D010 only (Refer to Wavelinx LITE system specifications)
- WPST=Wavelinx wireless sensor kit for daylight dimming, PIR motion sensing, and optional RLTS - Real Time Location Services, use with 0-10V only.
- Only product configurations with these designated prefixes are built to be compliant with the Buy American Act of 1933 (BAA) or Trade Agreements Act of 1979 (TAA), respectively. Please refer to [DOMESTIC PREFERENCES](#) website for more information. Components shipped separately may be separately analyzed under domestic preference requirements. Offered with spun aluminum narrow (N), medium (M), and wide (W) trims.
- Not required for W2N and D2W.
- WPN = Wavelinx PRO wireless node provides luminaire-level control with scene and zone configuration without an integrated sensor; Connects wirelessly with daylight dimming sensor and PIR motion sensor if desired. Use with 0-10V driver only.
- Accessories sold separately will be separately analyzed under domestic preference requirements. Consult factory for further information.

- Accessory (Requires knife edge accessory ring)
- Not available for W2N
- Offered up to 2500 lumens with D2W and 3500 with W2N
 - D010, D5LT, DE010 up to 4500 lumens with 98 CRI
 - D010TR, DMX up to 3000 lumens with 98 CRI
 - DL, DL2 up to 2500 lumens with 98 CRI
- Order with self flanged trim.
- Offered with DLVP up to 2000 lumens with 98 CRI.
- 120V-277V
- Used to bypass local control during outage. Must be used in conjunction with UL 1008 device (provided by others)
- Not available with Lutron drivers

Product Specifications

Lower Shielding Reflector

- Painted die-cast aluminum or spun aluminum lower reflector with lensed upper optical chamber provides superior lumen output with minimal source brightness
- Spun reflectors are available in all Portfolio anodized finishes
- Hyperbolic reflector provides minimal aperture brightness and glare.
- Available with non-conductive polymer reflector up to 2000 lumens
- Decorative frosted acrylic ring provides a light glow in the ceiling

Wall Wash Reflector

- Open Wall Wash** - wall wash reflector with gradient kicker offered in single, double and corner wall wash provides even vertical illumination with minimal source brightness.
- Rotatable Lensed Wall Wash** - Rotatable Lensed wall wash reflector offered in single and double wall wash provides even vertical illumination with minimal source brightness.

Trim Retention

- Two torsion springs hold reflector flange tightly to the finished ceiling surface

Plaster Ring

- Galvanized steel ring installs with 2 mouse trap springs for secure installation and accommodates up to 2 inch ceiling thickness.
- Retrofit - Converts existing HID, incandescent or compact fluorescent downlights to energy saving LED.
- Simple below ceiling installation without removing the existing fixture. Pre-wired flexible conduit with snap in connector installs into 1/2" knockout on the existing junction box.
- LDRT67B includes oversize adapter ring for larger openings

Thermal

- Aluminum heat sink conducts heat away from the LED module for improved performance and longer life

LED System

- Contains a plurality of high brightness white LED's combined with a high reflectance upper reflector and convex transitional lens producing even distribution without pixilation
- Auto resetting, thermally protected, LED's are turned off when safe operating temperatures are exceeded
- Quick disconnect allows for tool-less replacement of LED engine from below ceiling
- 98 CRI and W2N: L70 55,000 hours

- Color variation within 2-step MacAdam ellipses
- Available in 2400K, 2700K, 3000K, 3500K, 4000K and 5000K correlated color temperature (CCT)
- D2W™ – dim-to-warm shifts CCT from 3000K to 1850K as fixture dims mimicking halogen sources.
- W2N - Tunable white CCT range 2700K to 6500K or 2000K to 5000K, 90 CRI. Standard
- 98 CRI** With a full-spectrum approach using broad-blue chip technology and special phosphor blends, Thrive is able to closely match the spectrum of the sun across all color temperatures. Benefits of the natural spectrum of the sun using Thrive include superior accurate color rendering, reduced eye strain, and a higher sense of emotional well-being.

Driver

- Standard 120-277V 0-10V dimming driver provides flicker free dimming from 100% to 1%
- Optional 120V leading edge/0-10V, <1% 0-10V, Fifth Light, DMX or Lutron® Ecosystem
- Driver can be serviced from above or through the aperture
- Distributed low voltage power system combines power, lighting, and controls with ease of installation.
- Optional magnetically guided snap in driver for ease of maintenance.

Emergency Option

- Provides 90 minutes of standby lighting, meeting most life safety codes for egress lighting
- Available Self-Test with remote charge indicator and test switch
- Emergency transfer device (ETRD) senses the loss of power regardless of local control settings allowing emergency power to the fixture.
- UL 924 listed

Connected Lighting System

Two WaveLinX connected solutions to choose from. Refer to WaveLinX system specifications and application guides for details.

WaveLinX PRO Tilemount Sensor Kit

- WaveLinX WPST tilemount sensor kit offers daylight dimming, PIR motion sensing, scene and zone configuration, automatic commissioning; and optional RLTS - Real Time Location Services available.

WaveLinX PRO Wireless Node

- WaveLinX PRO wireless node provides luminaire-level control with scene and zone configuration without an integrated sensor; Connects wirelessly with daylight dimming sensor and PIR motion sensor if desired. Use with 0-10V driver only.

WaveLinX LITE Tilemount Sensor Kit

- WaveLinX LITE WLST tilemount sensor kit offers daylight dimming and PIR motion sensing, scene and grouping configuration.

WaveLinX Tilemount Kits Application

- The WPST and WLST tilemount kits include a control module mounted on the luminaire junction box via 1/2" knock-out, and a tilemount sensor on 54-inch whip; for ceiling installation by direct-mount spring clips or via mounting bracket in octagon ceiling boxes.
- The WPST and WLST tilemount kits may be ordered as factory installed on the luminaire, or ordered separately as a field installed accessory kit.

Code Compliance

- Thermally protected
- cULus Certified to UL 1598 / C22.2 No. 250.0 suitable for wet locations with downlight; damp location with wall wash and hyperbolic with covered ceiling
- IP66 rated when used with IP66 gasket kit accessory
- Optional City of Chicago environmental air (CCEA) marking for plenum applications
- FCC CFR Title 47 Part 15 Class B at 120VAC and Class A at 277VAC
- Insulated ceiling (IC) rated up to 800 lumens (98 CRI & D2W); 1000 lumens (W2N). All others are non-IC rated (insulation must be kept 3" from top and sides of housing).
- Can be used for State of California Title 24 high efficacy LED compliance under JA8, reference Modernized Appliance Efficiency Database System (MAEDBS) for 2016 JA8 High Efficacy Lighting
- RoHS compliant
- Photometric testing completed in accordance with IES LM-79
- LED life testing completed in accordance with IES LM-80-08 and TM-21-11 standards
- See table on page 3 for marked spacing requirements

Warranty

- Five year warranty www.cooperlighting.com/legal

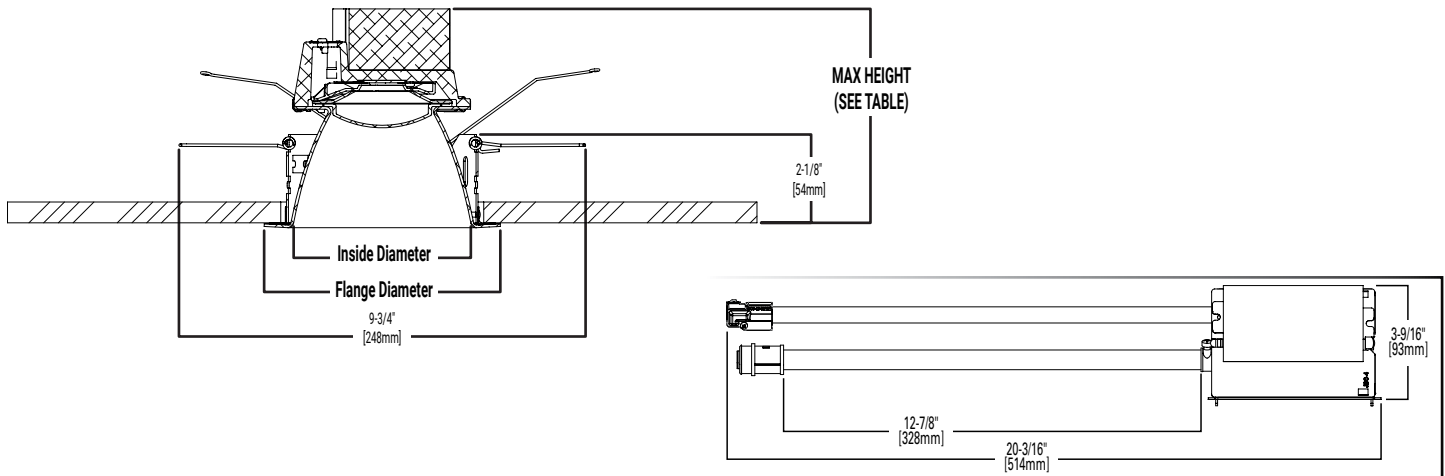
Marked Spacing

4-inch Marked spacing for 98 CRI			
3000-6000	36	36	8

4-inch Marked spacing for D2W			
3500-4500	36	36	8

4-inch Marked spacing for W2N			
3000	36	36	0.5
3500	36	36	8

Dimensional and Mounting Details



CATALOG #	Flange DIAMETER or WIDTH [IN]	INSIDE DIAMETER or WIDTH [IN]	MAX HEIGHT					
			250-2000 LUMENS (90/97CRI)	2500-4000 LUMENS (90/97CRI)	4500-6000 LUMENS (90/97CRI)	1000-1500IC LUMENS (90/97CRI)	2 LEDs	
			250-800 LUMENS (98CRI)	1000-2500 LUMENS (98CRI)		6500-7000 LUMENS (90/97CRI)	4500-7500 LUMENS (90/97CRI)	
			800-2500 LUMENS (D2W)	1000-3000 LUMENS (W2N)	3000-4500 LUMENS (98CRI)	3500 LUMENS (W2N)	5000-6000 LUMENS (98CRI)	3500-4500 LUMENS (D2W)
4LBN	5.67	4.24	5	5.2	5.6	6.1	8.1	
4LBM	5.67	4.26	5	5.2	5.6	6.1	8.1	
4LBW	5.67	4.27	4.6	4.8	5.2	5.7	7.7	
4LBBA	5.67	4.28	5	5.2	5.6	6.1	8.1	
4LBMD	5.67	4.26	5.8	5.9	6.4	6.9	8.9	
4LBHY	5.67	4.34	5	5.2	5.6	6.1	8.1	
4LBS	5.67	4.23	3.5	3.5	3.9	4.4	6.4	
4LBPS	5.67	4.23	3.5	3.6	4	4.5	6.5	
4LBCS	5.67	4.23	3.5	3.6	4	4.5	6.5	
4LBLSWW	5.67	4.27	4.6	4.8	5.2	5.7	7.7	
4LB LDWW	5.67	4.27	4.6	4.8	5.2	5.7	7.7	

Energy and Performance Data

D010 DRIVER ENERGY DATA

Series	250 lumen		500 lumen		800 lumen		1000 lumen		1500 lumen		2000 lumen	
Input Voltage 120-277VAC	120V	277V	120V	277V	120V	277V	120V	277V	120V	277V	120V	277V
Input Current (A)	0.029	0.017	0.061	0.032	0.085	0.041	0.084	0.042	0.135	0.063	0.189	0.084
Input Power (W)	3.45	3.87	7.33	7.78	10.15	10.52	10.04	10.43	16.17	16.56	22.58	22.63
In-rush (A)	2.1	8.5	3.7	8.5	3.6	8.3	3.6	8.4	2.3	9.5	2.1	9.7
Inrush duration (µs)	250	131	190	136	220	135	226	136	230	125	243	132
THDi (%)	7.21	16.92	7.82	10.78	5.57	9.63	7.78	9.24	4.75	9.93	8.03	7.44
PF	≥ 0.98	≥ 0.9	≥ 0.99	≥ 0.93	≥ 0.99	≥ 0.95	≥ 0.99	≥ 0.95	≥ 0.99	≥ 0.94	≥ 0.99	≥ 0.96

Series	2500 lumen		3000 lumen		3500 lumen		4000 lumen		4500 lumen		5000 lumen	
Input Voltage 120-277VAC	120V	277V	120V	277V	120V	277V	120V	277V	120V	277V	120V	277V
Input Current (A)	0.276	0.121	0.276	0.121	0.333	0.152	0.404	0.181	0.421	0.192	0.491	0.216
Input Power (W)	32.98	32.57	32	32.57	39.83	39.84	48.38	47.94	50.22	50.17	58.69	58.01
In-rush (A)	2.5	11.8	3.6	11.8	3.1	14.3	3.1	14.5	5.6	22.6	5.6	22.6
Inrush duration (µs)	215	111	220	111	200	94	197	95	215	120	213	135
THDi (%)	9.86	6.57	5.57	6.57	4.25	10.05	5.02	7.97	6.12	8.35	8.51	7.92
PF	≥ 0.99	≥ 0.97	≥ 0.99	≥ 0.99	≥ 0.99	≥ 0.94	≥ 0.99	≥ 0.95	≥ 0.99	≥ 0.95	≥ 0.99	≥ 0.96

Series	5500 lumen		6000 lumen	
Input Voltage 120-277VAC	120V	277V	120V	277V
Input Current (A)	0.526	0.231	0.542	0.256
Input Power (W)	62.97	61.97	64.88	65.7
In-rush (A)	5.1	23.1	6.2	27.5
Inrush duration (µs)	217	138	188	101
THDi (%)	9.42	7.16	4.33	11.86
PF	≥ 0.99	≥ 0.96	≥ 0.99	≥ 0.93

Minimum starting temperature -30°C (-22°F)*
(Nominal input 120-277VAC & 100% of rated output power)

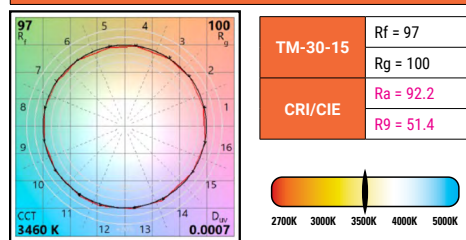
Sound Rating: Class A standards

Notes:

Emergency Battery packs are rated for a minimum starting temperature of 0°C.

COLOR METRICS - TM-30-15 & CRI/CIE

98 CRI Color Metric Summary - 3500K*



* Color values are based on haze reflector, other finishes and field results may vary.

Beam Angles

Trim	Beam Angle
4LBMH	MEDIUM BEAM 50° CUTOFF 65° BEAM (H)
4LBMLI	MEDIUM BEAM 50° CUTOFF 45° BEAM (LI)
4LBNH	NARROW 55° BEAM (H)
4LBNLI	NARROW 30° BEAM (LI)
4LBSH	SHALLOW 85° BEAM (H)
4LBSLI	SHALLOW 65° BEAM (LI)
4LBWH	WIDE 80° BEAM (H)

Trim	Beam Angle
4LBWLI	WIDE 80° BEAM (LI)
4LCSWH	SINGLE WALL WASH (H)
4LCSWLI	SINGLE WALL WASH (LI)
4LBLWWLI	LENSED WALL WASH (LI)
4LBLWWH	LENSED WALL WASH (H)
4LBMDH	MEDIUM BEAM 45° CUTOFF 55° BEAM (H)
4LBMDLI	MEDIUM BEAM 45° CUTOFF 50° BEAM (LI)

Multi-line Order Information

SAMPLE ORDER NUMBER: **LDRT4C10D010TRIEM14**

Invoice will indicate separate fixture components (housing, trim, module) and may ship from multiple CLS facilities in separate cartons.

 **Single line Ordering Information Option**

Domestic Preferences ⁽¹⁾	Housing	Lumens ⁽²⁾				Color Control
[Blank] =Standard TAA =Trade Agreements Act	LDRT4C =LED Downlight 4" Nominal Aperture LDRT4CCP =LED Downlight 4" Nominal Aperture, Chicago Plenum	02 =250 lumens 05 =500 lumens 08 =800 lumens 10 =1000 lumens	15 =1500 lumens 20 =2000 lumens 25 =2500 lumens	30 =3000 lumens ⁽³⁾ 35 =3500 lumens ⁽³⁾ 40 =4000 lumens ⁽³⁾	45 =4500 lumens ⁽³⁾ 50 =5000 lumens ⁽³⁾ 60 =6000 lumens ⁽³⁾	Blank =W2N D2W =Dim to warm FS =Full spectrum (Thrive) used with 98 CRI light engine
<i>Information below for reference only.</i>						
<i>Driver (Specify from Driver column.)</i>						
Remote driver & plug in driver						
<p>D010=0-10V Dimming, 1% to 100%, 120V-277V, D2W=800-2500 lumens / 98 CRI=250-4500 lumens (up to 2000 lumens for remote driver) 1D010=0-10V Dimming, 1% to 100%, 120V, D2W=3500-4500 lumens / 98 CRI=5000-6000 lumens (2500 to 4500 lumens for remote driver) 2D010=0-10V Dimming, 1% to 100%, 277V, D2W=3500-4500 lumens / 98 CRI=5000-6000 lumens (2500 to 4500 lumens for remote driver) 3D010=0-10V Dimming, 1% to 100%, 347V dedicated drivers, D2W=800 to 2500 lumens, 3500 and above use step down transformer and dedicated driver / 98 CRI=800-3000 lumens & 250, 500, 3500 and above use step down transformer (250 to 4500 lumens for remote driver) 1 driver: D2W=800-2500 lumens / 98 CRI=250-4500 lumens; 2 drivers: D2W=3500-4500 lumens / 98 CRI=5000-6000 lumens</p>						
<p>D010TR=0-10V (120-277V) or Phase-Cut (120V) dimming, 5-100%, D2W=800-2500 lumens / 98 CRI=250-3000 lumens (up to 2000 lumens for remote driver) 1D010TR=0-10V or Phase-Cut Dimming, 5% to 100%, 120V, D2W=3500-4500 lumens / 98 CRI=3500-6000 lumens (2500 to 3000 lumens for remote driver) 2D010TR=0-10V Dimming, 5% to 100%, 277V, D2W=3500-4500 lumens / 98 CRI=3500-6000 lumens (2500 to 3000 lumens for remote driver) 3D010TR=0-10V Dimming, 5% to 100% 347V step down transformer, D2W=800-2500 & 3500-4500 lumens / 98 CRI=250-6000 lumens (250 to 3000 lumens for remote driver) 1 driver: D2W=800-2500 lumens / 98 CRI=250-3000 lumens; 2 drivers: D2W=3500-4500 lumens / 98 CRI=3500-6000 lumens</p>						
<p>DE010=0-10V Dimming, 0% to 100%, 120V-277V, D2W=800-2500 lumens / 98 CRI=500-4500 lumens (up to 2000 lumens for remote driver) / W2N=1000 lumens 1DE010=0-10V Dimming, 0% to 100%, 120V, D2W=3500-4500 lumens / 98 CRI=5000-6000 lumens (2500 to 4500 lumens for remote driver) / W2N=1500-3500 lumens 2DE010=0-10V Dimming, 0% to 100%, 277V, D2W=3500-4500 lumens / 98 CRI=5000-6000 lumens (2500 to 4500 lumens for remote driver) / W2N=1500-3500 lumens 3DE010=0-10V Dimming, 0% to 100%, 347V step down transformer, D2W=800-2500 & 3500-4500 lumens / 98 CRI=500-6000 lumens (500 to 4500 lumens for remote driver) / W2N=1000-3500 lumens 1 driver: D2W=800-2500 lumens / 98 CRI=500-4500 lumens; 2 drivers: D2W=3500-4500 lumens / 98 CRI=5000-6000 lumens</p>						
<p>D5LT=Fifth Light® (DALI T6) Logarithmic Dimming, 0% to 100%, 120V-277V, D2W=800-2500 lumens / 98 CRI=500-4500 lumens (up to 2000 lumens for remote driver) / W2N=1000 lumens 1D5LT=Fifth Light® (DALI T6) Logarithmic Dimming, 0% to 100%, 120V, D2W=3500-4500 lumens / 98 CRI=5000-6000 lumens (2500 to 4500 lumens for remote driver) / W2N=1500-3500 lumens 2D5LT=Fifth Light® (DALI T6) Logarithmic Dimming, 0% to 100%, 277V, D2W=3500-4500 lumens / 98 CRI=5000-6000 lumens (2500 to 4500 lumens for remote driver) / W2N=1500-3500 lumens 3D5LT=Fifth Light® (DALI T6) Logarithmic Dimming, 0% to 100%, 347V step down transformer, D2W=800-2500 & 3500-4500 lumens / 98 CRI=500-6000 lumens (500 to 4500 lumens for remote driver) / W2N=1000-3500 lumens 1 driver: D2W=800-2500 lumens / 98 CRI=500-4500 lumens; 2 drivers: D2W=3500-4500 lumens / 98 CRI=5000-6000 lumens</p>						
<p>DMX=DMX/RDM Logarithmic Dimming, 0% to 100%, 120V-277V, D2W=800-2500 lumens / 98 CRI=800-3000 lumens (up to 2000 lumens for remote driver) ⁽⁵⁾ 1DMX=DMX/RDM Logarithmic Dimming, 0% to 100%, 120V, D2W=3500-4500 lumens / 98 CRI=3500-6000 lumens (2500 to 3000 lumens for remote driver) ⁽⁵⁾ 2DMX=DMX/RDM Logarithmic Dimming, 0% to 100%, 277V, D2W=3500-4500 lumens / 98 CRI=3500-6000 lumens (2500 to 3000 lumens for remote driver) ⁽⁵⁾ 3DMX=DMX/RDM Logarithmic Dimming, 0% to 100%, 347V step down transformer, D2W=800-2500 & 3500-4500 lumens / 98 CRI=800-6000 lumens (800 to 3000 lumens for remote driver) ⁽⁵⁾ 1 driver: D2W=800-2500 lumens / 98 CRI=800-3000 lumens; 2 drivers: D2W=3500-4500 lumens / 98 CRI=3500-6000 lumens</p>						
<p>DMXC5=DMX/RDM Logarithmic Dimming, 0% to 100%, 120V-277V, RJ45 Connection, D2W=800-2500 lumens / 98 CRI=800-3000 lumens (up to 2000 lumens for remote driver) ⁽⁵⁾ 1DMXC5=DMX/RDM Logarithmic Dimming, 0% to 100%, 120V, RJ45 Connection, D2W=3500-4500 & 7000 lumens / 98 CRI=3500-6000 lumens (2500 to 3000 lumens for remote driver) ⁽⁵⁾ 2DMXC5=DMX/RDM Logarithmic Dimming, 0% to 100%, 277V, RJ45 Connection, D2W=3500-4500 & 7000 lumens / 98 CRI=3500-6000 lumens (2500 to 3000 lumens for remote driver) ⁽⁵⁾ 3DMXC5=DMX/RDM Logarithmic Dimming, 0% to 100%, 347V step down transformer, RJ45 Connection, D2W=800-2500 & 3500-4500 lumens / 98 CRI=800-6000 lumens (800 to 3000 lumens for remote driver) ⁽⁵⁾ 1 driver: D2W=800-2500 lumens / 98 CRI=800-3000 lumens; 2 drivers: D2W=3500-4500 lumens / 98 CRI=3500-6000 lumens</p>						
<p>1DL2=Lutron® Hi-Lume Forward Phase Dimming, 1% to 100%, 120V, D2W=800-2500 & 3500-4500 lumens / 98 CRI=800-5000 lumens (800 to 2500 lumens for remote driver) 3DL2=Lutron® Hi-Lume Forward Phase Dimming, 1% to 100%, 347V with step down transformer, D2W=800-2500 & 3500-4500 lumens / 98 CRI=800-5000 lumens (800 to 2500 lumens for remote driver) 1 driver: D2W=800-2500 lumens / 98 CRI=800-2500 lumens; 2 drivers: D2W=3500-4500 lumens / 98 CRI=3000-5000 lumens</p>						
<p>DLE=Lutron Ecosystem dimming 1% to 100%, 120V-277V, D2W=800-2500 lumens / 98 CRI=800-2500 lumens (up to 2000 lumens for remote driver) 1DLE=Lutron Ecosystem dimming 1% to 100%, 120V, D2W=3500-4500 lumens / 98 CRI=3000-5000 lumens (2500 lumens for remote driver) 2DLE=Lutron Ecosystem dimming 1% to 100%, 277V, D2W=3500-4500 lumens / 98 CRI=3000-5000 lumens (2500 lumens for remote driver) 3DLE=Lutron Ecosystem dimming 1% to 100%, 347V with step down transformer, D2W=800-2500 & 3500-4500 lumens / 98 CRI=800-5000 lumens (800 to 2500 lumens for remote driver) 1 driver: D2W=800-2500 lumens / 98 CRI=800-2500 lumens; 2 drivers: D2W=3500-4500 lumens / 98 CRI=3000-5000 lumens</p>						
<p>DLV=Low voltage dimming driver (1-100%) for use with DLVP system, D2W=800-2500 lumens / 98 CRI=800-2000 lumens ⁽⁶⁾</p>						
<p>DE010W2N2765=Tunable white 2700-6500K, 0-10V Dimming, 0% to 100%, 120-277V, 1000 lumens 1DE0102765=Tunable white 2700-6500K, 120V, 0-10V Dimming, 0% to 100%, 1500-3500 lumens 2DE0102765=Tunable white 2700-6500K, 120V, 0-10V Dimming, 0% to 100%, 1500-3500 lumens 3DE0102765=Tunable white 2700-6500K, 347V with step down transformer, 0-10V Dimming, 0% to 100%, 1000-3500 lumens 1 driver: 1000-3500 lumens</p>						
<p>DE010W2N2050=Tunable white 2000-5000K, 0-10V Dimming, 0% to 100%, 120-277V, 1000 lumens 1DE0102050=Tunable white 2000-5000K, 120V, 0-10V Dimming, 0% to 100%, 1500-3500 lumens 2DE0102050=Tunable white 2000-5000K, 277V, 0-10V Dimming, 0% to 100%, 1500-3500 lumens 3DE0102050=Tunable white 2000-5000K, 347V with step down transformer, 0-10V Dimming, 0% to 100%, 1000-3500 lumens 1 driver: 1000-3500 lumens</p>						
<p>D5LTW2N2765=Tunable white 2700-6500K, 120V-277V Fifth Light® (DALI T6) Dimming, 0% to 100%, 120-277V, 1000 lumens 1D5LTW2N2765=Tunable white 2700-6500K, 120V Fifth Light® (DALI T6) Dimming, 0% to 100%, 1500-3500 lumens 2D5LTW2N2765=Tunable white 2700-6500K, 277V Fifth Light® (DALI T6) Dimming, 0% to 100%, 1500-3500 lumens 3D5LTW2N2765=Tunable white 2700-6500K, 347V Fifth Light® (DALI T6) Dimming, 0% to 100%, 1000-3500 lumens 1 driver: 1000-3500 lumens</p>						
<p>D5LTW2N2050=Tunable white 2000-5000K, 120V-277V Fifth Light® (DALI T6) Dimming, 0% to 100%, 120-277V, 1000 lumens 1D5LTW2N2050=Tunable white 2000-5000K, 120V Fifth Light® (DALI T6) Dimming, 0% to 100%, 1500-3500 lumens 2D5LTW2N2050=Tunable white 2000-5000K, 277V Fifth Light® (DALI T6) Dimming, 0% to 100%, 1500-3500 lumens 3D5LTW2N2050=Tunable white 2000-5000K, 347V with step down transformer Fifth Light® (DALI T6) Dimming, 0% to 100%, 1000-3500 lumens 1 driver: 1000-3500 lumens</p>						

Continued on next page.

Multi-line Order Information

Driver Options	Options ⁽⁶⁾ ⁽²⁹⁾ ⁽³⁰⁾ ⁽³²⁾	
Blank =Integral driver R =Remote driver (order remote driver separately) ⁽⁶⁾ PD =Plug in Driver ⁽⁶⁾	EMBOD =Bodine® Emergency Module with Remote Test Switch ⁽¹⁰⁾ EMBOD6ST =Bodine® 6W Self Test Emergency Module with Remote Test Switch EM7 =7W Emergency Module with Remote Test Switch EM14 =14W Emergency Module with Remote Test Switch EMBOD7ST =Bodine® Self Test Emergency Module ⁽¹⁰⁾	EMV7 =7W Low Voltage Emergency Module with Remote Test Switch ⁽⁷⁾ EMV14 =14W Low Voltage Emergency Module with Remote Test Switch ⁽⁷⁾ ETRD =Emergency transfer device ⁽³¹⁾ WPST =Factory installed Wavelinx (includes control module, sensor, cable, tilemount and ceiling mount sensor) ⁽¹¹⁾ ⁽¹³⁾ WLST =Factory installed Wavelinx LITE Sensor Kit ⁽¹¹⁾ ⁽¹²⁾ WPN = Wavelinx PRO Wireless Node without sensor ⁽¹⁵⁾

SAMPLE ORDER NUMBER: **EU4C10209035**

Domestic Preferences ⁽¹⁾	Power Module	Lumen Levels ⁽²⁾	CRI ⁽²⁾	Color
[Blank] =Standard TAA =Trade Agreements Act	EU4C =4-inch Universal LED Module	<p>One 98 CRI THRIVE LED for use with one driver</p> <p>02081C=250, 500 and 800 lumens 98 CRI, IC rated (For use with all drivers, min 500 lumens with DE010 and D5LT, min 800 lumens with DLVP, Lutron and DMX)</p> <p>1025=1000, 1500, 2000 and 2500 lumens, 98 CRI (For use with D010, D010TR, DE010, DMX and Lutron 1000-2500 lumens. DLVP 1000-2000 lumens)</p> <p>3045=3000, 3500, 4000 and 4500 lumens, 98 CRI (For use with D010, D5LT and DE010 3000-4500 lumens, D010TR and DMX 3000 lumens) ⁽³⁾</p> <p>Two 98 CRI THRIVE LED for use with two drivers</p> <p>30452=3000, 3500, 4000 and 4500 lumens, 98 CRI (For use with Lutron 3000-4500 lumens, D010TR and DMX 3500-4500 lumens) ⁽³⁾</p> <p>5060=5000, 6000 lumens, 98 CRI (For use with D010, DE010 and D5LT 5000-6000 lumens, D010TR and DMX 5000-6000 lumens, Lutron 5000 lumens) ⁽³⁾</p> <p>Dim 2 Warm</p> <p>08259030D2W=800-2500 lumen, 90 CRI, Dim 2 Warm (1 driver and 1 LED)</p> <p>35459030D2W=3500-4500 lumen, 90 CRI, Dim 2 Warm (2 drivers and LEDs)</p> <p>Tunable white</p> <p>1030W2N902765=1000, 1500, 2000, 2500, 3000 lumens, 90 CRI, tunable white 2700K-6500K</p> <p>1030W2N902050=1000, 1500, 2000, 2500, 3000 lumens, 90 CRI, tunable white 2000K-5000K</p> <p>35W2N902765=3500 lumens, 90 CRI, tunable white 2700K-6500K ⁽³⁾</p> <p>35W2N902050=3500 lumens, 90 CRI, tunable white 2000K-5000K ⁽³⁾</p>	98 =98CRI Minimum	98 CRI 27 =2700K 30 =3000K 35 =3500K 40 =4000K 50 =5000K

SAMPLE ORDER NUMBER: **4LBM2H**

Trim	Reflector	Flange	Finish	
4LB =4" LED	<p>N=Narrow, Spun Aluminum ⁽⁶⁾ ⁽²³⁾</p> <p>M=50° Cutoff, Medium Beam Reflector, Spun Aluminum</p> <p>MD=45° Cutoff, Medium Beam Reflector, Spun Aluminum</p> <p>W=Wide, Spun Aluminum</p> <p>S=Shallow, Spun Aluminum</p> <p>PS=Non-Conductive Shallow, Injection Molded white ⁽¹⁶⁾ ⁽¹⁷⁾</p> <p>CS=Cast Shallow, Die Cast Aluminum</p> <p>BA=Spun Aluminum Baffle ⁽²⁴⁾</p>	<p>Wall Wash</p> <p>SWN=Single wall wash, spun aluminum</p> <p>DWN=Double wall wash, spun aluminum</p> <p>CW=Corner wall wash, spun aluminum</p> <p>LSWW=Lensed single wall wash, spun aluminum</p> <p>LDWW=Lensed double wall wash, spun aluminum</p>	<p>0=White polymer trim ring</p> <p>1=Self flanged ⁽¹⁸⁾</p> <p>2=White painted self flanged</p>	<p>LI=Specular Clear ⁽²⁰⁾</p> <p>H=Semi-Specular Clear ⁽²⁰⁾</p> <p>WMH=Warm Haze ⁽²⁰⁾</p> <p>WH=Wheat ⁽²⁰⁾</p> <p>GPH=Graphite Haze ⁽²⁰⁾</p> <p>B=Specular Black ⁽²⁰⁾</p> <p>MW=Matte White</p> <p>MB=Matte Black ⁽²¹⁾</p> <p>MMS=Matte Metallic Silver ⁽²¹⁾</p>

REQUIRED if Remote Driver (R) is specified

SAMPLE ORDER NUMBER: **RC10010D010TREM7**

Domestic Preferences ⁽¹⁾	Remote Drivers ⁽⁶⁾	Lumens ⁽²⁾ ⁽¹⁴⁾	Color Control
[Blank] =Standard TAA =Trade Agreements Act	<p>RC100=Remote 100ft</p> <p>RC75=Remote 75ft</p> <p>RC50=Remote 50ft</p> <p>RC25=Remote 25ft</p> <p>RC15=Remote 15ft</p> <p>RC5=Remote 5ft</p> <p>RC2=Remote 2ft</p>	<p>02=250 lumens</p> <p>05=500 lumens</p> <p>08=800 lumens</p> <p>10=1000 lumens</p> <p>15=1500 lumens</p> <p>20=2000 lumens</p> <p>25=2500 lumens</p> <p>30=3000 lumens</p> <p>35=3500 lumens</p> <p>40=4000 lumens</p> <p>45=4500 lumens</p>	<p>[Blank]=W2N</p> <p>D2W=Dim to warm</p> <p>FS=Full spectrum (Thrive) used with 98 CRI light engine up to 6,000 lumens</p>

Multi-line Order Information (continued)

Driver	Specify from Driver column. Information below for reference only.	
	98 CRI	D2W
D010 =0-10V Dimming, <1% to 100%, 120V-277V D2W; 800-2500 lumens, 98 CRI; 250-2000 lumens 1D010 = 0-10V Dimming, <1% to 100%, 120V, 98 CRI; 2500-4500 lumens 2D010 = 0-10V Dimming, <1% to 100%, 277V, 98 CRI; 2500-4500 lumens 3D010 = 0-10V Dimming, <1% to 100%, 347V dedicated driver D2W; 800-2500 lumens, 98 CRI; 800-3000 lumens, with step down transformer for 98 CRI 250, 500 and 3500-4500 lumens	250-4,500	800-2,500
D010TR =0-10V (120-277V) or Phase-Cut (120V) dimming, 5-100%, D2W; 800-2500 lumens, 98 CRI; 250-2000 lumens 1D010TR = 0-10V or Phase-Cut Dimming, 120V, 98 CRI; 2500-3000 lumens 2D010TR = 0-10V Dimming, 277V, 98 CRI; 2500-3000 lumens 3D010TR = 0-10V Dimming, 347V with step down transformer, D2W; 800-2500 lumens, 98 CRI; 250-3000 lumens	250-3,000	800-2,500
DE010 =0-10V Dimming, 0% to 100%, 120V-277V, D2W; 800-2500 lumens and 98 CRI; 500-2000 lumens 1DE010 = 0-10V Dimming, 0% to 100%, 120V, 98 CRI; 2500-4500 lumens 2DE010 = 0-10V Dimming, 0% to 100%, 277V, 98 CRI; 2500-4500 lumens 3DE010 = 0-10V Dimming, 0% to 100%, 347V with step down transformer, D2W; 800-2500 lumens and 98 CRI; 500-4500 lumens	500-4,500	800-2,500
D5LT =Fifth Light® (DALI T6) Logarithmic Dimming, 0% to 100%, 120V-277V, D2W; 800-2500 lumens, 98 CRI; 500-2000 lumens 1D5LT = Fifth Light® (DALI T6) Logarithmic Dimming, 0% to 100%, 120V, 98 CRI; 2500-4500 lumens 2D5LT = Fifth Light® (DALI T6) Logarithmic Dimming, 0% to 100%, 277V, 98 CRI; 2500-4500 lumens 3D5LT = Fifth Light® (DALI T6) Logarithmic Dimming, 0% to 100%, 347V with step down transformer, D2W; 800-2500 lumens, 98 CRI; 500-4500 lumens	500-4,500	800-2,500
DMX =DMX/RDM Logarithmic Dimming, 0% to 100%, 120V-277V, D2W; 800-2500 lumens and 98 CRI; 800-2000 lumens ⁽⁵⁾ 1DMX = DMX/RDM Logarithmic Dimming, 0% to 100%, 120V, 98 CRI; 2500-3000 lumens ⁽⁵⁾ 2DMX = DMX/RDM Logarithmic Dimming, 0% to 100%, 277V, 98 CRI; 2500-3000 lumens ⁽⁵⁾ 3DMX = DMX/RDM Logarithmic Dimming, 0% to 100%, 347V with step down transformer, D2W; 800-2500 lumens and 98 CRI; 800-3000 lumens ⁽⁵⁾	800-3,000	800-2,500
DMXC5 =DMX/RDM Logarithmic Dimming, 0% to 100%, 120V-277V, RJ45 connection, D2W; 800-2500 lumens and 98 CRI; 800-2000 lumens ⁽⁵⁾ 1DMXC5 = DMX/RDM Logarithmic Dimming, 0% to 100%, 120V, RJ45 connection, 98 CRI; 2500-3000 lumens ⁽⁵⁾ 2DMXC5 = DMX/RDM Logarithmic Dimming, 0% to 100%, 277V, RJ45 connection, 98 CRI; 2500-3000 lumens ⁽⁵⁾ 3DMXC5 = DMX/RDM Logarithmic Dimming, 0% to 100%, 347V with step down transformer, RJ45 connection, D2W; 800-2500 lumens and 98 CRI; 800-3000 lumens ⁽⁵⁾	800-3,000	800-2,500
1DL2 = Lutron® Hi-Lume Forward Phase Dimming, 1% to 100%, 120V Only, 25' Max remote length, D2W; 800-2500 lumens and 98 CRI; 800-2500 lumens 3DL2 = Lutron® Hi-Lume Forward Phase Dimming, 1% to 100%, 347V with step down transformer, 25' Max remote length, D2W; 800-2500 lumens and 98 CRI; 800-2500 lumens	800-2,500	800-2,500
DLE =Lutron Ecosystem dimming 1% to 100%, 120V-277V, 25' Max remote length, D2W; 800-2500 lumens and 98 CRI; 800-2000 lumens 1DLE = Lutron Ecosystem dimming 1% to 100%, 120V, 25' Max remote length, 98 CRI; 2500 lumens 2DLE = Lutron Ecosystem dimming 1% to 100%, 277V, 25' Max remote length, 98 CRI; 2500 lumens 3DLE = Lutron Ecosystem dimming 1% to 100%, 347V with step down transformer, 25' Max remote length, D2W; 800-2500 lumens and 98 CRI; 800-2500 lumens	800-2,500	800-2,500
DLV =Low voltage dimming driver (1-100%) for use with DLVP system, D2W; 800-2500 lumens and 98 CRI; 800-2000 lumens ⁽⁶⁾	800-2,000	800-2,500
DE010W2N2765 =Tunable white 0-10V Dimming, 2700K-6500K, 0% to 100%, 120V-277V, 1000 lumens		
DE010W2N2050 =Tunable white 0-10V Dimming, 2700K-6500K, 0% to 100%, 120V-277V, 1000 lumens		
D5LTW2N2765 =Tunable white Fifth Light® (DALI T6) Dimming, 0% to 100%, 2700K-6500K, 120V-277V, 1000 lumens		
D5LTW2N2050 =Tunable white Fifth Light® (DALI T6) Dimming, 0% to 100%, 2000K-5000K, 120V-277V, 1000 lumens		

Options ^{(6) (10) (30)}		Controls
EMB0D =Bodine® Emergency Module with Remote Test Switch ⁽¹⁰⁾ EMB0D6ST =Bodine® 6W Self Test Emergency Module with Remote Test Switch EM7 =7W Emergency Module with Remote Test Switch EM14 =14W Emergency Module with Remote Test Switch	EMB0D7ST =Bodine® Self Test Emergency Module with Remote Test Switch EMV7 =7W Low Voltage Emergency Module with Remote Test Switch ⁽⁷⁾ EMV14 =14W Low Voltage Emergency Module with Remote Test Switch ⁽⁷⁾ ETRD =Emergency transfer device ⁽³¹⁾	WPST =Factory installed Wavelinx (includes control module, sensor, cable, tilemount and ceiling mount sensor) ^{(11) (13)} WLST =Factory installed Wavelinx LITE Sensor Kit ^{(11) (12)} WPN = Wavelinx PRO Wireless Node without sensor ⁽¹⁵⁾

Accessories (Order separately) ⁽²⁵⁾		
TRM4P =White metal trim ring ⁽²⁶⁾ LGSKT4IP66 =IP66 Gasket Kit DT4RF =4 inch frosted acrylic ring ⁽²⁸⁾	Connected Lighting Systems ^{(9) (11)} WPST =Field installed Wavelinx sensor Kit ⁽¹³⁾ WLST =Field installed Wavelinx LITE Sensor Kit ⁽¹²⁾	Transformers H347 =H347 for 98CRI 4000 lumens and below; D2W 4500 lumens and below; W2N 4000 lumens and below H347200 =347 to 120V Step Down Transformer, 200VA

- Notes:**
- Only product configurations with these designated prefixes are built to be compliant with the Buy American Act of 1933 (BAA) or Trade Agreements Act of 1979 (TAA), respectively. Please refer to [DOMESTIC PREFERENCES](#) website for more information. Components shipped separately may be separately analysed under domestic preference requirements. Offered with spun aluminum narrow (N), medium (M) and wide (W) trims.
 - Nominal Lumens will vary depending on selected color, CRI, driver and reflector finish.
 - Product is marked spacing. [Reference table on page 4 for the spacing details.](#)
 - DMX fixtures default to full on upon loss of DMX signal.
 - Not available with Chicago Plenum.
 - ULUS listed only
 - Offered up to 2500 lumens with D2W and 3500 with W2N
 - D010, D5LT, DE010 up to 4500 lumens with 98 CRI
 - D010TR, DMX up to 3000 lumens with 98 CRI
 - DLE, DL2 up to 2500 lumens with 98 CRI
 - Not available for W2N
 - Refer to system specifications for additional information, features, and benefits. Order either factory installed option or accessory. Use with 0-10V driver.
 - WLST=Wavelinx LITE tilemount sensor kit for daylight dimming, PIR motion sensing, use with D010 only (Refer to Wavelinx LITE system specifications)
 - WPST=Wavelinx wireless sensor kit for daylight dimming, PIR motion sensing, and optional RLTS - Real Time Location Services, use with 0-10V only.
 - IC rated up to 2000 lumens for 98 CRI, 2500 lumens for D2W and 1000 lumens for W2N
 - WPN = Wavelinx PRO wireless node provides luminaire-level control with scene and zone configuration without an integrated sensor; Connects wirelessly with daylight dimming sensor and PIR motion sensor if desired. Use with 0-10V driver only.
 - PS available in self-flanged MW finish only
 - Offered up to 2000 lumens
 - Flange is the same finish as the reflector
 - Requires knife edge ring accessory.
 - Anodized or spun reflectors
 - Offered with DLVP up to 2000 lumens with 98 CRI.
 - Black or white paint.
 - Accessories sold separately will be separately analyzed under domestic preference requirements. Consult factory for further information.
 - Order trim with polymer trim ring (Consult specification sheet for color ordering information and options).
 - If using remote driver order battery and controls with the remote driver.
 - 120V-277V
 - Used to bypass local control during outage. Must be used in conjunction with UL 1008 device (provided by others)
 - Non-IC

Connected Solutions

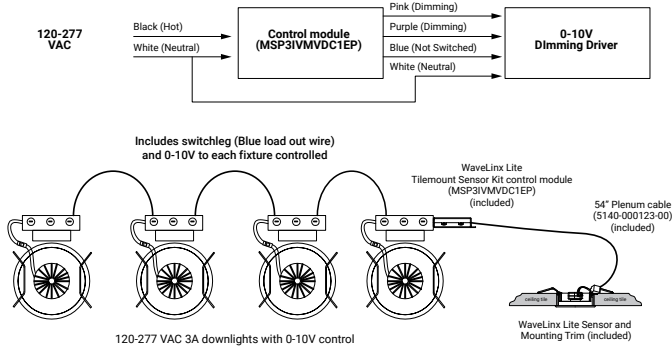
WaveLinX LITE - WLST Tilemount Sensor



- Intuitive Android™ or Apple® iOS® app for basic system code compliant set up and configuration via Bluetooth
- Up to 28 unique areas per project site (WaveLinX LITE Bluetooth network)
- Up to 50 devices for an area, any one of 16 control zones, up to 6 occupancy sets, and custom lighting scenes
- Automatic occupancy or vacancy, sensor sensitivity, daylight dimming, etc. configurable through the app
- Refer to the WaveLinX system specifications for details



WaveLinX LITE WLST Tilemount Wiring Diagram



WaveLinX LITE Bluetooth Enabled System

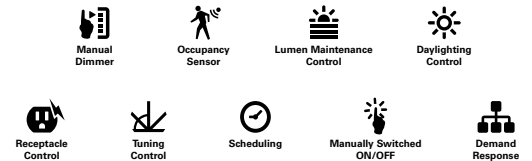


WaveLinX PRO Wireless – WPST Tilemount Sensor



- WaveLinX PRO Wireless functionality configures zones and customizes settings from one secure mobile app
- Automatic code commissioning that meets the strictest codes
- Fixtures and sensors integrate with Wireless Area Controller, Wall Stations, and Control Devices
- Stand-Along Offices or Entire Building Network Installations

WaveLinX mobile app settings



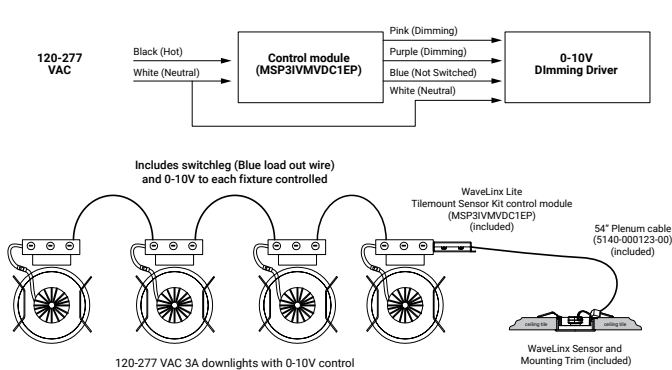
Downlights with tilemount sensor wireless communication
Highly efficient LED fixtures

WaveLinX Area Controller
Provides centralized coordination of multiple area control options

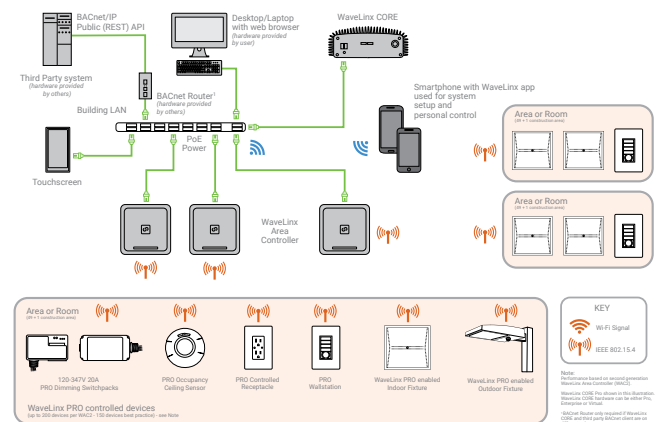
Wireless Wall Station/Receptacle
Provides customized wireless control of each area

Mobile Applications
Provides personalized, local control from a tablet or smartphone

WaveLinX PRO WPST Tilemount Wiring Diagram



WaveLinX CORE Building Management Integration



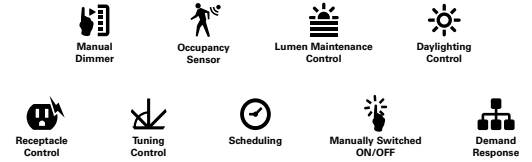
Connected Solutions

WaveLinx PRO Wireless Node - WPN

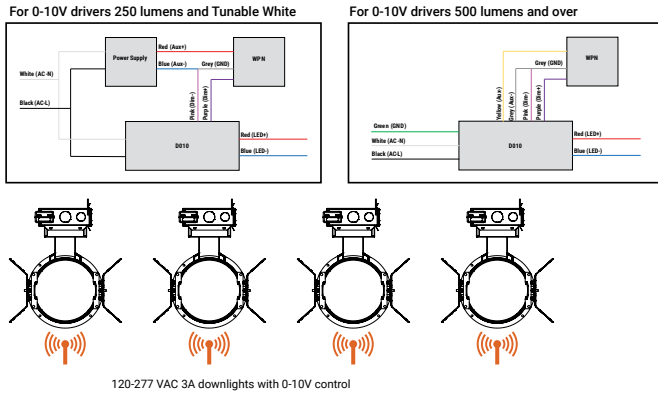
- WaveLinx Wireless functionality configures zones and customizes settings from one secure mobile app
- Automatic code commissioning that meets the strictest codes
- Fixtures and sensors integrate with WaveLinx Area Controller, Wall Stations, and Control Devices
- Stand-Alone Offices or Entire Building Network Installations



WaveLinx mobile app settings



WaveLinx PRO Wireless Node (WPN) Wiring Diagram



WaveLinx CORE Building Management Integration

