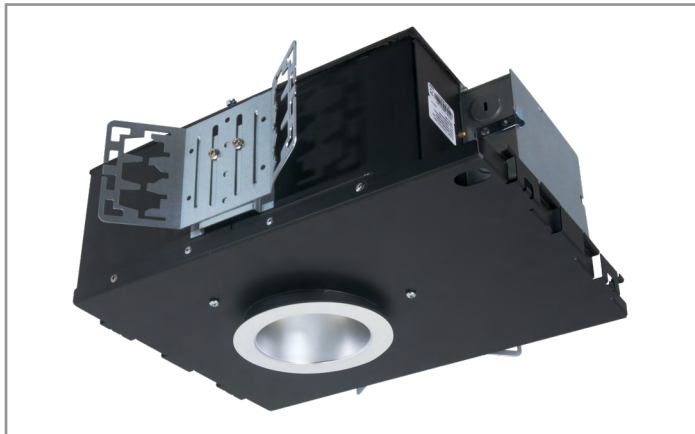


Project		Catalog #		Type	
Prepared by		Notes		Date	



# Portfolio

## LDA3B

3-1/2" Adjustable/slope downlight

### Typical Applications

Office • Education • Healthcare • Hospitality • Retail • Code-Compliance Areas • Sports Venues

### Interactive Menu

- Order Information [page 2](#)
- Product Specifications [page 3](#)
- Photometric Data [page 4](#)
- Energy Data [page 8](#)
- Connected System [page 9](#)
- Product Warranty

### Product Certification



### Control Compatibility



### Product Features

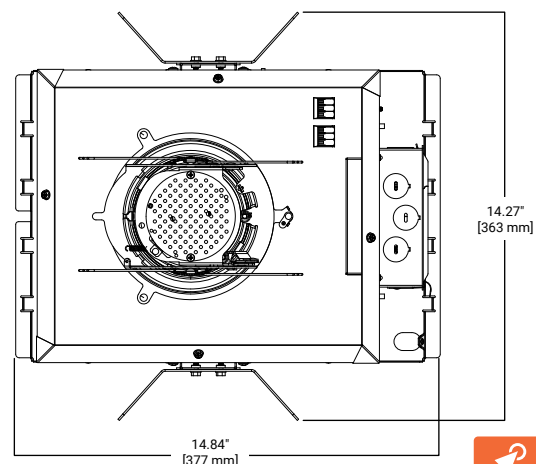
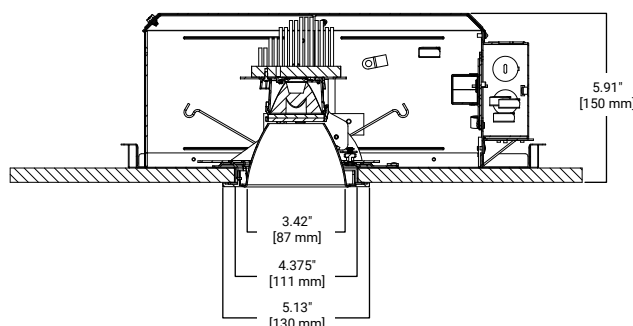


### Top Product Features

- Available in 250 to 2,300 lumens; Insulated Ceiling (IC) rated
- Offered in 90 and 97 CRI; Locking 365° rotation and 45° tilt holds any aiming position
- Interchangeable optics in asymmetric and 5° increments from 10°-70°; Media holder accepts two lens media
- 2400K, 2700K, 3000K, 3500K, 4000K, 5000K; D2W™ option from 3000K to 1850K
- W2N tunable white CCT range 2700K to 6500K or 2000K to 5000K

### Dimensional and Mounting Details

2 X 6 CONFIGURATION  
For 250-1300 lumens



additional product diagrams

## Order Information

SAMPLE ORDER NUMBER: **LDA3B10R309030D010-E3AACKH**

Housing	Lumen <sup>(1)</sup>	Distribution	CRI	Color	Voltage
<b>LDA3B</b> = New construction 3-inch adjustable <b>LDA3BCP</b> = Chicago Plenum new construction 3-inch adjustable	<b>02</b> = 250 lumens <sup>(10)</sup> <b>07</b> = 700 lumens <b>10</b> = 1000 lumens <b>13</b> = 1300 lumens <b>18</b> = 1800 lumens <b>23</b> = 2300 lumens <sup>(2)</sup>  <b>2R2040</b> = Elliptical 20° x 40° <b>2R2050</b> = Elliptical 20° x 50° <b>2R2060</b> = Elliptical 20° x 60°	<b>R10</b> = 10° <sup>(9)</sup> <b>R15</b> = 15° <b>R20</b> = 20° <b>R25</b> = 25° <b>R30</b> = 30° <b>R35</b> = 35° <b>R40</b> = 40° <b>R45</b> = 45° <b>R50</b> = 50° <b>R55</b> = 55° <b>R60</b> = 60° <b>R65</b> = 65° <b>R70</b> = 70° <b>2R2040</b> = Elliptical 20° x 40° optic <b>2R2050</b> = Elliptical 20° x 50° optic <b>2R2060</b> = Elliptical 20° x 60° optic <b>Blank</b> = no optic order separately	<b>90</b> = 90 CRI <b>97</b> = 97 CRI <sup>(4)</sup>	<b>24</b> = 2400K <b>27</b> = 2700K <b>30</b> = 3000K <b>35</b> = 3500K <b>40</b> = 4000K <b>50</b> = 5000K <b>9030D2W</b> = dim to warm <sup>(15)</sup> <b>W2N902050</b> = 2000K-5000K <sup>(5)</sup> <b>W2N902765</b> = 2700K-6500K <sup>(5)</sup>	<b>Blank</b> = 120-277V <b>3</b> = 347V <sup>(6)</sup>

Driver	Options <sup>(8)</sup>
<b>D010</b> =0-10V 1% Dimming, 120-277V <b>D010TR</b> =0-10V or Line Voltage Dimming, 1% to 100%, 120V-277V <b>DE010</b> =0-10V Linear Dimming, 0% to 100%, 120V-277V <b>D5LT</b> =Fifth Light® DALI DT6 Logarithmic Dimming, 0% to 100%, 120V-277V <b>DMX</b> =DMX/RDM Logarithmic Dimming, 0% to 100%, 120V-277V <sup>(7)(8)</sup> <b>DMXC5</b> =DMX/RDM Logarithmic Dimming, 0% to 100%, 120V-277V, with RJ45 connection <sup>(7)(8)</sup> <b>DL2</b> =Lutron® Hi-Lume Forward Phase Dimming, 1% to 100%, 120V Only <sup>(18)</sup> <b>DLE</b> =Lutron Ecosystem dimming 1% to 100%, 120V-277V <sup>(18)</sup> <b>DLV</b> =Low voltage dimming driver (1-100%) for use with DLVP system <sup>(8)</sup>	<b>EMBOD</b> = Bodine® Emergency Module with Remote Test Switch <b>EM7</b> = 7W Emergency Module with Remote Test Switch <b>EM14</b> = 14W Emergency Module with Remote Test Switch <b>EMV7</b> = 7W Low Voltage Emergency Module with Remote Test Switch <b>EMV14</b> = 14W Low Voltage Emergency Module with Remote Test Switch <b>WPST</b> =Factory installed WaveLinx (includes control module, sensor, cable, tilemount and ceiling mount sensor) <sup>(9)(14)(17)</sup> <b>WLST</b> =Factory installed WaveLinx LITE Sensor Kit <sup>(9)(16)(17)</sup> <b>WPN</b> = WaveLinx PRO Wireless Node without sensor <sup>(20)</sup>

Reflector	Finish	Trim Ring
<b>E3AA</b> = 3.5" Aperture open angle cut <b>E3AA20</b> = 3.5" Aperture open 20° angle cut <b>E3SLOT</b> = 3.5" Aperture open 20° slot cut <b>E3AASR</b> = 3.5" Aperture lensed angle cut <b>E3MR</b> = 3.5" Aperture open downlight <b>E3SR</b> = 3.5" Aperture lensed downlight <b>E3LWW</b> = 3.5" Aperture lensed wall wash	<b>C</b> = Specular Clear <b>H</b> = Semi-specular clear <b>G</b> = Gold <b>WMH</b> = Warm haze <b>WH</b> = Wheat <b>WHH</b> = Wheat haze <b>GP</b> = Graphite  <b>GPH</b> = Graphite haze <b>K</b> = Cognac <b>KH</b> = Cognac haze <b>CC</b> = Chocolate <b>CCH</b> = Chocolate haze <b>B</b> = Black	<b>Blank</b> = Matte white metal trim ring <b>SF</b> = Self flanged <sup>(12)</sup> <b>SFWF</b> = Self flanged painted white <sup>(12)</sup>

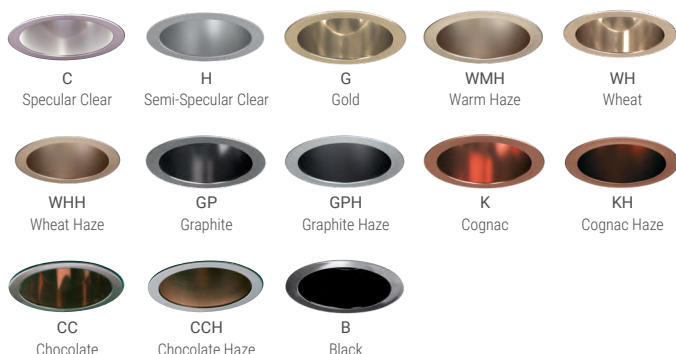
Pinhole	Flange Style and Finish
<b>E3AASRPIN</b> = 1.75" Aperture lensed pinhole <b>E3PINL</b> = 1.5" Aperture lensed pinhole with black oculus <b>E3OVAL</b> = 2" oval	<b>Blank</b> = Matte white die-cast flange <b>W</b> = Matte white aluminum die-cast flange with white oculus <sup>(13)</sup>



Accessories	Media	Optic
<b>Bar Hangers</b> <b>HB26</b> = C-channel Bar Hanger, 26" Long, Pair <b>HB50</b> = C-channel Bar Hanger, 50" Long, Pair <b>RMB22</b> = Wood Joist Bar Hanger, 22" Long, Pair  <b>FMC3</b> = Flush Mount Collar Accessory <sup>(19)</sup> <b>PLE3</b> = Plaster Lip Extender for Up to 2" Thick Ceilings  <b>Connected Lighting Systems</b> <sup>(9)</sup> <b>WPST</b> = Field installed WaveLinx sensor Kit <sup>(14)</sup> <b>WLST</b> = Field installed WaveLinx Lite Sensor Kit <sup>(16)</sup>	<b>L100 lenses - optical lenses</b> <b>L110N</b> = Diffuse Sandblasted Lens <b>L111</b> = Soft Focus Lens <b>L113</b> = Prismatic Spread Lens <b>L115</b> = Linear Spread Lens <b>L100MB</b> = Hex cell louver  <b>L100 lenses - color filters</b> <b>L112</b> = Red Gel Filter <b>L114</b> = Ultraviolet, Dichoric Filter <b>L120</b> = Red, Dichoric Filter <b>L121</b> = Amber, Dichoric Filter <b>L122</b> = Yellow, Dichoric Filter <b>L123</b> = Green, Dichoric Filter <b>L124</b> = Daylight Blue, Dichoric Filter <b>L125</b> = Blue, Dichoric Filter <b>L127</b> = Cosmetic (2700K), Dichoric Filter <b>L131</b> = Amber, Gel Filter	<b>2R15SP</b> = 15° <b>2R20</b> = 20° <b>2R25NFL</b> = 25° <b>2R30</b> = 30° <b>2R35</b> = 35° <b>2R40FL</b> = 40° <b>2R45</b> = 45°  <b>2R50</b> = 50° <b>2R55FL</b> = 55° <b>2R60</b> = 60° <b>2R65</b> = 65° <b>2R70</b> = 70° <b>2R2040</b> = Elliptical 20° x 40° <b>2R2050</b> = Elliptical 20° x 50° <b>2R2060</b> = Elliptical 20° x 60°

- Notes:**
- Nominal lumens will vary depending on selected color, driver and reflector finish.
  - Non-IC
  - Offered up to 1000 lumens, must be specified with housing
  - 97CRI for 2700 and 3000K
  - Choose D5LT or DE010 driver, limited to 1000 lumens
  - 347V with D010 driver
  - DMX fixtures default to full on upon loss of DMX signal.
  - Requires above ceiling access.
  - Refer to system specifications for additional information, features, and benefits. Order either factory installed option or accessory.
  - D010TR only
  - Available on E3AA and E3MR.
  - Not available with baffles.
  - E3PINL only.
  - WPST = WaveLinx wireless sensor kit for daylight dimming, PIR motion sensing, and optional RLTS - Real Time Location Services, use with 0-10V only.
  - Limited to 1000 and 1300 lumens
  - WLST = WaveLinx LITE tilemount sensor kit for daylight dimming, PIR motion sensing, use with D010 only (Refer to WaveLinx LITE system specifications)
  - Not available with Chicago Plenum or IC rating.
  - For 1000 lumens and above.
  - Not for use with self flanged reflectors
  - WPN = WaveLinx PRO wireless node provides luminaire-level control with scene and zone configuration without an integrated sensor, Connects wirelessly with daylight dimming sensor and PIR motion sensor if desired. Use with 0-10V driver only.

## Reflector Finishes



## Painted Finishes



## Flanges



## Product Specifications

### Lower Shielding Reflector

- Open or lensed, low brightness 3-1/2" aperture, spun 0.04 high purity aluminum angle cut or slot cut, for flat or sloped ceilings
- Lensed wall wash with neutral color linear glass lens provides smooth vertical illumination with minimal downlight
- Open or lensed, low brightness 3-1/2" aperture, spun 0.04 high purity downlight reflector providing 50° source and source image cutoff
- Open or lensed die cast round or oval pinhole with angle cut upper reflector
- Pinhole includes black oculus to control glare
- Available in all Portfolio Alzak® finishes
- Metal trim ring can be removed for painting
- Plaster lathing ring accessory offered for flush reflector transition

### Trim Retention

- Retained with two torsion springs holding the flange tightly to the finished ceiling

### Housing

- Steel housing painted matte black to eliminate stray light
- Top accessible
- Ships with overspray protector installed

### Adjustment Mechanism

- Provides smooth 365° rotation and 45° tilt adjustment allowing LED optic to pivot about the center of the aperture at the ceiling line for maximum light output without flashback
- Locks in position with 1/4" Phillips driver
- Aiming scale enables consistent setting across multiple fixtures

### Optic

- Interchangeable silicone optic in elliptical and 5° increments from 10°-70° providing smooth beam without color separation
- Elliptical beams
- Media holder fits onto optic holder and holds up to two lens media

### Universal Mounting Bracket

- Accepts 1/2" Electric Metallic Tube (EMT), C-channel, T-bar fasteners and bar hangers

### Junction Box

- Seven 1/2" trade size pry outs positioned to allow straight conduit runs
- Listed for four #12 AWG (two in, two out) 90°C conductors and feed-through branch wiring for top access units (with top access units only)
- Lever connectors for simple push in wiring

### Thermal

- Forged aluminum heat sink conducts heat away from the LED module for optical performance and longer life

### LED System

- Contains a plurality of high brightness white LED's combined with TIR optic produces even distribution with no pixilation
- Lumen output shall not decrease by more than 10% over the minimum life of 55,000 hours (L90 > 55,000 hours)
- Color variation within 2-step MacAdam ellipses
- Available in 2400K, 2700K, 3000K, 3500K, 4000K and 5000K correlated color temperature (CCT)
- Available in 90 or 97 color rendering index (CRI)

### VividTune™ Color Tuning Solutions

- D2W™ – Dim-to-Warm shifts CCT from 3000K to 1850K as fixture dims, mimicking halogen sources
- W2N – Tunable white CCT range from 2700K to 6500K or 2000K to 5000K; 90 CRI

### Driver

- Standard 120-277V 0-10V dimming driver provides flicker-free dimming from 100% to 1%
- Optional 120V leading edge/0-10V 120-277V combination, Fifth Light, DMX or Lutron® Ecosystem
- Standard 0-10V driver and 0-10V leading edge can be serviced from above or through the aperture
- Distributed Low Voltage Power (DLVP) system combines power, lighting and controls with ease of installation.

### Connected Lighting System

Two WaveLinx connected solutions to choose from. Refer to WaveLinx system specifications and application guides for details.

#### WaveLinx PRO Tilemount Sensor Kit

- WaveLinx WPST tilemount sensor kit offers daylight dimming, PIR motion sensing, scene and zone configuration, automatic commissioning; and optional RLTS - Real Time Location Services available.

#### WaveLinx PRO Wireless Node

- WaveLinx PRO wireless node provides luminaire-level control with scene and zone configuration without an integrated sensor; Connects wirelessly with daylight dimming sensor and PIR motion sensor if desired. Use with 0-10V driver only.

### WaveLinx LITE Tilemount Sensor Kit

- WaveLinx LITE WLST tilemount sensor kit offers daylight dimming and PIR motion sensing, scene and grouping configuration.

### WaveLinx Tilemount Kits Application

- The WPST and WLST tilemount kits include a control module mounted on the luminaire junction box via 1/2" knock-out, and a tilemount sensor on 54-inch whip; for ceiling installation by direct-mount spring clips or via mounting bracket in octagon ceiling boxes.
- The WPST and WLST tilemount kits may be ordered as factory installed on the luminaire, or ordered separately as a field installed accessory kit.

### Compliance

- Thermally protected, IC rated up to 1800 lumens
- cULus Certified to UL 1598 / C22.2 No. 250.0 suitable for wet locations with downlight; damp location with wall wash and hyperbolic with covered ceiling
- Optional City of Chicago environmental environmental air (CCEA) marking for plenum applications
- EMI/RFI emissions per FCC 47CFR Part 18 Class B consumer limits
- Airtight with lensed trims
- RoHS compliant
- Photometric testing completed in accordance with IES LM-79 and TM-30 standards
- LED life testing completed in accordance with IES LM-80 standards
- Can be used for State of California Title 24 high efficacy LED compliance under JA8, reference Modernized Appliance Efficiency Database System (MAEDBS) for 2016 JA8 High Efficacy Lighting
- ENERGY STAR® certified, reference certified light fixtures database

### Warranty

- Five year warranty [www.cooperlighting.com/legal](http://www.cooperlighting.com/legal)

## Photometric Data

15°		CANDLEPOWER DISTRIBUTION	CONE OF LIGHT	CANDELA TABLE	ZONAL LUMEN SUMMARY	LUMINANCE																																																									
Test Number	P410967			<table border="1"> <thead> <tr> <th>Degrees Vertical</th> <th>Candela</th> </tr> </thead> <tbody> <tr><td>0</td><td>11434</td></tr> <tr><td>5</td><td>9613</td></tr> <tr><td>15</td><td>1335</td></tr> <tr><td>25</td><td>168</td></tr> <tr><td>35</td><td>10</td></tr> <tr><td>45</td><td>0</td></tr> <tr><td>55</td><td>0</td></tr> <tr><td>65</td><td>0</td></tr> <tr><td>75</td><td>0</td></tr> <tr><td>85</td><td>0</td></tr> <tr><td>90</td><td>0</td></tr> </tbody> </table>	Degrees Vertical	Candela	0	11434	5	9613	15	1335	25	168	35	10	45	0	55	0	65	0	75	0	85	0	90	0	<table border="1"> <thead> <tr> <th>Zone</th> <th>Lumens</th> <th>% Fixture</th> </tr> </thead> <tbody> <tr><td>0-30</td><td>1278</td><td>99.2</td></tr> <tr><td>0-40</td><td>1287</td><td>100</td></tr> <tr><td>0-60</td><td>1288</td><td>100</td></tr> <tr><td>0-90</td><td>1288</td><td>100</td></tr> <tr><td>90-180</td><td>0</td><td>0</td></tr> <tr><td>0-180</td><td>1288</td><td>100</td></tr> </tbody> </table>	Zone	Lumens	% Fixture	0-30	1278	99.2	0-40	1287	100	0-60	1288	100	0-90	1288	100	90-180	0	0	0-180	1288	100	<table border="1"> <thead> <tr> <th>Average Candela Degrees</th> <th>Average 0° Luminance</th> </tr> </thead> <tbody> <tr><td>35</td><td>1947</td></tr> <tr><td>45</td><td>0</td></tr> <tr><td>55</td><td>0</td></tr> <tr><td>65</td><td>0</td></tr> <tr><td>75</td><td>0</td></tr> </tbody> </table>	Average Candela Degrees	Average 0° Luminance	35	1947	45	0	55	0	65	0	75	0
Degrees Vertical	Candela																																																														
0	11434																																																														
5	9613																																																														
15	1335																																																														
25	168																																																														
35	10																																																														
45	0																																																														
55	0																																																														
65	0																																																														
75	0																																																														
85	0																																																														
90	0																																																														
Zone	Lumens	% Fixture																																																													
0-30	1278	99.2																																																													
0-40	1287	100																																																													
0-60	1288	100																																																													
0-90	1288	100																																																													
90-180	0	0																																																													
0-180	1288	100																																																													
Average Candela Degrees	Average 0° Luminance																																																														
35	1947																																																														
45	0																																																														
55	0																																																														
65	0																																																														
75	0																																																														
Housing	LDA3B																																																														
Module	13R159035D010																																																														
Trim	E3MRC																																																														
Lumens	1288																																																														
Efficacy	92 Lm/W																																																														
SC	0.3																																																														
UGR	NA																																																														

15° / 30° Tilt		CANDLEPOWER DISTRIBUTION	CONE OF LIGHT	CONE OF LIGHT
Test Number	P407923		Horizontal	Vertical
Housing	LDA3B			
Module	13R159035D010			
Trim	E3AAC			
Lumens	1208			
Efficacy	86.3 Lm/W			
SC	0.44			
UGR	NA			

CANDELA TABLE		ZONAL LUMEN SUMMARY			LUMINANCE	
Degrees Vertical	Candela	Zone	Lumens	% Fixture	Average Candela Degrees	Average 0° Luminance
0	244	0-30	661	54.7	35	1573627
5	587	0-40	1122	92.9	45	154586
15	1803	0-60	1205	99.7	55	6881
25	10191	0-90	1208	100	65	229
35	8001	90-180	0	0	75	0
45	678	0-180	1208	100		
55	24					
65	1					
75	0					
85	0					
90	0					

### CCT Multipliers – 90CRI

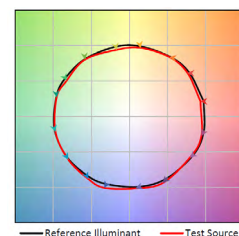
2700K	3000K	3500K	4000K
0.923	0.963	1.00	1.02

Multipliers for relative lumen values with other color temperatures.

Note: Refer to IES files for more product data.

### Color Metrics - TM-30-15 & CRI/CIE

TM-30-15	Rf = 91.6
	Rg = 98.6
CRI/CIE	Ra = 94.9
	R9 = 67



## Photometric Data

25°		CANDLEPOWER DISTRIBUTION	CONE OF LIGHT	CANDELA TABLE	ZONAL LUMEN SUMMARY	LUMINANCE							
Test Number	P411015			Degrees Vertical	Candela	Zone	Lumens	% Fixture	Average Candela Degrees	Average 0° Luminance			
Housing	LDA3B			MH	FC	L	W	0	6168	0-30	1248	98.8	35
Module	13R259035D010		5.5'	203.9	2.4	2.4	5	5730	0-40	1262	99.9	45	0
Trim	E3MRC		7'	125.9	3	3	15	2214	0-60	1263	100	55	0
Lumens	1263		8'	96.4	3.6	3.6	25	233	0-90	1263	100	65	0
Efficacy	90 Lm/W		9'	76.1	4	4	35	14	90-180	0	0	75	0
SC	0.45	10'	61.7	4.4	4.4	45	0	0-180	1263	100			
UGR	NA	12'	42.8	5.4	5.4	55	0						

25° / 30° Tilt		CANDLEPOWER DISTRIBUTION	CONE OF LIGHT	CONE OF LIGHT								
Test Number	P408019		Horizontal	Vertical								
Housing	LDA3B		MH	FC	L	W	CB	D	FC	L	W	CB
Module	13R259035D010		5.5'	45.2	4.9	3.6	3.2	1'	4496.4	0.4	0.4	1.7
Trim	E3AAC		7'	27.9	6.1	4.6	4	2'	1124.1	0.9	0.8	3.5
Lumens	1301		8'	21.4	7	5.4	4.6	3'	499.6	1.5	1.4	5.2
Efficacy	93 Lm/W		9'	16.9	7.8	6	5.2	4'	281	2	1.8	6.9
SC	0.51	10'	13.7	8.6	6.8	5.8	5'	179.9	2.6	2.4	8.7	
UGR	NA	12'	9.5	10.2	8.2	6.9	6'	124.9	3.1	2.8	10.4	

CANDELA TABLE		ZONAL LUMEN SUMMARY			LUMINANCE	
Degrees Vertical	Candela	Zone	Lumens	% Fixture	Average Candela Degrees	Average 0° Luminance
0	249	0-30	655	50.3	35	1165121
5	523	0-40	1137	87.4	45	375723
15	2814	0-60	1298	99.8	55	13285
25	6269	0-90	1301	100	65	0
35	5924	90-180	0	0	75	0
45	1649	0-180	1301	100		
55	47					
65	0					
75	0					
85	0					
90	0					

### CCT Multipliers – 90CRI

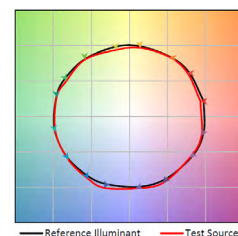
2700K	3000K	3500K	4000K
0.923	0.963	1.00	1.02

Multipliers for relative lumen values with other color temperatures.

Note: Refer to IES files for more product data.

### Color Metrics - TM-30-15 & CRI/CIE

TM-30-15	R <sub>f</sub> = 91.6
	R <sub>g</sub> = 98.6
CRI/CIE	R <sub>a</sub> = 94.9
	R <sub>9</sub> = 67



## Photometric Data

40°		CANDLEPOWER DISTRIBUTION	CONE OF LIGHT	CANDELA TABLE	ZONAL LUMEN SUMMARY	LUMINANCE						
Test Number	P411063			Degrees Vertical	Candela	Zone	Lumens	% Fixture	Average Candela Degrees	Average 0° Luminance		
Housing	LDA3B			0	3148	0-30	1318	98	35	6608		
Module	13R409035D010		MH	FC	L	W	5.5'	104.1	3.8	3.8	45	0
Trim	E3MRC		7'	64.3	4.8	4.8	8'	49.2	5.4	5.4	55	0
Lumens	1345		9'	38.9	6.2	6.2	10'	31.5	6.8	6.8	65	0
Efficacy	96 Lm/W		12'	21.9	8.2	8.2	90-180	0	0	75	0	
SC	0.7			Degrees Vertical	Candela	0-180	1345	100				
UGR	NA			0	3148							
				5	3152							
				15	2738							
				25	584							
				35	34							
				45	0							
				55	0							
				65	0							
				75	0							
				85	0							
				90	0							

40° / 30° Tilt		CANDLEPOWER DISTRIBUTION	CONE OF LIGHT	CONE OF LIGHT								
Test Number	P408115		Horizontal	Vertical								
Housing	LDA3B		MH	FC	L	W	CB	D	FC	L	W	CB
Module	13R409035D010		5.5'	35.6	5.2	4.6	3.2	1'	2344.9	0.6	0.6	1.7
Trim	E3AAC		7'	22	6.5	6	4	2'	586.2	1.4	1.4	3.5
Lumens	1329		8'	16.8	7.4	6.8	4.6	3'	260.5	2.1	2.2	5.2
Efficacy	95 Lm/W		9'	13.3	8.3	7.6	5.2	4'	146.6	2.9	2.8	6.9
SC	0.28	10'	10.8	9.2	8.4	5.8	5'	93.8	3.7	3.6	8.7	
UGR	NA	12'	7.5	10.8	10.2	6.9	6'	65.1	4.4	4.4	10.4	

CANDELA TABLE		ZONAL LUMEN SUMMARY			LUMINANCE		
Degrees Vertical	Candela	Zone	Lumens	% Fixture	Average Candela Degrees	Average 0° Luminance	
0	831	0-30	686	51.6	35	597212	
5	995	0-40	1082	81.4	45	469204	
15	3035	0-60	1326	99.8	55	67832	
25	3294	0-90	1329	100	65	229	
35	3037	90-180	0	0	75	0	
45	2059	0-180	1329	100			
55	242						
65	1						
75	0						
85	0						
90	0						

### CCT Multipliers – 90CRI

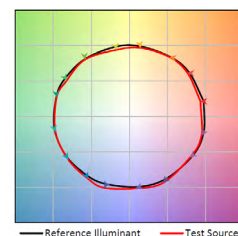
2700K	3000K	3500K	4000K
0.923	0.963	1.00	1.02

Multipliers for relative lumen values with other color temperatures.

Note: Refer to IES files for more product data.

### Color Metrics - TM-30-15 & CRI/CIE

TM-30-15	Rf = 91.6
	Rg = 98.6
CRI/CIE	Ra = 94.9
	R9 = 67



## Photometric Data

50°		CANDLEPOWER DISTRIBUTION	CONE OF LIGHT	CANDELA TABLE	ZONAL LUMEN SUMMARY	LUMINANCE							
Test Number	P411816			Degrees Vertical	Candela	Zone	Lumens	% Fixture	Average Candela Degrees	Average 0° Luminance			
Housing	LDA3B			MH	FC	L	W	0	2159	0-30	1186	89.2	35
Module	13R509035D010		5.5'	71.4	4.4	4.4	5	2060	0-40	1324	99.6	45	273
Trim	E3MRH		7'	44.1	5.8	5.8	15	1806	0-60	1329	100	55	169
Lumens	1329		8'	33.7	6.6	6.6	25	1168	90-180	0	0	65	0
Efficacy	95 Lm/W		9'	26.7	7.4	7.4	35	177	0-180	1329	100	75	0
SC	0.83		10'	21.6	8.2	8.2	45	1					
UGR	NA	12'	15	9.8	9.8	55	1						
						65	0						
						75	0						
						85	0						
						90	0						

50° / 30° Tilt		CANDLEPOWER DISTRIBUTION	CONE OF LIGHT	CONE OF LIGHT								
Test Number	P410652		Horizontal	Vertical								
Housing	LDA3B		MH	FC	L	W	CB	D	FC	L	W	CB
Module	13R509035D010		5.5'	28.3	4.4	5.2	3.2	1'	1363.6	0.9	0.8	1.7
Trim	E3AAH		7'	17.5	5.6	6.6	4	2'	340.9	1.8	1.8	3.5
Lumens	1254		8'	13.4	6.4	7.6	4.6	3'	151.5	2.7	2.8	5.2
Efficacy	90 Lm/W		9'	10.6	7.2	8.4	5.2	4'	85.2	3.7	3.6	6.9
SC	0.52		10'	8.6	8	9.4	5.8	5'	54.5	4.6	4.6	8.7
UGR	NA	12'	5.9	9.6	11.4	6.9	6'	37.9	5.5	5.6	10.4	

CANDELA TABLE		ZONAL LUMEN SUMMARY			LUMINANCE	
Degrees Vertical	Candela	Zone	Lumens	% Fixture	Average Candela Degrees	Average 0° Luminance
0	838	0-30	626	50	35	354638
5	1447	0-40	944	75.3	45	274200
15	1968	0-60	1251	99.7	55	219561
25	1978	0-90	1254	100	65	0
35	1803	90-180	0	0	75	0
45	1204	0-180	1254	100		
55	782					
65	0					
75	0					
85	0					
90	0					

### CCT Multipliers – 90CRI

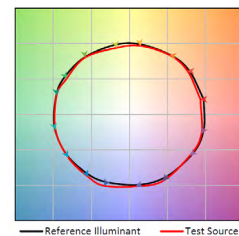
2700K	3000K	3500K	4000K
0.923	0.963	1.00	1.02

Multipliers for relative lumen values with other color temperatures.

Note: Refer to IES files for more product data.

### Color Metrics - TM-30-15 & CRI/CIE

TM-30-15	Rf = 91.6
	Rg = 98.6
CRI/CIE	Ra = 94.9
	R9 = 67



## Energy Data

250 Lumens		
	120V	277V
Lumen Output	250	250
Input Power (W)	4	4
Input Current(A)	0.042	0.019
THDi(%)	19.6	19.6
PF	0.96	0.93

700 Lumens		
	120V	277V
Lumen Output	700	700
Input Power (W)	8	8
Input Current(A)	0.075	0.034
THDi(%)	15.3	16
PF	0.97	0.92

1000 Lumens		
	120V	277V
Lumen Output	1000	1000
Input Power (W)	11	11
Input Current(A)	0.091	0.04
THDi(%)	16	13.7
PF	0.97	0.95

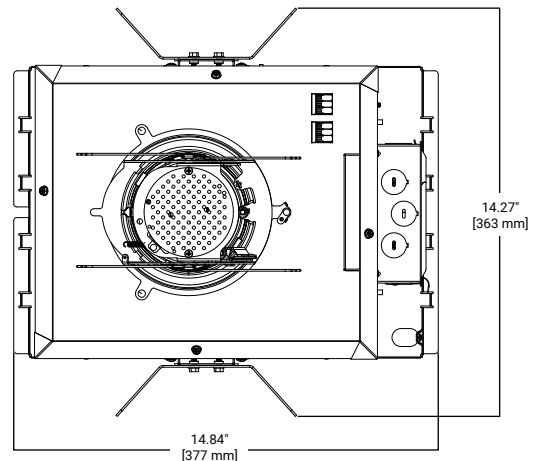
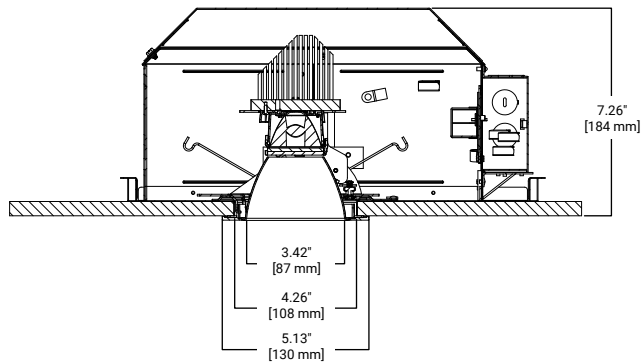
1300 Lumens		
	120V	277V
Lumen Output	1300	1300
Input Power (W)	15	15
Input Current(A)	0.125	0.057
THDi(%)	12.3	11.2
PF	0.98	0.92

1800 Lumens		
	120V	277V
Lumen Output	1800	1800
Input Power (W)	22	22
Input Current(A)	0.181	0.079
THDi(%)	8.8	4.9
PF	0.99	0.96

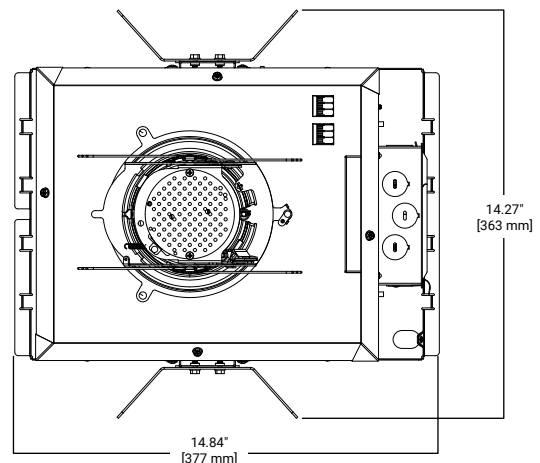
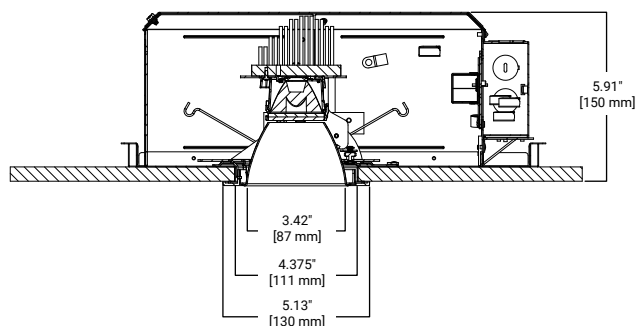
2300 Lumens		
	120V	277V
Lumen Output	2300	2300
Input Power (W)	31	31
Input Current(A)	0.261	0.111
THDi(%)	11.1	4.7
PF	0.98	0.96

## Dimensional and Mounting Details

**2 X 8 CONFIGURATION**  
For 1800 and 2300 lumens



**2 X 6 CONFIGURATION**  
For 250-1300 lumens





## Connected Solutions

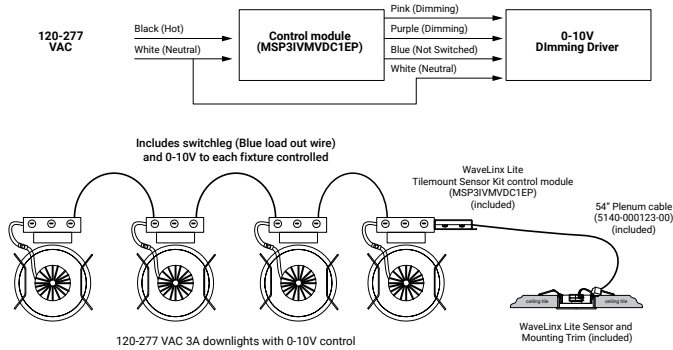
### WaveLinX LITE - WLST Tilemount Sensor



- Intuitive Android™ or Apple® iOS® app for basic system code compliant set up and configuration via Bluetooth
- Up to 28 unique areas per project site (WaveLinX LITE Bluetooth network)
- Up to 50 devices for an area, any one of 16 control zones, up to 6 occupancy sets, and custom lighting scenes
- Automatic occupancy or vacancy, sensor sensitivity, daylight dimming, etc. configurable through the app
- Refer to the WaveLinX system specifications for details



#### WaveLinX LITE WLST Tilemount Wiring Diagram



#### WaveLinX LITE Bluetooth Enabled System



### WaveLinX PRO Wireless – WPST Tilemount Sensor



- WaveLinX PRO Wireless functionality configures zones and customizes settings from one secure mobile app
- Automatic code commissioning that meets the strictest codes
- Fixtures and sensors integrate with Wireless Area Controller, Wall Stations, and Control Devices
- Stand-Along Offices or Entire Building Network Installations

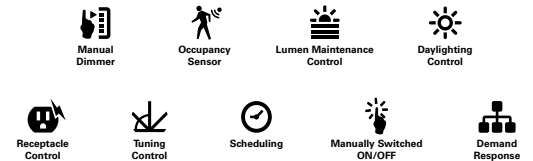
**Downlights with tilemount sensor wireless communication**  
Highly efficient LED fixtures

**WaveLinX Area Controller**  
Provides centralized coordination of multiple area control options

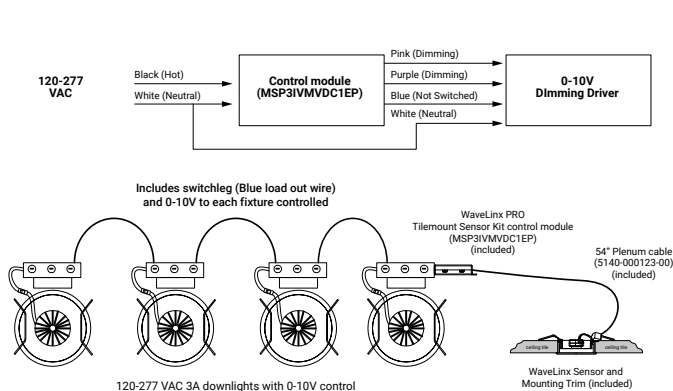
**Wireless Wall Station/Receptacle**  
Provides customized wireless control of each area

**Mobile Applications**  
Provides personalized, local control from a tablet or smartphone

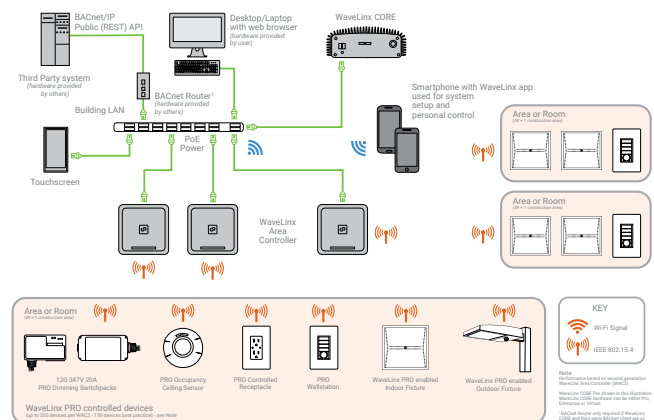
#### WaveLinX mobile app settings



#### WaveLinX PRO WPST Tilemount Wiring Diagram



#### WaveLinX CORE Building Management Integration



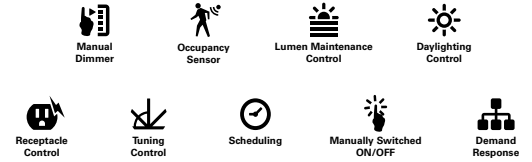
## Connected Solutions

### WaveLinx PRO Wireless Node - WPN

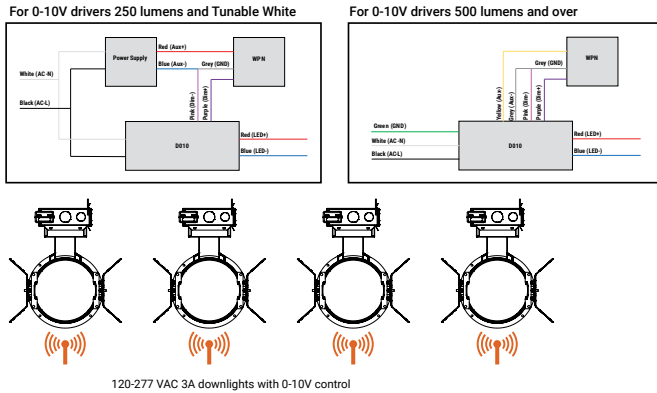
- WaveLinx Wireless functionality configures zones and customizes settings from one secure mobile app
- Automatic code commissioning that meets the strictest codes
- Fixtures and sensors integrate with WaveLinx Area Controller, Wall Stations, and Control Devices
- Stand-Alone Offices or Entire Building Network Installations



#### WaveLinx mobile app settings



#### WaveLinx PRO Wireless Node (WPN) Wiring Diagram



#### WaveLinx CORE Building Management Integration

