

Project		Catalog #		Type	
Prepared by		Notes		Date	



## Portfolio

### LD2B EU2B 2LB

2-Inch Spun or Die Cast Aluminum, Downlight or Wall Wash, New Construction or Retrofit 2x4 and 2x6

500, 1000, 1500, 2000 Lumens

#### Typical Applications

Healthcare • Hospitality • Retail • Institutional • Indoor Display & Signage

#### Interactive Menu

- Order Information page 2
- Product Specifications page 3
- Energy & Performance Data page 4
- Photometric Data page 4
- Connected Systems page 6
- Product Warranty

#### Product Certification



#### Control Compatibility



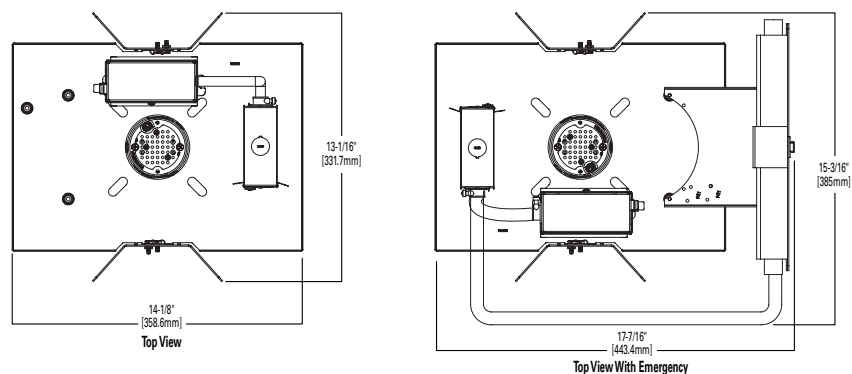
#### Product Features



#### Top Product Features

- New construction or retrofit from below, Downlight or lensed wall wash
- Excellent light control and low aperture brightness
- Installs in shallow or standard plenums, ENERGY STAR® qualified
- Round or square die-cast or spun aluminum reflectors
- 6 color temperatures: 2400K, 2700K, 3000K, 3500K, 4000K and 5000K CCT
- CRI: 80, 90 or 97, D2W™ option from 3000K to 1850K
- W2N Tunable White 2700K-6500K or 2000K-5000K
- Lumens: 500-2,000, Distributions: 15°, 25°, 40° or 55°
- Options to meet Trade Agreements Act requirements

#### Dimensional and Mounting Details



Order Information

SAMPLE ORDER NUMBER: **LD2B15D010**

Domestic Preferences <sup>(15)</sup>	Housing	Lumens <sup>(1)</sup>	Voltage	Driver	Options <sup>(2) (10)</sup>
[Blank]=Standard TAA=Trade Agreements Act	LD2B=2" New Construction Downlight LDRT2B=2" Remodel Downlight limit to 1500 lumen <sup>(13)</sup> LD2BCP=2" LED Downlight Nominal Aperture, Chicago Plenum <sup>(12)</sup>	05=500 lumens <sup>(14)</sup> 10=1000 lumens 15=1500 lumens 20=2000 lumens	[Blank]=120-277V 3=347V 0-10V only 1000-2000 lumens	<b>500 - 2000 Lumens</b> D010=0-10V Dimming, 1% to 100%, 120V-277V DLV=Low voltage dimming driver (1-100%) for use with DLVP system <sup>(6)</sup> <b>1000 - 2000 Lumens</b> D010TR=0-10V or Line Voltage Dimming, 1% to 100%, 120V-277V DE010=0-10V Linear Dimming, 0% to 100%, 120V-277V <sup>(8)</sup> D5LT=Fifth Light <sup>®</sup> (DALI) Logarithmic Dimming, 0% to 100%, 120V-277V <sup>(6)</sup> DMX=DMX/RDM Logarithmic Dimming, 0% to 100%, 120V-277V <sup>(6)(9)</sup> DMXC5=DMX/RDM Logarithmic Dimming, 0% to 100%, 120V-277V, with RJ45 connection <sup>(6)(9)</sup> DL2=Lutron <sup>®</sup> Hi-Lume Forward Phase Dimming, 1% to 100%, 120V Only <sup>(6)</sup> DLE=Lutron Ecosystem dimming 1% to 100%, 120V-277V <sup>(6)</sup> <b>Tunable White</b> D5LTW2N2050 = Fifth Light (DALI) 0-100%, 120-277V, 2000K-5000K D5LTW2N2765 = Fifth Light (DALI) 0-100%, 120-277V, 2000K-5000K DE010W2N2050 = 0-10V dimming, 0-100%, 120-277V, 2000K-5000K DE010W2N2765 = 0-10V dimming, 0-100%, 120-277V, 2700K-6500K	EMBOD=Bodine <sup>®</sup> Emergency Module with Remote Test Switch <sup>(6)</sup> EMBOD7ST=Bodine <sup>®</sup> Emergency Module with Self Test Remote Test Switch <sup>(6)</sup> EM7=7W Emergency Module with Remote Test Switch <sup>(6)</sup> EM14=14W Emergency Module with Remote Test Switch <sup>(6)</sup> EMV7=7W Low Voltage Emergency Module with Remote Test Switch <sup>(6)</sup> EMV14=14W Low Voltage Emergency Module with Remote Test Switch <sup>(6)</sup> WTA = Factory installed WaveLinX sensor Kit <sup>(10) (14)</sup> WTK = Factory installed WaveLinX Lite Sensor Kit <sup>(10) (15)</sup> WPN = WaveLinX PRO Wireless Node without sensor <sup>(20)</sup>

SAMPLE ORDER NUMBER: **EU2B158035**

Domestic Preferences <sup>(15)</sup>	Power Module	Lumen Levels / Distribution <sup>(1) / Optic</sup>	CRI	Color		
[Blank]=Standard TAA=Trade Agreements Act	EU2B=2" Universal LED Module	05SP15=500 lumen 15° IC Rated 05WW=500 lumen wall wash IC Rated <sup>8</sup> 10SP15=1000 lumen 15° IC Rated 10WW=1000 lumen wall wash Non-IC Rated <sup>8</sup> 0510NFL25=500 and 1000 lumen 25° IC Rated 0510FL40=500 and 1000 lumen 40° IC Rated 0510WFL55=500 and 1000 lumen 55° IC Rated  15NFL25=1500 lumen 25° Non IC Rated 15FL40=1500 lumen 40° Non IC Rated 15WFL55=1500 lumen 55° Non IC Rated 15WW=1500 lumen wall wash Non IC Rated <sup>8</sup> 20NFL25=2000 lumen 25° Non IC Rated 20FL40=2000 lumen 40° Non IC Rated 20WFL55=2000 lumen 55° Non IC Rated	80=80 CRI minimum 90=90 CRI minimum 97=97 CRI minimum	<b>80 CRI</b> 27=2700K 30=3000K 35=3500K 40=4000K 50=5000K	<b>90 CRI</b> 24=2400K 27=2700K 30=3000K 35=3500K 40=4000K 50=5000K	<b>97 CRI</b> 27=2700K 30=3000K
				<b>Dim to Warm (1500 lumens and below)</b> 10NFL259030D2W=1000 lumen 25° IC Rated 15NFL259030D2W=1500 lumen 25° Non-IC 10FL409030D2W=1000 lumen 40° IC Rated 15FL409030D2W=1500 lumen 40° Non-IC 10WFL559030D2W=1000 lumen 55° IC Rated 15WFL559030D2W=1500 lumen 55° Non-IC W2N902050 = 1000 lumen 40° 2000K-5000K W2N902765 = 1000 lumen 40° 2700K-6500K		

SAMPLE ORDER NUMBER: **2LBD1LI**

Trim <sup>(17)</sup>	Reflector	Flange	Finish
2LB=2" LED	D=Round downlight spun reflector SW=Round lensed Wall Wash, Spun Aluminum, Splay black oculus SWW=Round lensed Wall Wash, Spun Aluminum, Splay white oculus DL=Round Downlight lensed spun reflector DC=Round Cast Downlight <sup>(2)</sup> DLC=Round Lensed cast downlight <sup>(2)</sup> PIN=Round Pinhole downlight black oculus <sup>(3)</sup> PINW=Round Pinhole downlight white oculus <sup>(3)</sup> DSQC=Square Cast Downlight <sup>(2)</sup> DSQLC=Square Lensed cast shallow downlight <sup>(2)</sup>	1=Self-flanged <sup>(7)</sup> 2=White Painted Self-flanged <sup>(11)</sup> 3=Rimless <sup>(3) (19)</sup> [Blank]=Pinhole	LI=Specular Clear <sup>(4)</sup> H=Semi-Specular Clear Haze <sup>(4)</sup> WMH=Warm Haze <sup>(4)</sup> WH=Wheat <sup>(4)</sup> GPH=Graphite Haze <sup>(4)</sup> B=Specular Black <sup>(4)</sup> MW=Matte White MB=Matte Black <sup>(3)</sup> MMS=Matte Metallic Silver <sup>(3)</sup>

Accessories <sup>(18)</sup>	
RPR2=Round plaster lathing ring (order with rimless option) <b>Bar Hangers</b> HB26=Pair C-channel bar hanger, 26" long BAA-HB26=Pair C-channel bar hanger, 26" long <sup>17</sup> TAA-HB26=Pair C-channel bar hanger, 26" long <sup>17</sup> RMB22=Pair wood joist bar hanger 22" long <b>Connected Lighting Systems<sup>(10)</sup></b> WTA = Field installed WaveLinX sensor Kit <sup>14</sup> WTK = Field installed WaveLinX Lite Sensor Kit <sup>15</sup>	<b>L100 lenses - optical lenses</b> L110N=Diffuse Sandblasted Lens: Provides an even beam spread - especially useful in wall washing. L111=Soft Focus Lens: Smooths irregular beam pattern while maintaining high controlled illumination levels and beam angles. L113=Prismatic Spread Lens: Provides a symmetrical broadening of lamp beam. Suitable when a wide, uniform light distribution is required. L115=Linear Spread Lens: Fans out the beam 55° (27-1/2" to each side) to produce a wide rectangular pattern. L100MB=Black finished metal hexagonal-cell louver - controls light spill while retaining lamp optics.

- Notes:**
- Nominal Lumens will vary depending on selected distribution, color, driver and reflector finish.
  - Only available with Matte White, Matte metallic silver and Matte Black Finishes.
  - Available on DC, DLC and PIN.
  - Not available on DC or PIN.
  - DMX, D5LT, DE010, DLC, Lutron, connected and emergency module drivers require accessible ceiling.
  - Flange is the same finish as reflector.
  - Order with 2LBSW Wall Wash trim.
  - DMX fixtures default to full on upon loss of DMX signal.
  - Refer to system specifications for additional information, features, and benefits. Order either factory installed option or accessory. Use with 0-10V driver.

- Not available with Wall Wash.
- Limited to 1000 lumens.
- Available with D010 and D010TR driver only.
- WTA = WaveLinX wireless sensor kit for daylight dimming, PIR motion sensing, and optional RLTS - Real Time Location Services, use with 0-10V only.
- WTK = WaveLinX Lite tile mount sensor kit for daylight dimming, PIR motion sensing, use with D010 only (Refer to WaveLinX Lite system specifications)
- Limited to D010 and D010A drivers.
- Only product configurations with this designated prefix are built to be compliant with the Trade Agreements Act of 1979 (TAA). Please refer to DOMESTIC PREFERENCES website for more information. CComponents shipped separately may be separately analyzed under domestic preference requirements. Accessories sold separately will be separately analyzed under

- domestic preference requirements. Consult factory for further information. Trim must be ordered with power module for TAA compliance. Example: TAA-EU2B158035-2LB
- Accessories sold separately will be separately analyzed under domestic preference requirements. Consult factory for further information.
  - For use with plaster lathing ring RPR2 (required).
  - WPN = WaveLinX PRO wireless node provides luminaire-level control with scene and zone configuration without an integrated sensor; Connects wirelessly with daylight dimming sensor and PIR motion sensor if desired. Use with 0-10V driver only.

## Product Specifications

### Lower Reflector

- Round or square painted die cast aluminum or round anodized aluminum lower reflector with a lensed upper optical chamber providing superior lumen output with minimal source brightness.
- Anodized reflectors are offered in all Portfolio Alzak® finishes.
- Plaster lathing ring accessory offered for flush reflector transition.

### Trim Retention

- Reflector is retained with three or four pressure springs holding the flange tight to the finished ceiling surface.

### Optic

- TIR optic in 15°, 25°, 40, 55° or wall wash provides smooth beam without color separation.
- Media holder fits onto upper reflector and holds up one lens media.
- For non-lens trims only.

### Plaster Frame / Collar

- New Construction
- Galvanized steel plaster frame designed for ceiling thickness from 1/2 to 1-1/4-inch.
- Retrofit
- Installs from below.

### Universal Mounting Bracket

- Accepts 1/2" EMT, C channel and bar hangers.

### Junction Box

- (4) 1/2" trade size pry outs positioned to allow straight conduit runs.
- Listed for (4) #12AWG (two in, two out) 90°C conductors and feed thru branch wiring.
- Lever connectors for simple push in wiring.

### Thermal

- Forged aluminum heat sink conducts heat away from the LED COB for optimal performance and long life.

### LED

- Chip on board with a multitude of highly efficient white LED's, combined with TIR optic produces an even distribution with no pixilation.

- Lumen output shall not decrease by more than 10% over the minimum life of 55,000 hours (L90 > 55,000 hours).
- Auto resetting, thermally protected, LED's are turned off when safe operating temperatures are exceeded.
- Color variation within 2-step MacAdam ellipses.
- Flexible disconnect allows for replacement of LED engine from below ceiling. Available in 80, 90 or 97 CRI.
- D2W™ – dim-to-warm shifts CCT from 3000K to 1850K as fixture dims mimicking halogen sources.
- W2N - Tunable white CCT range 2700K to 6500K or 2000K to 5000K, 90 CRI.

### Driver

- Standard 120-277V 0-10V dimming driver provides flicker free dimming from 100% to 1%.
- Optional 120V leading edge, <1% 0-10V, Fifth Light, DMX or Lutron® Ecosystem.
- Driver can be serviced from above or through the aperture with standard D010 driver. Other drivers require above ceiling access.
- Distributed low voltage power system combines power, lighting, and controls with ease of installation.

### Connected Lighting System

Two WaveLinX connected solutions to choose from. Refer to WaveLinX system specifications and application guides for details.

#### WaveLinX PRO Tilemount Sensor Kit

- WaveLinX WPST tilemount sensor kit offers daylight dimming, PIR motion sensing, scene and zone configuration, automatic commissioning; and optional RLTS - Real Time Location Services available.

#### WaveLinX PRO Wireless Node

- WaveLinX PRO wireless node provides luminaire-level control with scene and zone configuration without an integrated sensor; Connects wirelessly with daylight dimming sensor and PIR motion sensor if desired. Use with 0-10V driver only

#### WaveLinX LITE Tilemount Sensor Kit

- WaveLinX LITE WLST tilemount sensor kit offers daylight dimming and PIR motion sensing, scene and grouping configuration.

### WaveLinX Tilemount Kits Application

- The WPST and WLST tilemount kits include a control module mounted on the luminaire junction box via 1/2" knock-out, and a tilemount sensor on 54-inch whip; for ceiling installation by direct-mount spring clips or via mounting bracket in octagon ceiling boxes.
- The WPST and WLST tilemount kits may be ordered as factory installed on the luminaire, or ordered separately as a field installed accessory kit.

### Code Compliance

- Thermally protected
- cULus Certified to UL 1598 / C22.2 No. 250.0 suitable for wet locations with downlight; damp location with wall wash and hyperbolic with covered ceiling
- EMI/RFI emissions per FCC 47CFR Part 18 Class B consumer limits.
- Optional City of Chicago environmental air (CCEA) marking for plenum applications.
- 1500 lumen and above are Non-IC rated - Insulation must be kept 3" from top and sides of housing. IC-rated up to 1000 lumens (except wall wash).
- RoHS Compliant. Photometric testing completed in accordance with IES LM 79 and TM-30 standards. Lumen maintenance projections in accordance with IES LM-80-08 and TM-21-11.
- Can be used to comply with California Energy Commission (CEC) Title 24 2016 & 2019 JA8 High Efficacy Lighting Requirements, reference Modernized Appliance Efficiency Database System (MAEDBS) for 2016 & 2019 JA8 High Efficacy Lighting.
- ENERGY STAR® certified, reference certified light fixtures database
- Options to meet Trade Agreements Act requirements

### Warranty

- Five year warranty [www.cooperlighting.com/legal](http://www.cooperlighting.com/legal)

## Energy Data

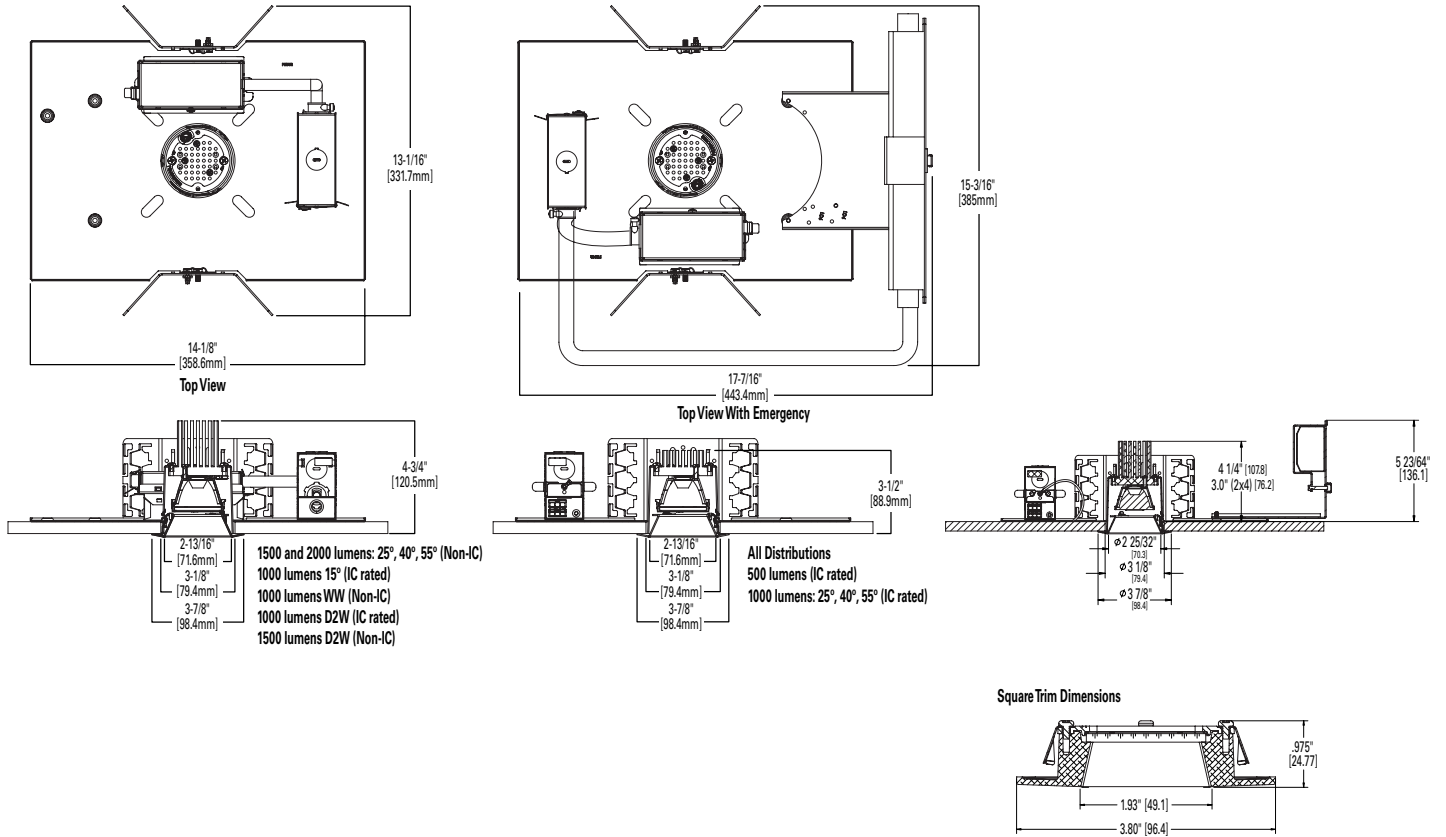
ENERGY DATA
Sound Rating: Class A standards
(Values at non-dimming line voltage)
Minimum Starting Temperature: -30°C (-22°F)
EMI/RFI: FCC Title 47 CFR, Part 15, Class B (Consumer)
Input Voltage: UNV (120V - 277V)
Power Factor: >0.90 (at nominal input 120-277 VAC & 100% of Rated Output Power)
Input Frequency: 50/60Hz

500 Lumen D010		1000 Lumen D010	
Input Power: 7.38W	THD: <14.4%	Input Power: 11W	THD: <13.8%
120V Input Current: 0.06A	277V Input Current: 0.03A	120V Input Current: 0.086A	277V Input Current: 0.042A
1500 Lumen D010		2000 Lumen D010	
Input Power: 15.05W	THD: <13.0%	Input Power: 21.2W	THD: <8.6%
120V Input Current: 0.13A	277V Input Current: 0.06A	120V Input Current: 0.18A	277V Input Current: 0.081A

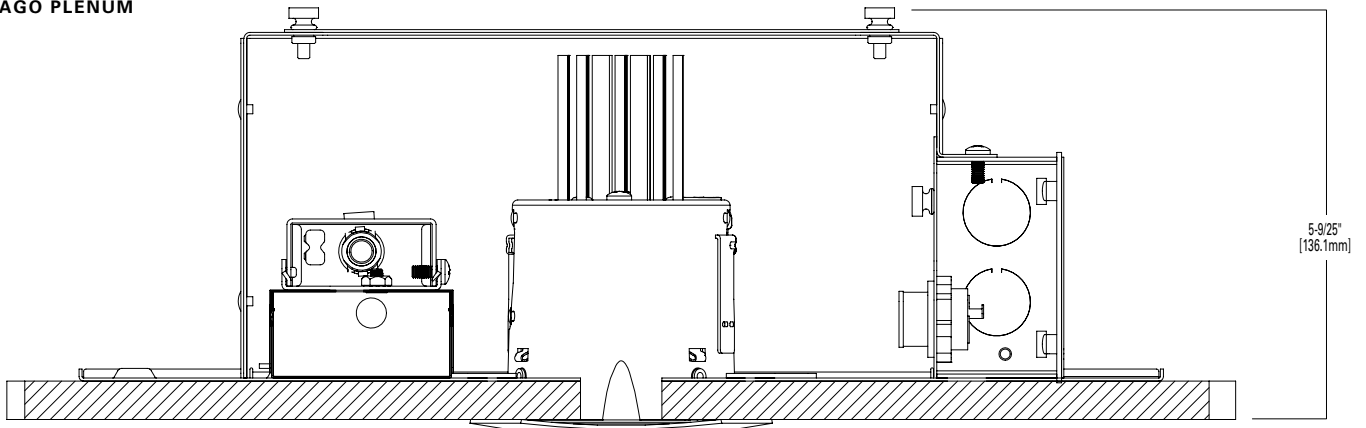
Lumens	120V		277V	
	Inrush (A)	Duration (ms)	Inrush (A)	Duration (ms)
500 Lumen D010	0.64	0.05	1.4	0.04
1000 Lumen D010	1.02	0.041	2.18	0.021
1500 Lumen D010	1.02	1.02	2.24	0.064
2000 Lumen D010	1.02	0.077	2.43	0.027

## Dimensional and Mounting Details

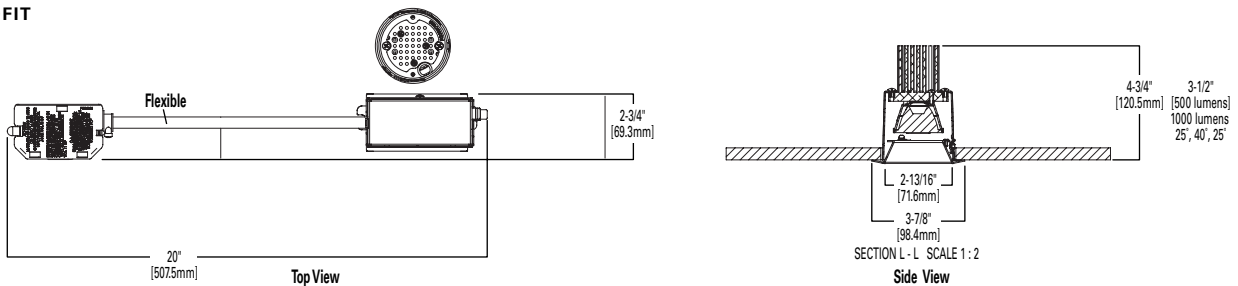
### NEW CONSTRUCTION



### CHICAGO PLENUM

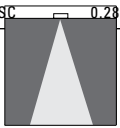
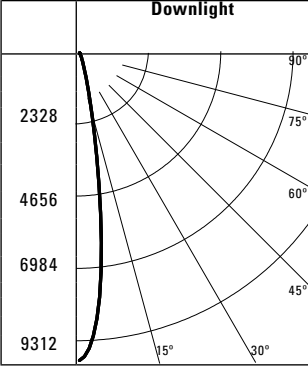
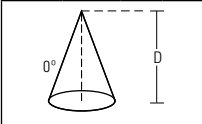
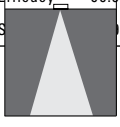
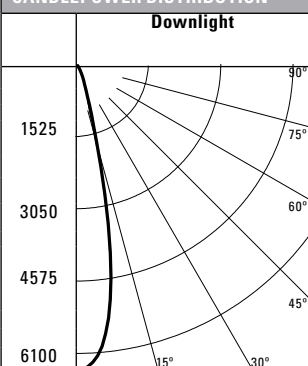
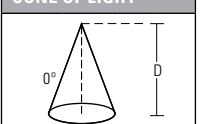
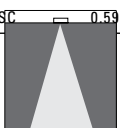
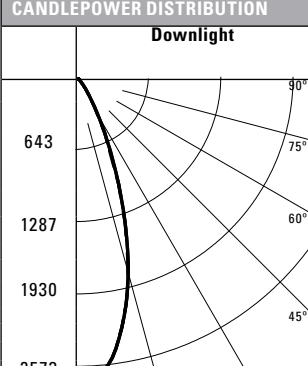
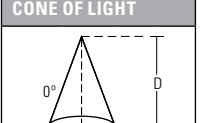
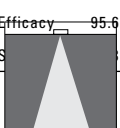
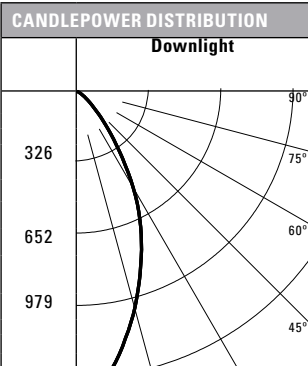
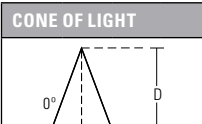


### RETROFIT



## Photometric Data

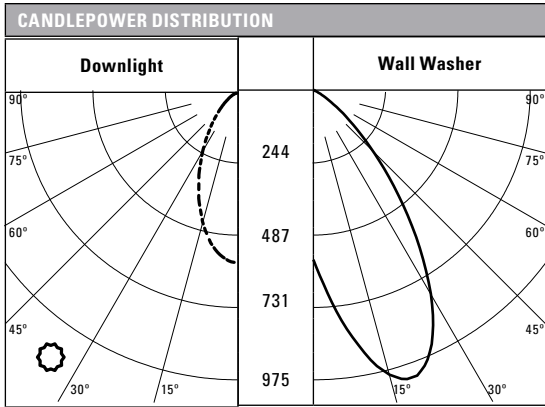
 View IES files

SPOT (15° BEAM)	CANDLEPOWER DISTRIBUTION	CONE OF LIGHT	CANDELA TABLE	ZONAL LUMEN SUMMARY	LUMINANCE																																																																																	
<b>Test Number</b> P264029 <b>Housing</b> LD2B10D010 <b>Module</b> EU2B1010SP158035 <b>Trim</b> 2LBD*LI <b>Lumens</b> 974 <b>Efficacy</b> 94.6 Lm/W 		 <table border="1"> <thead> <tr> <th>D</th> <th>FC</th> <th>L</th> <th>W</th> </tr> </thead> <tbody> <tr> <td>4'</td> <td>582.2</td> <td>1</td> <td>1</td> </tr> <tr> <td>7'</td> <td>190.1</td> <td>1.8</td> <td>1.8</td> </tr> <tr> <td>9'</td> <td>115</td> <td>2.4</td> <td>2.4</td> </tr> <tr> <td>13'</td> <td>55.1</td> <td>3.6</td> <td>3.6</td> </tr> <tr> <td>16'</td> <td>36.4</td> <td>4.4</td> <td>4.4</td> </tr> </tbody> </table>	D	FC	L	W	4'	582.2	1	1	7'	190.1	1.8	1.8	9'	115	2.4	2.4	13'	55.1	3.6	3.6	16'	36.4	4.4	4.4	<table border="1"> <thead> <tr> <th>Degrees Vertical</th> <th>Candela</th> </tr> </thead> <tbody> <tr><td>0</td><td>9316</td></tr> <tr><td>5</td><td>7438</td></tr> <tr><td>15</td><td>976</td></tr> <tr><td>25</td><td>141</td></tr> <tr><td>35</td><td>30</td></tr> <tr><td>45</td><td>7</td></tr> <tr><td>55</td><td>2</td></tr> <tr><td>65</td><td>1</td></tr> <tr><td>75</td><td>0</td></tr> <tr><td>85</td><td>0</td></tr> <tr><td>90</td><td>0</td></tr> </tbody> </table>	Degrees Vertical	Candela	0	9316	5	7438	15	976	25	141	35	30	45	7	55	2	65	1	75	0	85	0	90	0	<table border="1"> <thead> <tr> <th>Zone</th> <th>Lumens</th> <th>% Fixture</th> </tr> </thead> <tbody> <tr><td>0-30</td><td>945</td><td>97</td></tr> <tr><td>0-40</td><td>965</td><td>99.1</td></tr> <tr><td>0-60</td><td>973</td><td>99.9</td></tr> <tr><td>0-90</td><td>974</td><td>100</td></tr> <tr><td>90-180</td><td>0</td><td>0</td></tr> <tr><td>0-180</td><td>974</td><td>100</td></tr> </tbody> </table>	Zone	Lumens	% Fixture	0-30	945	97	0-40	965	99.1	0-60	973	99.9	0-90	974	100	90-180	0	0	0-180	974	100	<table border="1"> <thead> <tr> <th>Average Candela Degrees</th> <th>Average 0° Luminance</th> </tr> </thead> <tbody> <tr><td>45</td><td>4884</td></tr> <tr><td>55</td><td>1720</td></tr> <tr><td>65</td><td>1167</td></tr> <tr><td>75</td><td>0</td></tr> <tr><td>85</td><td>0</td></tr> </tbody> </table>	Average Candela Degrees	Average 0° Luminance	45	4884	55	1720	65	1167	75	0	85	0
D	FC	L	W																																																																																			
4'	582.2	1	1																																																																																			
7'	190.1	1.8	1.8																																																																																			
9'	115	2.4	2.4																																																																																			
13'	55.1	3.6	3.6																																																																																			
16'	36.4	4.4	4.4																																																																																			
Degrees Vertical	Candela																																																																																					
0	9316																																																																																					
5	7438																																																																																					
15	976																																																																																					
25	141																																																																																					
35	30																																																																																					
45	7																																																																																					
55	2																																																																																					
65	1																																																																																					
75	0																																																																																					
85	0																																																																																					
90	0																																																																																					
Zone	Lumens	% Fixture																																																																																				
0-30	945	97																																																																																				
0-40	965	99.1																																																																																				
0-60	973	99.9																																																																																				
0-90	974	100																																																																																				
90-180	0	0																																																																																				
0-180	974	100																																																																																				
Average Candela Degrees	Average 0° Luminance																																																																																					
45	4884																																																																																					
55	1720																																																																																					
65	1167																																																																																					
75	0																																																																																					
85	0																																																																																					
<b>Test Number</b> P218711 <b>Housing</b> LD2B10D010 <b>Module</b> EU2B0510N-FL258035 <b>Trim</b> 2LBD*LI <b>Lumens</b> 1026 <b>Efficacy</b> 99.6 Lm/W 		 <table border="1"> <thead> <tr> <th>D</th> <th>FC</th> <th>L</th> <th>W</th> </tr> </thead> <tbody> <tr> <td>4'</td> <td>382</td> <td>1.4</td> <td>1.4</td> </tr> <tr> <td>7'</td> <td>125</td> <td>2.6</td> <td>2.6</td> </tr> <tr> <td>9'</td> <td>75</td> <td>3.4</td> <td>3.4</td> </tr> <tr> <td>13'</td> <td>36</td> <td>5</td> <td>5</td> </tr> <tr> <td>16'</td> <td>24</td> <td>6</td> <td>6</td> </tr> </tbody> </table>	D	FC	L	W	4'	382	1.4	1.4	7'	125	2.6	2.6	9'	75	3.4	3.4	13'	36	5	5	16'	24	6	6	<table border="1"> <thead> <tr> <th>Degrees Vertical</th> <th>Candela</th> </tr> </thead> <tbody> <tr><td>0</td><td>6104</td></tr> <tr><td>5</td><td>5611</td></tr> <tr><td>15</td><td>1236</td></tr> <tr><td>25</td><td>229</td></tr> <tr><td>35</td><td>51</td></tr> <tr><td>45</td><td>7</td></tr> <tr><td>55</td><td>1</td></tr> <tr><td>65</td><td>0</td></tr> <tr><td>75</td><td>0</td></tr> <tr><td>85</td><td>0</td></tr> <tr><td>90</td><td>0</td></tr> </tbody> </table>	Degrees Vertical	Candela	0	6104	5	5611	15	1236	25	229	35	51	45	7	55	1	65	0	75	0	85	0	90	0	<table border="1"> <thead> <tr> <th>Zone</th> <th>Lumens</th> <th>% Fixture</th> </tr> </thead> <tbody> <tr><td>0-30</td><td>987</td><td>96.2</td></tr> <tr><td>0-40</td><td>1019</td><td>99.3</td></tr> <tr><td>0-60</td><td>1026</td><td>100</td></tr> <tr><td>0-90</td><td>1026</td><td>100</td></tr> <tr><td>90-180</td><td>0</td><td>0</td></tr> <tr><td>0-180</td><td>1026</td><td>100</td></tr> </tbody> </table>	Zone	Lumens	% Fixture	0-30	987	96.2	0-40	1019	99.3	0-60	1026	100	0-90	1026	100	90-180	0	0	0-180	1026	100	<table border="1"> <thead> <tr> <th>Average Candela Degrees</th> <th>Average 0° Luminance</th> </tr> </thead> <tbody> <tr><td>45</td><td>3836</td></tr> <tr><td>55</td><td>676</td></tr> <tr><td>65</td><td>0</td></tr> <tr><td>75</td><td>0</td></tr> <tr><td>85</td><td>0</td></tr> </tbody> </table>	Average Candela Degrees	Average 0° Luminance	45	3836	55	676	65	0	75	0	85	0
D	FC	L	W																																																																																			
4'	382	1.4	1.4																																																																																			
7'	125	2.6	2.6																																																																																			
9'	75	3.4	3.4																																																																																			
13'	36	5	5																																																																																			
16'	24	6	6																																																																																			
Degrees Vertical	Candela																																																																																					
0	6104																																																																																					
5	5611																																																																																					
15	1236																																																																																					
25	229																																																																																					
35	51																																																																																					
45	7																																																																																					
55	1																																																																																					
65	0																																																																																					
75	0																																																																																					
85	0																																																																																					
90	0																																																																																					
Zone	Lumens	% Fixture																																																																																				
0-30	987	96.2																																																																																				
0-40	1019	99.3																																																																																				
0-60	1026	100																																																																																				
0-90	1026	100																																																																																				
90-180	0	0																																																																																				
0-180	1026	100																																																																																				
Average Candela Degrees	Average 0° Luminance																																																																																					
45	3836																																																																																					
55	676																																																																																					
65	0																																																																																					
75	0																																																																																					
85	0																																																																																					
<b>Test Number</b> P218754 <b>Housing</b> LD2B10D010 <b>Module</b> EU2B0510FL408035 <b>Trim</b> 2LBD*LI <b>Lumens</b> 1041 <b>Efficacy</b> 101 Lm/W 		 <table border="1"> <thead> <tr> <th>D</th> <th>FC</th> <th>L</th> <th>W</th> </tr> </thead> <tbody> <tr> <td>4'</td> <td>161</td> <td>2.2</td> <td>2.2</td> </tr> <tr> <td>7'</td> <td>53</td> <td>4</td> <td>4</td> </tr> <tr> <td>9'</td> <td>32</td> <td>5.2</td> <td>5.2</td> </tr> <tr> <td>13'</td> <td>15</td> <td>7.6</td> <td>7.6</td> </tr> <tr> <td>16'</td> <td>10</td> <td>9.4</td> <td>9.4</td> </tr> </tbody> </table>	D	FC	L	W	4'	161	2.2	2.2	7'	53	4	4	9'	32	5.2	5.2	13'	15	7.6	7.6	16'	10	9.4	9.4	<table border="1"> <thead> <tr> <th>Degrees Vertical</th> <th>Candela</th> </tr> </thead> <tbody> <tr><td>0</td><td>2577</td></tr> <tr><td>5</td><td>2467</td></tr> <tr><td>15</td><td>1626</td></tr> <tr><td>25</td><td>581</td></tr> <tr><td>35</td><td>120</td></tr> <tr><td>45</td><td>19</td></tr> <tr><td>55</td><td>4</td></tr> <tr><td>65</td><td>0</td></tr> <tr><td>75</td><td>0</td></tr> <tr><td>85</td><td>0</td></tr> <tr><td>90</td><td>0</td></tr> </tbody> </table>	Degrees Vertical	Candela	0	2577	5	2467	15	1626	25	581	35	120	45	19	55	4	65	0	75	0	85	0	90	0	<table border="1"> <thead> <tr> <th>Zone</th> <th>Lumens</th> <th>% Fixture</th> </tr> </thead> <tbody> <tr><td>0-30</td><td>938</td><td>90.2</td></tr> <tr><td>0-40</td><td>1020</td><td>98.0</td></tr> <tr><td>0-60</td><td>1040</td><td>99.9</td></tr> <tr><td>0-90</td><td>1041</td><td>100</td></tr> <tr><td>90-180</td><td>0</td><td>0</td></tr> <tr><td>0-180</td><td>1041</td><td>100</td></tr> </tbody> </table>	Zone	Lumens	% Fixture	0-30	938	90.2	0-40	1020	98.0	0-60	1040	99.9	0-90	1041	100	90-180	0	0	0-180	1041	100	<table border="1"> <thead> <tr> <th>Average Candela Degrees</th> <th>Average 0° Luminance</th> </tr> </thead> <tbody> <tr><td>45</td><td>10412</td></tr> <tr><td>55</td><td>2702</td></tr> <tr><td>65</td><td>0</td></tr> <tr><td>75</td><td>0</td></tr> <tr><td>85</td><td>0</td></tr> </tbody> </table>	Average Candela Degrees	Average 0° Luminance	45	10412	55	2702	65	0	75	0	85	0
D	FC	L	W																																																																																			
4'	161	2.2	2.2																																																																																			
7'	53	4	4																																																																																			
9'	32	5.2	5.2																																																																																			
13'	15	7.6	7.6																																																																																			
16'	10	9.4	9.4																																																																																			
Degrees Vertical	Candela																																																																																					
0	2577																																																																																					
5	2467																																																																																					
15	1626																																																																																					
25	581																																																																																					
35	120																																																																																					
45	19																																																																																					
55	4																																																																																					
65	0																																																																																					
75	0																																																																																					
85	0																																																																																					
90	0																																																																																					
Zone	Lumens	% Fixture																																																																																				
0-30	938	90.2																																																																																				
0-40	1020	98.0																																																																																				
0-60	1040	99.9																																																																																				
0-90	1041	100																																																																																				
90-180	0	0																																																																																				
0-180	1041	100																																																																																				
Average Candela Degrees	Average 0° Luminance																																																																																					
45	10412																																																																																					
55	2702																																																																																					
65	0																																																																																					
75	0																																																																																					
85	0																																																																																					
<b>Test Number</b> P218801 <b>Housing</b> LD2B10D010 <b>Module</b> EU2B0510W-FL558035 <b>Trim</b> 2LBD*LI <b>Lumens</b> 985 <b>Efficacy</b> 95.6 Lm/W 		 <table border="1"> <thead> <tr> <th>D</th> <th>FC</th> <th>L</th> <th>W</th> </tr> </thead> <tbody> <tr> <td>4'</td> <td>82</td> <td>2.8</td> <td>2.8</td> </tr> <tr> <td>7'</td> <td>27</td> <td>5</td> <td>5</td> </tr> <tr> <td>9'</td> <td>16</td> <td>6.6</td> <td>6.6</td> </tr> <tr> <td>13'</td> <td>8</td> <td>9.4</td> <td>9.4</td> </tr> <tr> <td>16'</td> <td>5</td> <td>11.6</td> <td>11.6</td> </tr> </tbody> </table>	D	FC	L	W	4'	82	2.8	2.8	7'	27	5	5	9'	16	6.6	6.6	13'	8	9.4	9.4	16'	5	11.6	11.6	<table border="1"> <thead> <tr> <th>Degrees Vertical</th> <th>Candela</th> </tr> </thead> <tbody> <tr><td>0</td><td>1309</td></tr> <tr><td>5</td><td>1250</td></tr> <tr><td>15</td><td>959</td></tr> <tr><td>25</td><td>644</td></tr> <tr><td>35</td><td>313</td></tr> <tr><td>45</td><td>105</td></tr> <tr><td>55</td><td>28</td></tr> <tr><td>65</td><td>0</td></tr> <tr><td>75</td><td>0</td></tr> <tr><td>85</td><td>0</td></tr> <tr><td>90</td><td>0</td></tr> </tbody> </table>	Degrees Vertical	Candela	0	1309	5	1250	15	959	25	644	35	313	45	105	55	28	65	0	75	0	85	0	90	0	<table border="1"> <thead> <tr> <th>Zone</th> <th>Lumens</th> <th>% Fixture</th> </tr> </thead> <tbody> <tr><td>0-30</td><td>674</td><td>68.5</td></tr> <tr><td>0-40</td><td>873</td><td>88.7</td></tr> <tr><td>0-60</td><td>984</td><td>99.9</td></tr> <tr><td>0-90</td><td>985</td><td>100</td></tr> <tr><td>90-180</td><td>0</td><td>0</td></tr> <tr><td>0-180</td><td>985</td><td>100</td></tr> </tbody> </table>	Zone	Lumens	% Fixture	0-30	674	68.5	0-40	873	88.7	0-60	984	99.9	0-90	985	100	90-180	0	0	0-180	985	100	<table border="1"> <thead> <tr> <th>Average Candela Degrees</th> <th>Average 0° Luminance</th> </tr> </thead> <tbody> <tr><td>45</td><td>57541</td></tr> <tr><td>55</td><td>18916</td></tr> <tr><td>65</td><td>0</td></tr> <tr><td>75</td><td>0</td></tr> <tr><td>85</td><td>0</td></tr> </tbody> </table>	Average Candela Degrees	Average 0° Luminance	45	57541	55	18916	65	0	75	0	85	0
D	FC	L	W																																																																																			
4'	82	2.8	2.8																																																																																			
7'	27	5	5																																																																																			
9'	16	6.6	6.6																																																																																			
13'	8	9.4	9.4																																																																																			
16'	5	11.6	11.6																																																																																			
Degrees Vertical	Candela																																																																																					
0	1309																																																																																					
5	1250																																																																																					
15	959																																																																																					
25	644																																																																																					
35	313																																																																																					
45	105																																																																																					
55	28																																																																																					
65	0																																																																																					
75	0																																																																																					
85	0																																																																																					
90	0																																																																																					
Zone	Lumens	% Fixture																																																																																				
0-30	674	68.5																																																																																				
0-40	873	88.7																																																																																				
0-60	984	99.9																																																																																				
0-90	985	100																																																																																				
90-180	0	0																																																																																				
0-180	985	100																																																																																				
Average Candela Degrees	Average 0° Luminance																																																																																					
45	57541																																																																																					
55	18916																																																																																					
65	0																																																																																					
75	0																																																																																					
85	0																																																																																					

## Photometric Data

[View IES files](#)

WALL WASH	
Test Number	P14828
Housing	LD2B10D010
Module	EU2B1010WW8035
Trim	2LBSW*XX
Lumens	742
Efficacy	72 Lm/W



LEGEND: 0-deg: - - - - -  
90-deg: \_\_\_\_\_

DD	3' FROM WALL (Distance From Fixture Along Wall)				2.5' FROM WALL (Spacing Between Fixtures)						3' FROM WALL (Spacing Between Fixtures)					
	●	1'	2'	3'	●	3'	●	●	4'	●	●	3'	●	●	4'	●
1'	0.5	0.5	0.3	0.2	1.3	1.1	1.3	1.2	0.7	1.2	0.7	0.8	0.7	0.6	0.6	0.6
2'	4.3	3.3	1.4	0.5	10.7	8.7	10.7	10.2	4.9	10.2	4.8	4.6	4.8	4.5	2.9	4.5
3'	10.1	8.1	4.2	1.6	19.2	18	19.2	17.8	11.5	17.8	11.8	12.1	11.8	10.7	8.3	10.7
4'	12.2	10.2	5.9	2.8	19.3	19.9	19.3	17.5	14	17.5	15.1	16.1	15.1	13.4	11.9	13.4
5'	10.9	9.4	6.1	3.3	15.6	16.9	15.6	13.8	12.8	13.8	14.2	15.7	14.2	12.5	12.3	12.5
6'	8.6	7.6	5.4	3.2	11.7	12.9	11.7	10.2	10.4	10.2	11.8	13.2	11.8	10.3	10.7	10.3
7'	6.4	5.8	4.4	2.9	8.5	9.5	8.5	7.5	8	7.5	9.2	10.4	9.2	8.1	8.8	8.1
8'	4.7	4.4	3.5	2.4	6.3	7	6.3	5.5	6	5.5	7.1	7.9	7.1	6.3	6.9	6.3
9'	3.4	3.3	2.7	2	4.6	5.1	4.6	4.1	4.6	4.1	5.4	6	5.4	4.8	5.4	4.8
10'	2.6	2.4	2.1	1.6	3.5	3.8	3.5	3.1	3.5	3.1	4.2	4.6	4.2	3.7	4.2	3.7

## Connected Solutions

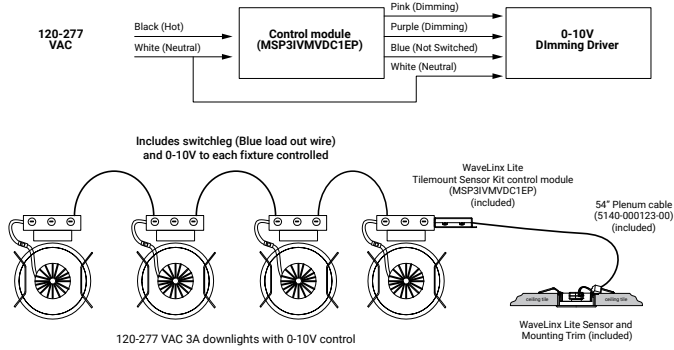
### WaveLinX LITE - WLST Tilemount Sensor



- Intuitive Android™ or Apple® iOS® app for basic system code compliant set up and configuration via Bluetooth
- Up to 28 unique areas per project site (WaveLinX LITE Bluetooth network)
- Up to 50 devices for an area, any one of 16 control zones, up to 6 occupancy sets, and custom lighting scenes
- Automatic occupancy or vacancy, sensor sensitivity, daylight dimming, etc. configurable through the app
- Refer to the WaveLinX system specifications for details



#### WaveLinX LITE WLST Tilemount Wiring Diagram



#### WaveLinX LITE Bluetooth Enabled System



### WaveLinX PRO Wireless – WPST Tilemount Sensor



- WaveLinX PRO Wireless functionality configures zones and customizes settings from one secure mobile app
- Automatic code commissioning that meets the strictest codes
- Fixtures and sensors integrate with Wireless Area Controller, Wall Stations, and Control Devices
- Stand-Along Offices or Entire Building Network Installations

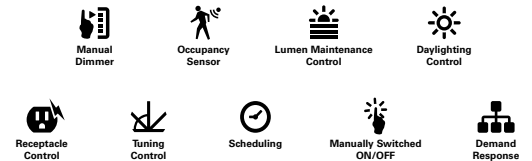
**Downlights with tilemount sensor wireless communication**  
Highly efficient LED fixtures

**WaveLinX Area Controller**  
Provides centralized coordination of multiple area control options

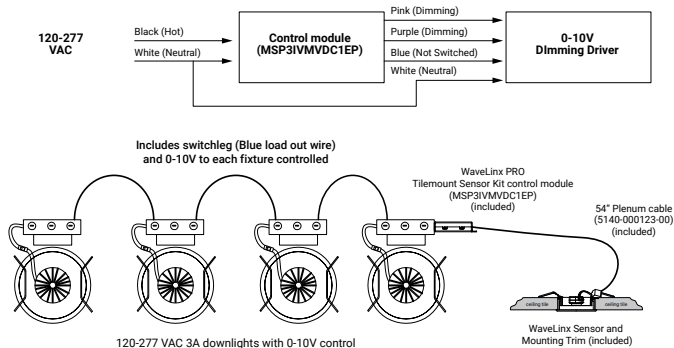
**Wireless Wall Station/Receptacle**  
Provides customized wireless control of each area

**Mobile Applications**  
Provides personalized, local control from a tablet or smartphone

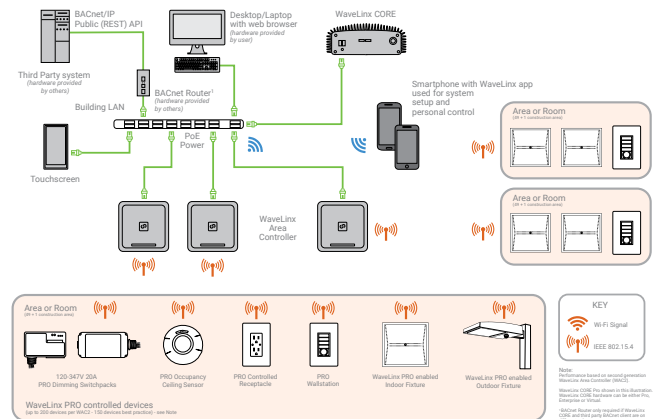
#### WaveLinX mobile app settings



#### WaveLinX PRO WPST Tilemount Wiring Diagram



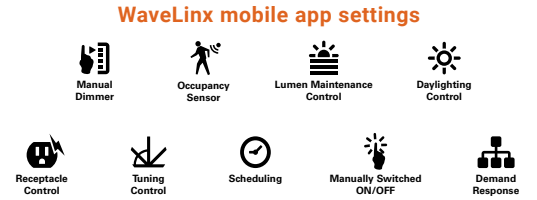
#### WaveLinX CORE Building Management Integration



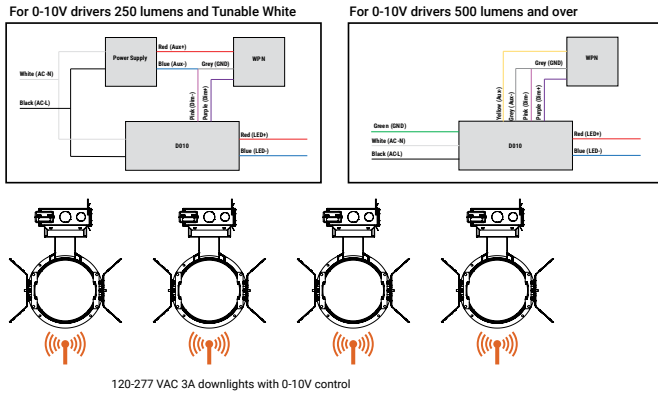
## Connected Solutions

### WaveLinx PRO Wireless Node - WPN

- WaveLinx Wireless functionality configures zones and customizes settings from one secure mobile app
- Automatic code commissioning that meets the strictest codes
- Fixtures and sensors integrate with WaveLinx Area Controller, Wall Stations, and Control Devices
- Stand-Alone Offices or Entire Building Network Installations



### WaveLinx PRO Wireless Node (WPN) Wiring Diagram



### WaveLinx CORE Building Management Integration

