

# PORTFOLIO®

## INSTALLATION INSTRUCTIONS

IMPORTANT : READ CAREFULLY BEFORE INSTALLING FIXTURE. RETAIN FOR FUTURE REFERENCE

## 6" and 7" Decorative Trims

705501

10/24/12

page 1 of 2

The decorative trims are to be used as finishing elements with 6" and 7" Portfolio recessed fixtures. The recessed lighting housings will need to be in place in the ceiling first before installing the trims. Decorative trims are to be used with **NON SELF FLANGED reflectors only**.

For the following trims: (The DT-6- catalog number changes to DT-7- for the 7" trims and DTC6 for 6-3/8" Compact Fluorescent)

DT-6-RC	DT-6-R2	DT-6-CR08	DT-6-SC2	DT-6-SC0SS8	DT-6-3RG
DT-6-RG	DT-6-R8	DT-6-CR18	DT-6-SC8	DT-6-3R0	
DT-6-R0	DT-6-CR01	DT-6-SC0	DT-6-SC0SS1	DT-6-3R2	
DT-6-R1	DT-6-CR02	DT-6-SC1	DT-6-SC0SS2	DT-6-3RC	

### Decorative Trim Installation

**Step 1.** Remove complete decorative trim assembly from carton. If installer is using an existing reflector and polymer trim ring; remove reflector and trim ring from fixture. Discard polymer ring.

**Step 2.** Compress springs (4) inward so that springs and brackets pass through die cast ring aperture (Fig.1). Push upward so that metal trim ring collar inserts into die cast ring. Align metal trim ring so that slots clear internal projections of die cast plaster ground ring. Trim ring flange should lay flush against ceiling.

**Step 3.** While holding metal trim ring in place against ceiling, use 1/4" nut driver to loosen 4 screws at bracket(s). Slide brackets so that the flat extended surfaces rest on the top surface of plaster ground. Tighten screws.

**Step 4.** Insert reflector through opening (Fig.2) and push upwards until keyhole slots at top of reflector engage with screws at top of housing. Rotate slightly clockwise to lock into place. Tighten both screws.

Figure 1

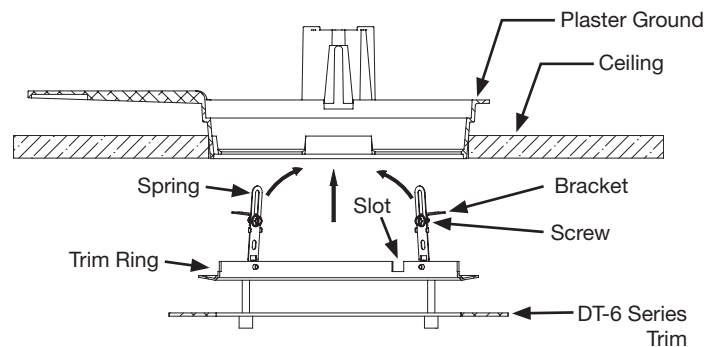
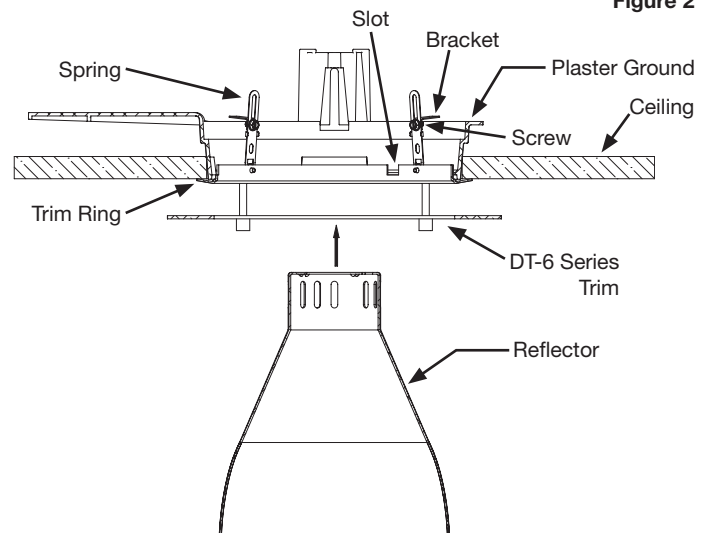


Figure 2



ADP121825

# PORTFOLIO®

## INSTALLATION INSTRUCTIONS

IMPORTANT : READ CAREFULLY BEFORE INSTALLING FIXTURE. RETAIN FOR FUTURE REFERENCE

## 6" and 7" Decorative Trims

705501

10/24/12

page 2 of 2

For the following trims:

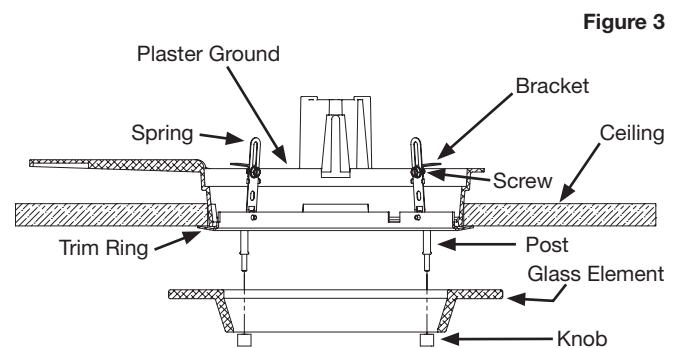
DT-6-LF0	DT-6-R2F0	DT-6-CR02F0	DT-6-SC1F0	DT-6-SC0SS1F0
DT-6-LF1	DT-6-R2F1	DT-6-CR08F0	DT-6-SC2F0	DT-6-SC0SS2F0
DT-6-R0F0	DT-6-R8F0	DT-6-CR18F0	DT-6-SC2F1	DT-6-SC0SS8F0
DT-6-R0F1	DT-6-R8F1	DT-6-SC0F0	DT-6-SC8F0	DT-6-A0
DT-6-R1F0	DT-6-CR01F0	DT-6-SC0F1	DT-6-SC8F1	DT-6-L0

### Follow STEP 1

**Step 2.** While supporting the trim elements, remove the 4 knobs on the decorative trim. Carefully remove the acrylic and glass elements. (Fig.3)

### Follow STEPS 3 and 4

**Step 5.** Insert glass and acrylic elements through the 4 posts extending down from the trim ring. Hold in place and tighten the 4 screws.



ADP121825