

DESCRIPTION

A series of decorative trim accessories to be used with 6" Portfolio LED downlight reflectors. The matte white flange replaces the existing polymer trim ring, and is clamped directly to the recessed plaster frame, providing a secure mounting. Not for use with self flanged reflectors. No assembly of ring is required, reflector fits through the aperture for quick installation.

Catalog #		Type
Project		
Comments		Date
Prepared by		

SPECIFICATION FEATURES

Decorative Trim

Decorative ring is acrylic, 0.250" thick, with upper surface frosted to diffuse the light. Edge of ring is polished to impart a clean look to the finished element. Single ring is available in a choice of colors.

Stems

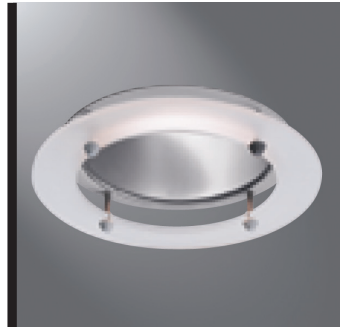
Four, satin finish aluminum posts and decorative knobs are anodized clear to retain appearance over life.

Mounting Flange

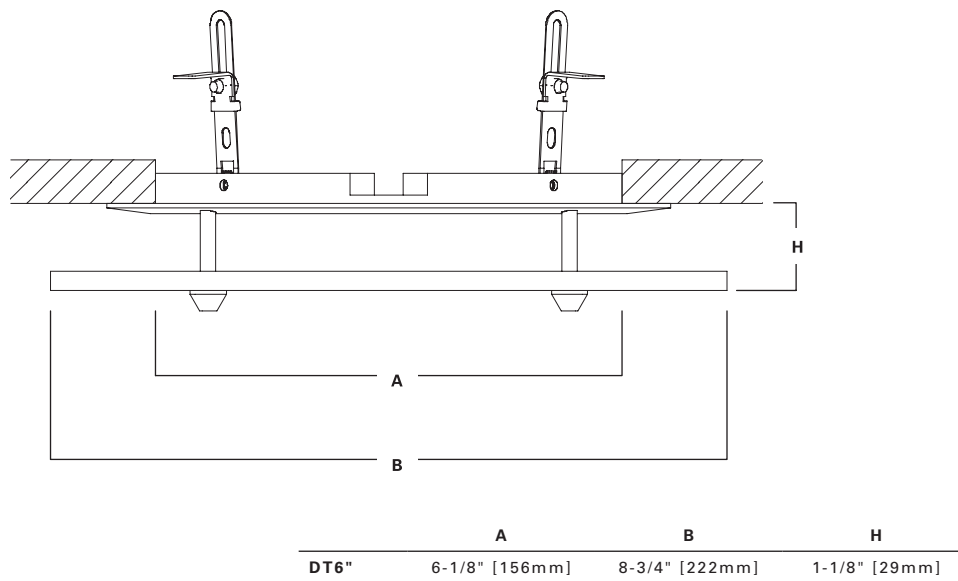
Precision die formed steel with matte white finish, matches metal trim rings in the Portfolio family. Four steel threaded studs support weight of decorative element. Four hex head bolts tighten the flange securely and quickly to the recessed die cast plaster flange via pre installed mounting hardware. For use in ceilings up to 2" thick.

Labels

UL listed and C.S.A. certified, IBEW union made. To be used with Portfolio Product only, other installations will void warranty.

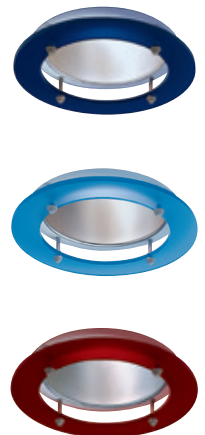


Any Recessed Portfolio Downlight



DT-6-R

Solid Ring
Decorative Trim



ORDERING INFORMATION

SAMPLE NUMBER: DT-6-R1

Complete unit consists of size, style and color.

Size	Style	Color
DT-6=6" for 5-5/8" aperture	R=Single Ring	0=Matte 1=Cobalt Blue 2=Aqua Blue 8=Ruby Red