

Project		Catalog #		Type	
Prepared by		Notes		Date	



Portfolio

LERS6C/LESQS6C/LSRYMS6C/ LSSQYMS6C Cylinders

6" Round and Square Shallow Cylinder
Surface, Ceiling, Wall, Up/Down, Yoke,
and Stem Mount

Typical Applications

Office • Education • Healthcare • Hospitality • Retail • Residential

Interactive Menu

- Order Information page 2
- Product Specification page 4
- Energy Data page 5
- Photometric Data page 6
- Connected Systems page 9
- Product Warranty

Product Certification



Control Compatibility



Product Features



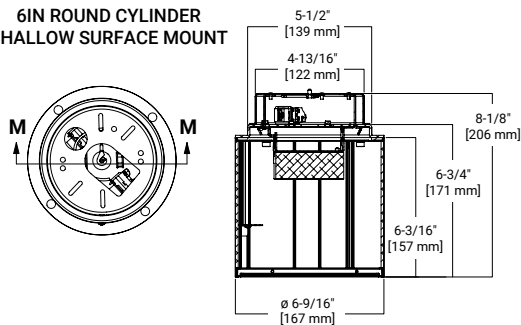
Top Product Features

- 250 to 4,000 lumens; Offered in 90 and 97 CRI; Downlight
- Round or square surface-mount cylinders; Ceiling, wall, stem, up/down, yoke mount adjustable, LuxWire power over cable
- Extruded aluminum housing; Matte Black, White, Bronze and Silver paint finishes
- 6 color temperatures: 2400K, 2700K, 3000K, 3500K, 4000K and 5000K CCT
- Downlight or 30° adjustable reflector
- Options to meet Trade Agreements Act requirements

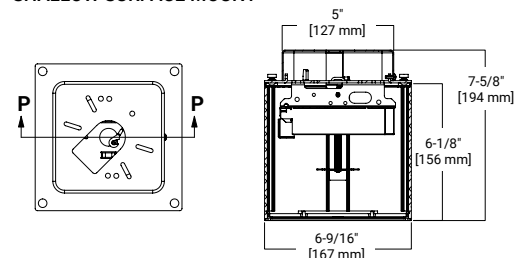
Dimensional and Mounting Details

additional product diagrams

6IN ROUND CYLINDER
SHALLOW SURFACE MOUNT



6IN SQUARE CYLINDER
SHALLOW SURFACE MOUNT



Order Information

SAMPLE ORDER NUMBER: **LERS6C10D010TRP**

Domestic Preferences ⁽³⁰⁾	Cylinder	Lumens	Driver	Remote ⁽⁸⁾	Finish ⁽¹⁰⁾
<p>[Blank]=Standard TAA= Trade Agreements Act</p>	<p>Ceiling surface mount LERS6C=6-inch round surface mount LESQS6C= 6-inch square surface mount square aperture ⁽¹⁾ LESQRS6C= 6-inch square surface mount round aperture ⁽²⁾ Ceiling surface mount Square with conduit canopy (for round use Conduit Canopy Kit accessory) LESQSMS6C = 6-inch square surface mount square aperture with surface mount conduit canopy ⁽¹⁾ LESQRSMS6C = 6-inch square surface mount, round aperture with surface mount conduit canopy ⁽²⁾ Wall mount Downlight LERWMS6C= 6-inch round wall mount LESQRWMS6C= 6-inch square wall mount round aperture ⁽²⁾ LESQWMS6C= 6-inch square wall mount square aperture ⁽¹⁾ Wall mount Up/down LERUDS6C= 6-inch round wall mount up/down ⁽⁴⁾ LESQUDS6C= 6-inch square wall mount up/down square aperture ⁽²⁾ LESQRUDS6C= 6-inch square wall mount up/down round aperture ⁽⁴⁾ Yoke mount LERYMS6C = 6-inch round yoke mount ⁽²⁴⁾ LESQYMS6C = 6-inch square yoke mount square aperture ^{(1) (24)} LESQRYS6C = 6-inch square yoke mount round aperture ^{(2) (24)}</p>	<p>02=250 lumens 05=500 lumens 08=800 lumens 10=1000 lumens 15=1500 lumens 20=2000 lumens 25=2500 lumens 30=3000 lumens 35=3500 lumens 40=4000 lumens</p>	<p>D010=0-10V Dimming, 1% to 100%, 120V-277V 3D010=0-10V Dimming, 1% to 100%, 347V, 800-3500 Lumens (250, 500, 4000 Lumens require a Remote Driver) D010TR=0-10V (120-277V) or line voltage (120V) dimming, 5-100%; 1 driver: 250 to 3500 / 2 drivers: (Downlight with Remote Driver only): 4000 Lumens DE010=0-10V Linear Dimming, 0% to 100%, 120V-277V, 500-4000 lumens D5LT=Fifth Light® DALI DT6 Logarithmic Dimming, 0% to 100%, 120V-277V, 500-4000 Lumens DMX=DMX/RDM Logarithmic Dimming, 0% to 100%, 120V-277V, 800-4000 lumens ⁽⁶⁾ DMXS=DMX/RDM Logarithmic Dimming, 0% to 100%, 120V-277V, with RJ45 connection, 800-4000 lumens ⁽⁶⁾ DLE=Lutron Ecosystem dimming 1% to 100%, 120-277V; 1 driver: 800 to 3500 Lumens / 2 drivers: (Downlight with Remote Driver only): 4000 Lumens DLV=Low Voltage System, 800-3000 lumens</p>	<p>blank=Integral driver R=Remote driver ⁽⁹⁾</p>	<p>P=White MB=Matte Black SL=Silver BZ=Bronze</p>

SAMPLE ORDER NUMBER: **EC6C10259035**

Domestic Preferences ⁽³⁰⁾	Power Module	Lumen Levels ⁽¹⁵⁾	Color
<p>[Blank]=Standard TAA= Trade Agreements Act</p>	<p>EC6C=6-inch cylinder light engine</p>	<p>0208=250, 500, 800 lumens (For use with D010 and D010TR; min 500 lumen with DE010 and D5LT; min 800 lumens with DLVP, Lutron and DMX) 1025=1000, 1500, 2000 or 2500 Lumens 3035=3000, 3500 lumens (For use with Lutron 3000-3500, DLVP 3000 lumens, DMX, D010, D010TR, D5LT and DE010 3000-3500) 4060=4000 lumens Two LEDs for cylinders with two drivers 4080=4000 lumens</p>	<p>90 CRI 9024= 90CRI, 2400K 9027= 90CRI, 2700K 9030= 90CRI, 3000K 9035= 90CRI, 3500K 9040= 90CRI, 4000K 9050= 90CRI, 5000K</p>
	<p>ECA6C=6-inch cylinder adjustable light engine</p>	<p>0235=250, 500, 800, 1000, 1500, 2000, 2500, 3000, & 3500 lumens (For use with D010 and D010TR; min 500 lumen with DE010 and D5LT; min 800 lumens with Lutron and DMX; DLVP 800-3000 lumens)</p>	

SAMPLE ORDER NUMBER: **6LBSS3LI**

Domestic Preferences	Trim	Reflector	Finish
<p>[Blank]=Standard BAA=Buy American Act (SS3 spun trim only)</p>	<p>6LB=6" Reflector</p>	<p>SS3=Round shallow spun aluminum SCS3=Round shallow die cast SCSSQ3=Square shallow die cast</p>	<p>LI=Specular Clear ⁽¹⁷⁾ H=Semi-Specular Clear ⁽¹⁷⁾ WMH=Warm Haze ⁽¹⁷⁾ WH=Wheat ⁽¹⁷⁾ GPH=Graphite Haze ⁽¹⁷⁾ B=Specular Black ⁽¹⁷⁾ MW=Matte White MB=Matte Black ⁽¹⁹⁾ MMS=Matte Metallic Silver ⁽¹⁹⁾</p>
	<p>6LBA3 = 0-30° directional ⁽⁸⁵⁾</p>		<p>MW=Matte White MB=Matte Black MMS=Matte Metallic Silver</p>

continued on next page

Order Information

REQUIRED if Remote Driver (R) is specified on Cylinder

Domestic Preferences ⁽⁸⁰⁾	Remote Drivers ⁽⁶⁾	Lumens	Voltage	Driver	Options ^{(31) (33)}	Controls
[Blank]=Standard TAA= Trade Agreements Act	RC100=Remote 100 ft RC75= Remote 75 ft RC50= Remote 50 ft RC25= Remote 25 ft RC15= Remote 15 ft RC5= Remote 5 ft RC2= Remote 2 ft	02=250 lumens 05=500 lumens ⁽²⁵⁾ 08=800 lumens 10=1000 lumens 15=1500 lumens 20=2000 lumens 25=2500 lumens 30=3000 lumens 35=3500 lumens 40C=4000 lumens	blank=120-277V (250-3500 lumens) ⁽¹¹⁾ 1=120V (3500 & 4000 lumens only) 2=277V (3500 & 4000 lumens only) 3=347V ⁽³⁴⁾	D010=0-10V Dimming, 1% to 100%, 120V-277V 3D010=0-10V Dimming, 1% to 100%, 347V, 800-3500 Lumens D010TR=0-10V (120-277V) or line voltage (120V) dimming, 5-100%; 1 driver: 250 to 3500 / 2 drivers: 4000 Lumens DE010=0-10V Linear Dimming, 0% to 100%, 120V-277V, 500-4000 lumens D5LT=Fifth Light® DALI DT6 Logarithmic Dimming, 0% to 100%, 120V-277V, 500-4000 lumens DMX=DMX/RDM Logarithmic Dimming, 0% to 100%, 120V-277V, 800-4000 lumens ⁽⁶⁾ DMXC5=DMX/RDM Logarithmic Dimming, 0% to 100%, 120V-277V, with RJ45 connection, 800-4000 lumens ⁽⁶⁾ DLE=Lutron Ecosystem dimming 1% to 100%, 120-277V; 1 driver: 800 to 3500 Lumens / 2 drivers: 4000 Lumens ⁽¹²⁾ DLV=Low Voltage System, 800-3000 lumens	EMBOD=Bodine® Emergency Module with Remote Test Switch EMBOD6ST=Bodine® 6W Self Test Emergency Module with Remote Test Switch EM7=7W Emergency Module with Remote Test Switch EM14=14W Emergency Module with Remote Test Switch EMBOD7ST=Bodine® Self Test Emergency Module EMV7=7W Low Voltage Emergency Module with Remote Test Switch ⁽²¹⁾ EMV14=14W Low Voltage Emergency Module with Remote Test Switch ⁽²¹⁾ ETRD=Emergency transfer device ⁽³²⁾	WPST=Factory installed Wavelinx (includes control module, sensor, cable, tile mount and ceiling mount sensor) ^{(14) (28)} WLST=Factory installed WaveLinX Lite Sensor Kit ^{(14) (27)} WPN = WaveLinX PRO Wireless Node without sensor ⁽¹⁴⁾

Domestic Preferences ⁽³⁰⁾	Accessories ⁽³⁵⁾	Type	Lengths
[Blank]=Standard TAA=Trade Agreements Act	Pendant Kit ⁽²²⁾ P836P=White pendant stem kit for round suspended mount cylinder P836BZ=Bronze pendant stem kit for round suspended mount cylinder P836MB=Matte black pendant stem kit for round suspended mount cylinder P836SL=Silver pendant stem kit for round suspended mount cylinder	Blank=5 conductor for use with 0-10V driver 3C=3 conductor for use with 120 or 277V 5C= conductor for use with D5LT drivers DMX=No conductors for use with DMX RM = for Remote drivers	Blank=36" SP*=* Specify 6" to 144" in 1" increments
	Conduit Pendant Kit ⁽²⁷⁾ PMRCC6P = Round pendant stem kit with conduit knockout cover, white PMRCC6MB = Round pendant stem kit with conduit knockout cover, black PMRCC6BZ = Round pendant stem kit with conduit knockout cover, bronze PMRCC6SL = Round pendant stem kit with conduit knockout cover, silver	PMSQCC6P = Square pendant stem kit with conduit knockout cover, white PMSQCC6MB = Square pendant stem kit with conduit knockout cover, black PMSQCC6BZ = Square pendant stem kit with conduit knockout cover, bronze PMSQCC6SL = Square pendant stem kit with conduit knockout cover, silver	Blank=36" SP*=* Specify 6" to 144" in 1" increments
	Aircraft cable ⁽²⁷⁾ AC120P=120" white aircraft cable kit AC48P=48" white aircraft cable kit AC120MB=120" black aircraft cable kit AC48MB=48" black aircraft cable kit	Blank=5 conductor DMXC5=DMX/RDM logarithmic Dimming with RJ45 connection	
	LNE6RUD=up/down gasketed lens, wet location, round LNE6SQUD=up/down gasketed lens, wet location, square Conduit Kit ⁽²⁷⁾ SMRCC6P = Round conduit canopy for surface mount, white SMRCC6MB = Round conduit canopy for surface mount, black SMRCC6BZ = Round conduit canopy for surface mount, bronze SMRCC6SL = Round conduit canopy for surface mount, silver		

Notes

- (1) Square reflector
- (2) Round reflector
- (3) Square reflector, requires two reflectors and light engines
- (4) Round reflector, requires two reflectors and light engines
- (5) 347V integral D010 only, 800-3500 lumens for integral driver, 250, 500, 4000 lumens for remote driver.
- (6) DMX fixtures default to full on upon loss of DMX signal
- (8) Up down surface mount require 2 driver assemblies
- (9) Order remote driver separately. See below to order.
- (10) Consult factory for custom finishes.
- (11) 3000 and below. Up to 3000 lumens does not need voltage specified.
- (12) Only available up to 25 ft.
- (13) Not available with up/down
- (14) Refer to system specifications for additional information, features, and benefits. Order either factory installed option or accessory. Use with 0-10V driver.
- (15) Nominal Lumens will vary depending on selected color, driver and reflector finish.
- (16) Beam angles are nominal with LI finish trims.
- (17) Not available on CS distributions
- (19) Available only on CS distributions
- (20) 0-45° slope.
- (21) ULus listed only
- (24) Ceiling mount only
- (25) Canopy mount driver available for all drivers except DMX, omit R in ordering information

- (26) Not for use with remote driver
- (27) WLST = WaveLinX Lite tile mount sensor kit for daylight dimming, PIR motion sensing, use with D010 only (Refer to WaveLinX Lite system specifications)
- (28) WPST = WaveLinX wireless sensor kit for daylight dimming, PIR motion sensing, and optional RLTS - Real Time Location Services, use with 0-10V only
- (29) Limited to D010 drivers
- (30) To order product that is compliant with the Buy American Act of 1933 (BAA) or Trade Agreements Act (TAA), use the online specification configurator to specify BAA or TAA. Please refer to [DOMESTIC PREFERENCES LINK](#) for more information. Components shipped separately may be separately analyzed under domestic preference requirements. Accessories sold separately will be separately analyzed under domestic preference requirements.
- (31) 120V-277V
- (32) Used to bypass local control during outage. Must be used in conjunction with UL 1008 device (provided by others).
- (33) Non-IC
- (34) D010 800 to 4000 lumens, 250, 500 and 4000 lumens use step down transformer) All other drivers use step down transformer.
- (35) Use with ECA6C

Product Specifications

Lower Reflector

- Painted die-cast aluminum or spun aluminum lower reflector with a lensed upper optical chamber provides superior lumen output with minimal source brightness
- Square surface mount available with square or round reflectors
- Spun reflectors are available in all Portfolio finishes
- Directional with baffle tilts from 0-30°

Trim retention

- Two torsion springs hold flange tightly to the cylinder lip

Cylinder

- Shallow round and soft square extruded aluminum
- Matte white, bronze, silver or matte black
- Available in standard and shallow heights
- Consult factory for custom finishes
- Yoke mount provides +/-45° lockable tilt

Mounting

- Mounting plate installs to mounted junction box
- Cylinder mounts to plate with easy twist and lock hooks for ceiling mount
- For wall mount, mounting arm attaches directly to junction box via a robust mounting plate
- Offered with optional stem and aircraft cable
- Conduit canopy allows for mounting pendant and surface cylinder on hard ceilings provided in painted finish to match the cylinder accommodates ½" or ¾" conduit.

Thermal

- Aluminum heat sink conducts heat away from the LED module for optical performance and longer life

LED System

- Contains a plurality of high brightness white LED's combined with a high reflectance upper reflector and convex transitional lens producing even distribution without pixilation
- Auto resetting, thermally protected, LED's are turned off when safe operating temperatures are exceeded
- Quick disconnect allows for tool-less replacement of LED engine from below ceiling
- 90 and 97 CRI
- 90 & 97CRI: L78 55,000 hours for 1000-2000 lumens, L90 55,000 for all other lumen output
- Color variation within 2-step MacAdam ellipses
- Available in 2400K, 2700K, 3000K, 3500K, 4000K and 5000K correlated color temperature (CCT)

Vividtune and High CRI

- 98 CRI and W2N: L70 55,000 hours
- D2W™ – dim-to-warm shifts CCT from 3000K to 1850K as fixture dims mimicking halogen sources.
- W2N - Tunable white CCT range 2700K to 6500K or 2000K to 5000K, 90 CRI. Standard
- **98 CRI** With a full-spectrum approach using broad-blue chip technology and special phosphor blends, Thrive is able to closely match the spectrum of the sun across all color temperatures. Benefits of the natural spectrum of the sun using Thrive include superior accurate color rendering, reduced eye strain, and a higher sense of emotional well-being.
- See dedicated specification sheet for more details.

Driver

- Standard 120-277V 0-10V dimming driver provides flicker-free dimming from 100% to 1%
- Optional 120V leading edge, <1% 0-10V, Fifth Light, DMX or Lutron®
- Remote driver option up to 100' based on driver selection
- Distributed low voltage power system combines power, lighting, and controls with ease of installation.

Connected Lighting System

Two WaveLinx connected solutions to choose from. Refer to WaveLinx system specifications and application guides for details.

WaveLinx PRO Tilemount Sensor Kit

- WaveLinx WPST tilemount sensor kit offers daylight dimming, PIR motion sensing, scene and zone configuration, automatic commissioning; and optional RLTS - Real Time Location Services available.

WaveLinx PRO Wireless Node

- WaveLinx PRO wireless node provides luminaire-level control with scene and zone configuration without an integrated sensor; Connects wirelessly with daylight dimming sensor and PIR motion sensor if desired. Use with 0-10V driver only.

WaveLinx LITE Tilemount Sensor Kit

- WaveLinx LITE WLST tilemount sensor kit offers daylight dimming and PIR motion sensing, scene and grouping configuration.

WaveLinx Tilemount Kits Application

- The WPST and WLST tilemount kits include a control module mounted on the luminaire junction box via 1/2" knock-out, and a tilemount sensor on 5/4-inch whip; for ceiling installation by direct-mount spring clips or via mounting bracket in octagon ceiling boxes.
- The WPST and WLST tilemount kits may be ordered as factory installed on the luminaire, or ordered separately as a field installed accessory kit.

Compliance

- Pendant mount cULus Listed for damp locations
- Ceiling mount cULus Listed for wet locations and IP66 compliant in covered ceiling
- Wall mount cULus Listed for wet locations and IP66 compliant, requires lens accessory for up/down wall mount
- EMI/RFI emissions per FCC 47CFR Part 18 Class B consumer limits
- RoHS compliant
- Photometric testing completed in accordance with IES LM-79
- LED life testing completed in accordance with IES LM-80 standards

Warranty

- Five year warranty www.cooperlighting.com/legal

Energy Data

D010 DRIVER ENERGY DATA

Series	250 lumen		500 lumen		800 lumen		1000 lumen		1500 lumen		2000 lumen	
	120V	277V	120V	277V	120V	277V	120V	277V	120V	277V	120V	277V
Input Voltage 120-277VAC	120V	277V	120V	277V	120V	277V	120V	277V	120V	277V	120V	277V
Input Current (A)	0.029	0.017	0.061	0.032	0.085	0.041	0.084	0.042	0.135	0.063	0.189	0.084
Input Power (W)	3.45	3.87	7.33	7.78	10.15	10.52	10.04	10.43	16.17	16.56	22.58	22.63
In-rush (A)	2.1	8.5	3.7	8.5	3.6	8.3	3.6	8.4	2.3	9.5	2.1	9.7
Inrush duration (µs)	250	131	190	136	220	135	226	136	230	125	243	132
THDi (%)	7.21	16.92	7.82	10.78	5.57	9.63	7.78	9.24	4.75	9.93	8.03	7.44
PF	≥ 0.98	≥ 0.9	≥ 0.99	≥ 0.93	≥ 0.99	≥ 0.95	≥ 0.99	≥ 0.95	≥ 0.99	≥ 0.94	≥ 0.99	≥ 0.96

Series	2500 lumen		3000 lumen		3500 lumen		4000 lumen	
	120V	277V	120V	277V	120V	277V	120V	277V
Input Voltage 120-277VAC	120V	277V	120V	277V	120V	277V	120V	277V
Input Current (A)	0.276	0.121	0.276	0.121	0.333	0.152	0.404	0.181
Input Power (W)	32.98	32.57	32	32.57	39.83	39.84	48.38	47.94
In-rush (A)	2.5	11.8	3.6	11.8	3.1	14.3	3.1	14.5
Inrush duration (µs)	215	111	220	111	200	94	197	95
THDi (%)	9.86	6.57	5.57	6.57	4.25	10.05	5.02	7.97
PF	≥ 0.99	≥ 0.97	≥ 0.99	≥ 0.99	≥ 0.99	≥ 0.94	≥ 0.99	≥ 0.95

Minimum starting temperature -30°C (-22°F)*
(Nominal input 120-277VAC & 100% of rated output power)

Sound Rating: Class A standards

EMI/RFI: FCC Title 47 CFR, Part 15, Class B (Consumer)

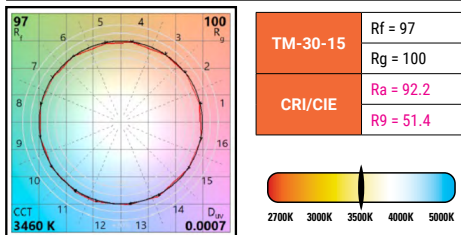
Input Frequency: 50/60Hz

Notes:

Emergency Battery packs are rated for a minimum starting temperature of 0°C.

COLOR METRICS - TM-30-15 & CRI/CIE

98 CRI Color Metric Summary - 3500K*



* Color values are based on haze reflector, other finishes and field results may vary.

Beam Angles

Trim	Beam Angle
6LBMH	MEDIUM 60° BEAM (H)
6LBMLI	MEDIUM 55° BEAM (LI)
6LBNH	NARROW 55° BEAM (H)
6LBNLI	NARROW 30° BEAM (LI)
6LBSH	SHALLOW 85° BEAM (H)
6LBSLI	SHALLOW 70° BEAM (LI)
6LBWH	WIDE 80° BEAM (H)

Trim	Beam Angle
6LBWLI	WIDE 80° BEAM (LI)
6LBSWNLI	SINGLE WALL WASH (LI)
6LBLSWWH	LENSED WALL WASH (H)
6LBLSWWLI	LENSED WALL WASH (LI)
6LBMDH	MEDIUM BEAM 45° CUTOFF 50° BEAM (H)
6LBMDLI	MEDIUM BEAM 45° CUTOFF 50° BEAM (LI)

Photometric Data

[View IES files](#)

SHALLOW 85° BEAM (H)		CANDLEPOWER DISTRIBUTION		CONE OF LIGHT		CANDELA TABLE		ZONAL LUMEN SUMMARY			LUMINANCE																									
Test Number	P571662	Downlight				Degrees Vertical	Candela	Zone	Lumens	% Fixture	Average Candela Degrees	Average 0° Luminance																								
Housing	LE*S6C20D010			<table border="1"> <thead> <tr> <th>D</th> <th>FC</th> <th>L</th> <th>W</th> </tr> </thead> <tbody> <tr><td>4'</td><td>70.3</td><td>4.2</td><td>4.2</td></tr> <tr><td>7'</td><td>23</td><td>7.4</td><td>7.4</td></tr> <tr><td>9'</td><td>13.9</td><td>9.4</td><td>9.4</td></tr> <tr><td>13'</td><td>6.7</td><td>13.6</td><td>13.6</td></tr> <tr><td>16'</td><td>4.4</td><td>16.8</td><td>16.8</td></tr> </tbody> </table>		D	FC	L	W	4'	70.3	4.2	4.2	7'	23	7.4	7.4	9'	13.9	9.4	9.4	13'	6.7	13.6	13.6	16'	4.4	16.8	16.8	0	1125	0-30	790	36.7	37	45292
D	FC	L	W																																	
4'	70.3	4.2	4.2																																	
7'	23	7.4	7.4																																	
9'	13.9	9.4	9.4																																	
13'	6.7	13.6	13.6																																	
16'	4.4	16.8	16.8																																	
Module	EU6C10259035					5	1116	0-40	1224	56.9	45	40764																								
Trim	6LBSH					15	1021	0-60	1936	90	55	32821																								
Lumens	2151					25	864	0-90	2151	100	65	21818																								
Efficacy	98.7 Lm/W					35	694	90-180	0	0	75	8536																								
SC	1.06					45	526	0-180	2151	100	85	0																								
						55	343																													
						65	168																													
						75	40																													
						85	0																													
						90	0																													

SHALLOW 70° BEAM (LI)		CANDLEPOWER DISTRIBUTION		CONE OF LIGHT		CANDELA TABLE		ZONAL LUMEN SUMMARY			LUMINANCE																									
Test Number	P571663	Downlight				Degrees Vertical	Candela	Zone	Lumens	% Fixture	Average Candela Degrees	Average 0° Luminance																								
Housing	LE*S6C20D010			<table border="1"> <thead> <tr> <th>D</th> <th>FC</th> <th>L</th> <th>W</th> </tr> </thead> <tbody> <tr><td>4'</td><td>87.8</td><td>3.6</td><td>3.6</td></tr> <tr><td>7'</td><td>28.7</td><td>6.2</td><td>6.2</td></tr> <tr><td>9'</td><td>17.3</td><td>8</td><td>8</td></tr> <tr><td>13'</td><td>8.3</td><td>11.6</td><td>11.6</td></tr> <tr><td>16'</td><td>5.5</td><td>14.4</td><td>14.4</td></tr> </tbody> </table>		D	FC	L	W	4'	87.8	3.6	3.6	7'	28.7	6.2	6.2	9'	17.3	8	8	13'	8.3	11.6	11.6	16'	5.5	14.4	14.4	0	1405	0-30	879	39.5	37	45256
D	FC	L	W																																	
4'	87.8	3.6	3.6																																	
7'	28.7	6.2	6.2																																	
9'	17.3	8	8																																	
13'	8.3	11.6	11.6																																	
16'	5.5	14.4	14.4																																	
Module	EU6C10259035					5	1383	0-40	1315	59.1	45	40516																								
Trim	6LBSLI					15	1175	0-60	2019	90.7	55	32324																								
Lumens	2226					25	913	0-90	2226	100	65	21170																								
Efficacy	102.1 Lm/W					35	695	90-180	0	0	75	8006																								
SC	0.91					45	523	0-180	2226	100	85	0																								
						55	338																													
						65	163																													
						75	38																													
						85	0																													
						90	0																													

Photometric Multipliers (Nominal Lumen Values)

250 Lumen	500 Lumen	800 Lumen	1000 Lumen	1500 Lumen	2000 Lumen	2500 Lumen	3000 Lumen	3500 Lumen	4000 Lumen
0.22	0.42	0.57	0.65	1.00	1.29	1.62	1.90	1.74	2.02

Multipliers for relative lumen values with other series models.

CCT Multipliers – 90CRI

2400K	2700K	3000K	3500K	4000K	5000K
0.912	0.949	0.986	1	1.001	1.022

Multipliers for relative lumen values with other series color temperatures.

CCT Multipliers – 97CRI

2700K	3000K	3500K	4000K	5000K
0.889	0.955	1	1.016	1.07

Multipliers for relative lumen values with other series color temperatures.

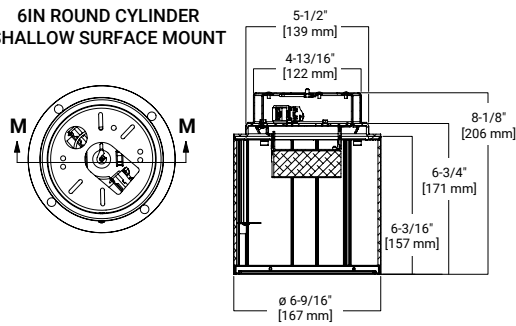
Color Finish Multipliers

Finish code	LI	H	WMH	WH	GPH	B	MW
Finish	Specular Clear	Semi-Specular Clear	Warm Haze	Wheat	Graphite Haze	Specular Black	Matte White
Multiplier	1.22	1	1.07	1.07	0.76	0.59	1.09

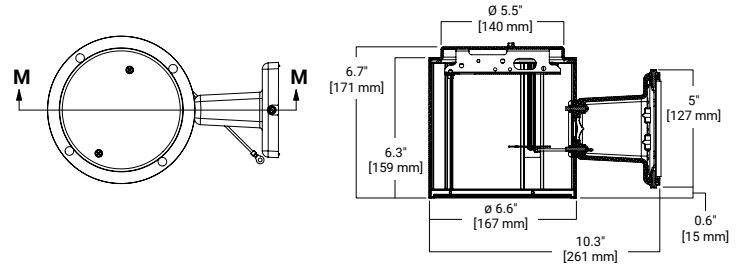
Multipliers for relative lumen values with other color finishes.

Dimensional and Mounting Details

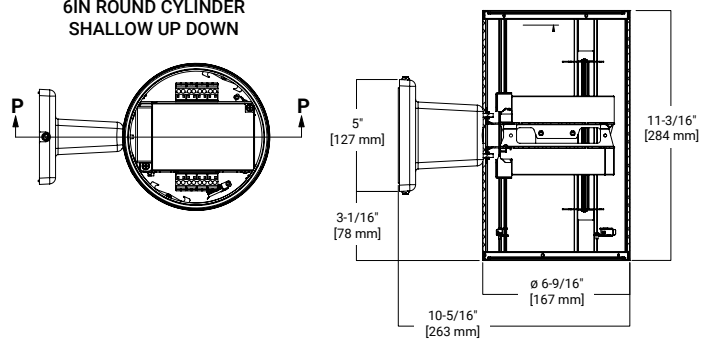
**6IN ROUND CYLINDER
SHALLOW SURFACE MOUNT**



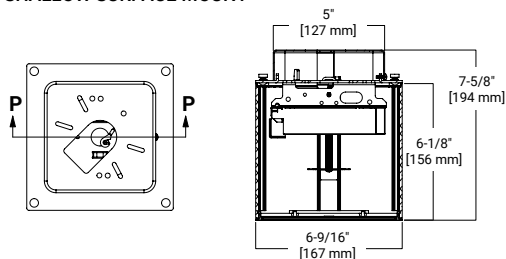
**6IN ROUND CYLINDER
SHALLOW WALL MOUNT**



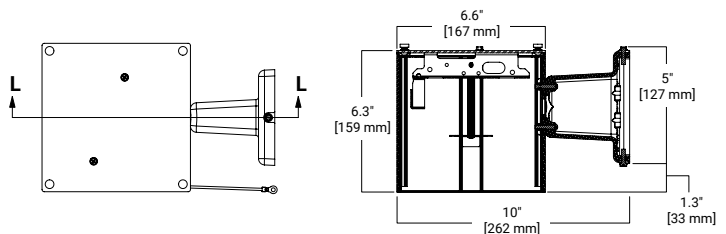
**6IN ROUND CYLINDER
SHALLOW UP DOWN**



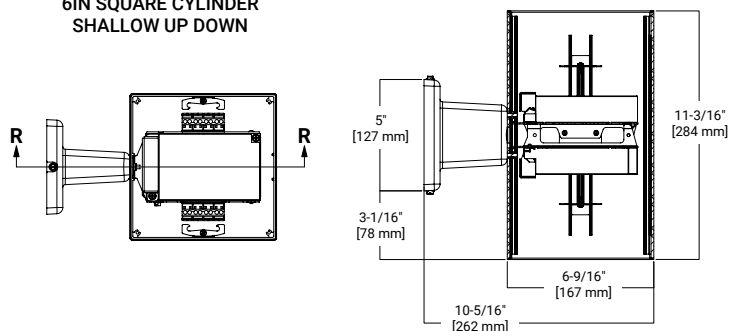
**6IN SQUARE CYLINDER
SHALLOW SURFACE MOUNT**



**6IN SQUARE CYLINDER
SHALLOW WALL MOUNT**

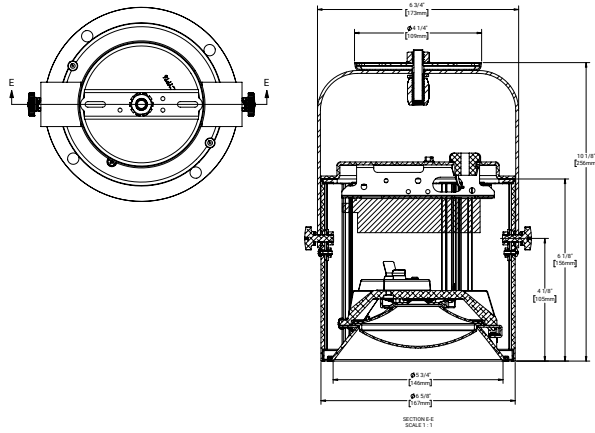


**6IN SQUARE CYLINDER
SHALLOW UP DOWN**

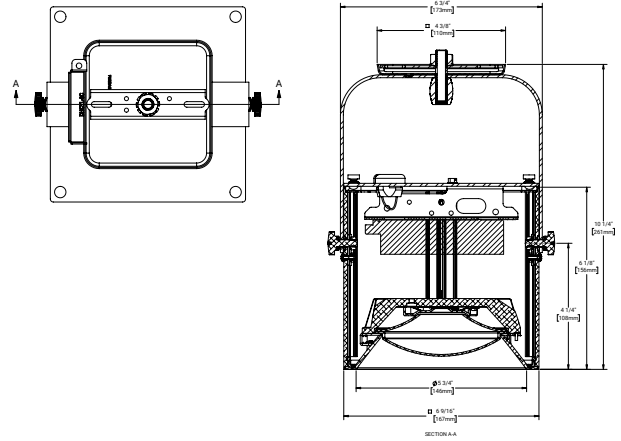


Dimensional and Mounting Details

6IN ROUND CYLINDER
SHALLOW YOKE MOUNT



6IN SQUARE CYLINDER
SHALLOW YOKE MOUNT



Connected Solutions

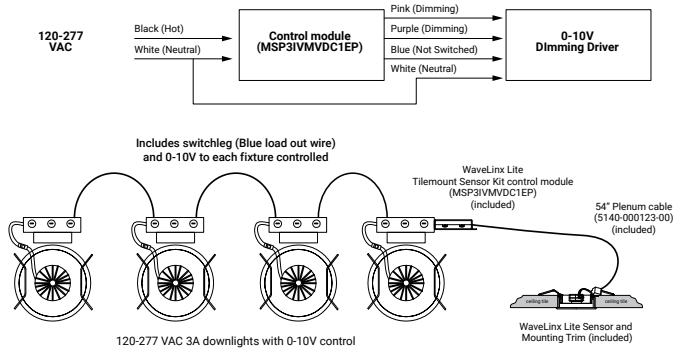
WaveLinx LITE - WLST Tilemount Sensor



- Intuitive Android™ or Apple® iOS® app for basic system code compliant set up and configuration via Bluetooth
- Up to 28 unique areas per project site (WaveLinx LITE Bluetooth network)
- Up to 50 devices for an area, any one of 16 control zones, up to 6 occupancy sets, and custom lighting scenes
- Automatic occupancy or vacancy, sensor sensitivity, daylight dimming, etc. configurable through the app
- Refer to the WaveLinx system specifications for details



WaveLinx LITE WLST Tilemount Wiring Diagram



WaveLinx LITE Bluetooth Enabled System



WaveLinx PRO Wireless – WPST Tilemount Sensor



- WaveLinx PRO Wireless functionality configures zones and customizes settings from one secure mobile app
- Automatic code commissioning that meets the strictest codes
- Fixtures and sensors integrate with Wireless Area Controller, Wall Stations, and Control Devices
- Stand-Along Offices or Entire Building Network Installations

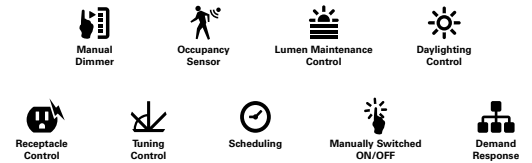
Downlights with tilemount sensor wireless communication
Highly efficient LED fixtures

WaveLinx Area Controller
Provides centralized coordination of multiple area control options

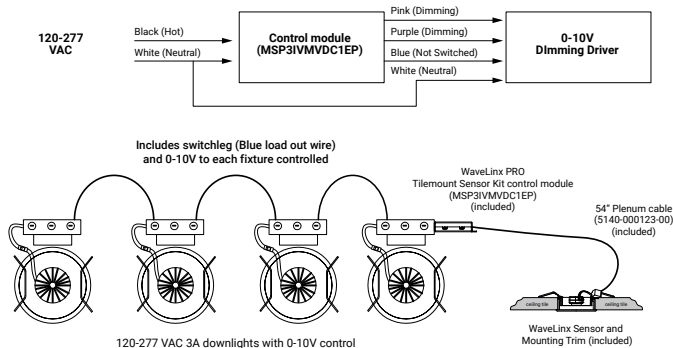
Wireless Wall Station/Receptacle
Provides customized wireless control of each area

Mobile Applications
Provides personalized, local control from a tablet or smartphone

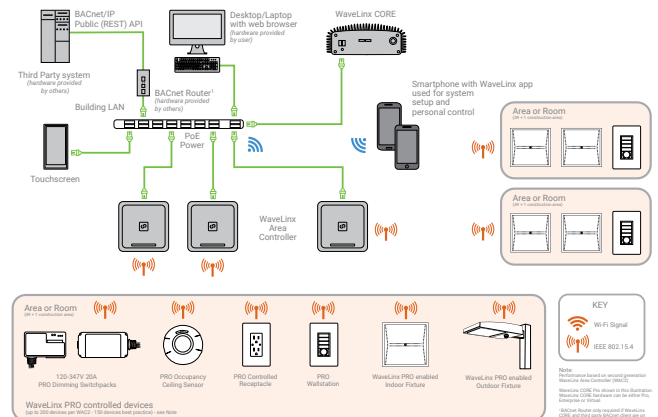
WaveLinx mobile app settings



WaveLinx PRO WPST Tilemount Wiring Diagram



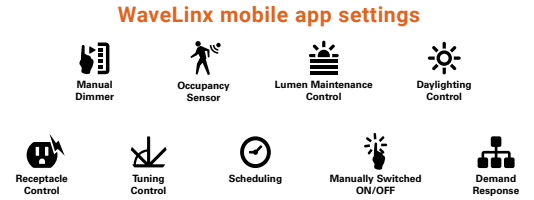
WaveLinx CORE Building Management Integration



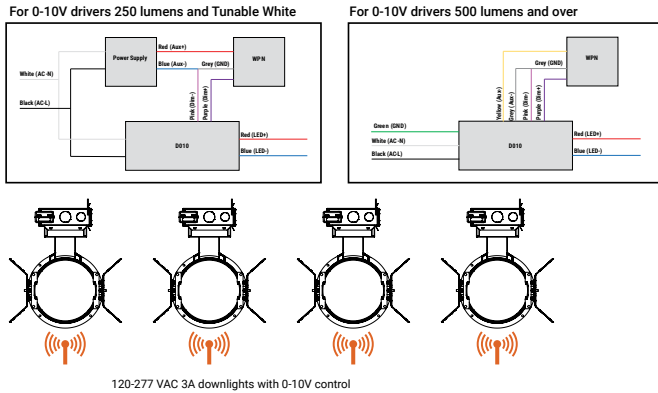
Connected Solutions

WaveLinx PRO Wireless Node - WPN

- WaveLinx Wireless functionality configures zones and customizes settings from one secure mobile app
- Automatic code commissioning that meets the strictest codes
- Fixtures and sensors integrate with WaveLinx Area Controller, Wall Stations, and Control Devices
- Stand-Alone Offices or Entire Building Network Installations



WaveLinx PRO Wireless Node (WPN) Wiring Diagram



WaveLinx CORE Building Management Integration

