

Project		Catalog #		Type	
Prepared by		Notes		Date	



Portfolio

LERS6C/LESQS6C Cylinders VividTune

6" Round and Square Shallow Cylinder
Surface, Ceiling, Wall, Up/Down, Yoke, Stem and Air Craft Cable Mount
Tunable white and dim to warm

Typical Applications

Office • Education • Healthcare • Hospitality • Retail • Residential

Interactive Menu

- Order Information page 2
- Product Specifications page 4
- Energy Data page 5
- Connected Systems page 8
- Product Warranty

Top Product Features

- 800 to 3500 lumens
- Extruded aluminum housing; Matte Black, White, Bronze and Silver paint finishes
- Available W2N Tunable White 2700K-6500K or 2000K-5000K
- D2W™ option from 3000K to 1850K
- Options to meet Trade Agreements Act requirements

Product Certification



Control Compatibility



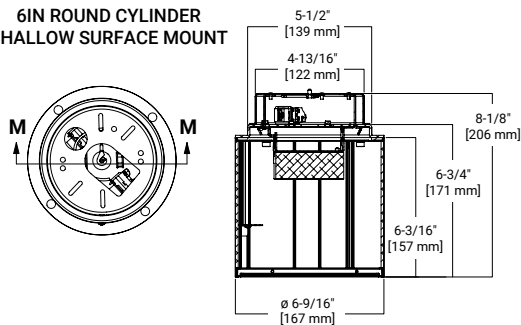
Product Features



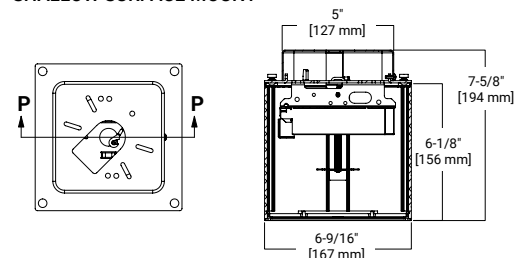
Dimensional and Mounting Details

additional product diagrams

6IN ROUND CYLINDER
SHALLOW SURFACE MOUNT



6IN SQUARE CYLINDER
SHALLOW SURFACE MOUNT



Order Information

SAMPLE ORDER NUMBER: **LERS6C10D2WD010TRP**

Domestic Preferences ⁽³⁰⁾	Cylinder	Lumens	Color Control	Driver	Remote ⁽⁸⁾	Finish ⁽¹⁰⁾
<p>[Blank]=Standard TAA= Trade Agreements Act</p>	<p>Ceiling surface mount LERS6C=6-inch round surface mount LESQS6C= 6-inch square surface mount square aperture ⁽¹⁾ LESQRS6C= 6-inch square surface mount round aperture ⁽²⁾ Ceiling surface mount Square with conduit canopy (for round use Conduit Canopy Kit accessory) LESQSMS6C = 6-inch square surface mount square aperture with surface mount conduit canopy ⁽¹⁾ LESQRSMS6C = 6-inch square surface mount, round aperture with surface mount conduit canopy ⁽²⁾ Wall mount Downlight LERWMS6C= 6-inch round wall mount LESQRWMS6C= 6-inch square wall mount round aperture ⁽²⁾ LESQWMS6C= 6-inch square wall mount square aperture ⁽¹⁾ Wall mount Up/down LERUDS6C= 6-inch round wall mount up/down ^{(4) (7)} LESQUDS6C= 6-inch square wall mount up/down square aperture ^{(3) (7)} LESQRUDS6C= 6-inch square wall mount up/down round aperture ^{(4) (7)} Yoke mount LERYMS6C = 6-inch round yoke mount ⁽²⁴⁾ LESQYMS6C = 6-inch square yoke mount square aperture ^{(1) (24)} LESQRYMS6C = 6-inch square yoke mount round aperture ^{(2) (24)}</p>	<p>08=800 lumens 10=1000 lumens 15=1500 lumens 20=2000 lumens 25=2500 lumens 30=3000 lumens 35=3500 lumens</p>	<p>[Blank]=W2N 1000-3000 lumens D2W=Dim to warm for 800-2500 & 3500 lumens</p>	<p>D2W D010=0-10V Dimming, 1% to 100%, 120V-277V, up to 2500 lumens (3500 and above requires remote driver) 3D010=0-10V Dimming, 1% to 100%, 347V, 800-2500 Lumens (3500 requires remote driver) D010TR=0-10V (120-277V) or line voltage (120V) dimming, 5-100%; up to 2500 lumens (3500 requires remote driver) DE010=0-10V Linear Dimming, 0% to 100%, 120V-277V, up to 2500 lumens (3500 requires remote driver) D5LT=Fifth Light® DALI DT6 Logarithmic Dimming, 0% to 100%, 120V-277V, up to 2500 lumens (3500 requires remote driver) DMX=DMX/RDM Logarithmic Dimming, 0% to 100%, 120V-277V, 800-2500 lumens (3500 requires remote driver) ⁽⁶⁾ DMXC5=DMX/RDM Logarithmic Dimming, 0% to 100%, 120V-277V, with RJ45 connection, 800-2500 lumens (3500 requires remote driver) ⁽⁶⁾ DL2=1 to 100% dimming, 120V Lutron Hi-Lume forward phase dimming; 800-2500 Lumens (3500 requires remote driver) DLE=Lutron Ecosystem dimming 1% to 100%, 120-277V; 800-2500 Lumens (3500 requires remote driver) DLV=Low Voltage System, 800-2000 lumens</p> <p>W2N DE010W2N2765=0-10V Linear Dimming, 0% to 100%, 120V-277V, 2700K-6500K, 1000-2500 lumens (3000 and above requires remote driver) DE010W2N2050=0-10V Linear Dimming, 0% to 100%, 120V-277V, 2000K-5000K, 1000-2500 lumens (3000 and above requires remote driver) D5LTW2N2765=Fifth Light® DALI DT6 Logarithmic Dimming, 0% to 100%, 120V-277V, 2700K-6500K, 1000-2500 lumens (3000 and above requires remote driver) D5LTW2N2050=Fifth Light® DALI DT6 Logarithmic Dimming, 0% to 100%, 120V-277V, 2000K-5000K, 1000-2500 lumens (3000 and above requires remote driver)</p>	<p>blank=Integral driver R=Remote driver ⁽⁹⁾</p>	<p>P=White MB=Matte Black SL=Silver BZ=Bronze</p>

SAMPLE ORDER NUMBER: **EC6C08259030D2W**

Domestic Preferences ⁽³⁰⁾	Power Module	Lumen Levels ⁽¹⁵⁾
<p>[Blank]=Standard TAA=Trade Agreements Act</p>	<p>EC6C=6-inch Universal LED Module</p>	<p>Dim 2 Warm 08259030D2W=800-2500 lumen, 90 CRI, Dim 2 Warm 35459030D2W=3500 lumen, 2 LEDs, 90 CRI, Dim 2 Warm</p> <p>Tunable white 1030W2N902765=1000, 1500, 2000, 2500, 3000 lumens, 90 CRI, tunable white 2700K-6500K 1030W2N902050=1000, 1500, 2000, 2500, 3000 lumens, 90 CRI, tunable white 2000K-5000K</p>

SAMPLE ORDER NUMBER: **6LBSS3LI**

Domestic Preferences ⁽³⁰⁾	Trim	Reflector	Finish
<p>[Blank]=Standard BAA= Buy American Act (SS3 spun trim only)</p>	<p>6LB=6" LED</p>	<p>SS3=Round shallow spun aluminum SCS3=Round shallow die cast SCSSQ3=Square shallow die cast</p>	<p>LI=Specular Clear⁽¹⁷⁾ H=Semi-Specular Clear⁽¹⁷⁾ WMH=Warm Haze⁽¹⁷⁾ WH=Wheat⁽¹⁷⁾ GPH=Graphite Haze⁽¹⁷⁾ B=Specular Black⁽¹⁷⁾ MW=Matte White MB=Matte Black⁽¹⁹⁾ MMS=Matte Metallic Silver⁽¹⁹⁾</p>

continued on next page

Order Information

REQUIRED if Remote Driver (R) is specified on Cylinder

Domestic Preferences ⁽³⁰⁾	Remote Drivers ⁽⁹⁾	Lumens	Color Control	Voltage	Driver
[Blank] =Standard TAA = Trade Agreements Act	RC100 =Remote 100 ft RC75 = Remote 75 ft RC50 = Remote 50 ft RC25 = Remote 25 ft RC15 = Remote 15 ft RC5 = Remote 5 ft RC2 = Remote 2 ft	08 =800 lumens 10 =1000 lumens 15 =1500 lumens 20 =2000 lumens 25 =2500 lumens 30 =3000 lumens 35 =3500 lumens	[Blank] =W2N 1000-3000 lumens D2W =Dim to warm for 800-2500 & 3500 lumens	blank =120-277V (D2W up to 2500 lumens, W2N 1000 lumens) 1 =120V (D2W 3500 lumens, W2N 1500 lumens and above) 2 =277V (D2W 3500 lumens, W2N 1500 lumens and above) 3 =347V ⁽³⁴⁾	D2W D010 =0-10V Dimming, 1% to 100%, 120V-277V, up to 2500 lumens / 2 drivers: 3500 Lumens D010TR =0-10V (120-277V) or line voltage (120V) dimming, 5-100%, up to 2500 lumens / 2 drivers: 3500 Lumens DE010 =0-10V Linear Dimming, 0% to 100%, 120V-277V, 800-2500 lumens / 2 drivers: 3500 Lumens D5LT =Fifth Light® DALI DT6 Logarithmic Dimming, 0% to 100%, 120V-277V, 800-2500 lumens / 2 drivers: 3500 Lumens DMX =DMX/RDM Logarithmic Dimming, 0% to 100%, 120V-277V, 800-2500 lumens / 2 drivers: 3500 Lumens ⁽⁶⁾ DMXC5 =DMX/RDM Logarithmic Dimming, 0% to 100%, 120V-277V, with RJ45 connection, 800-2500 lumens / 2 drivers: 3500 Lumens ⁽⁶⁾ DL2 =1 to 100% dimming, 120V Lutron Hi-Lume forward phase dimming; 800 to 2500 Lumens / 2 drivers: 3500 Lumens ⁽¹²⁾ DLE =Lutron Ecosystem dimming 1% to 100%, 120-277V; 800 to 2500 Lumens / 2 drivers: 3500 Lumens ⁽¹²⁾ DLV =Low Voltage System, 800-2000 lumens W2N DE010W2N2765 =0-10V Linear Dimming, 0% to 100%, 120V-277V, 2700K-6500K, 1000-3000 lumens DE010W2N2050 =0-10V Linear Dimming, 0% to 100%, 120V-277V, 2000K-5000K, 1000-3000 lumens D5LTW2N2765 =Fifth Light® DALI DT6 Logarithmic Dimming, 0% to 100%, 120V-277V, 2700K-6500K, 1000-3000 lumens D5LTW2N2050 =Fifth Light® DALI DT6 Logarithmic Dimming, 0% to 100%, 120V-277V, 2000K-5000K, 1000-3000 lumens

Options ^{(31) (33)}	Controls
EMBOD =Bodine® Emergency Module with Remote Test Switch EMBOD6ST =Bodine® 6W Self Test Emergency Module with Remote Test Switch EM7 =7W Emergency Module with Remote Test Switch EM14 =14W Emergency Module with Remote Test Switch ETRD =Emergency transfer device ⁽³²⁾	EMBOD7ST =Bodine® Self Test Emergency Module EMV7 =7W Low Voltage Emergency Module with Remote Test Switch ⁽²¹⁾ EMV14 =14W Low Voltage Emergency Module with Remote Test Switch ⁽²¹⁾ WPST =Factory installed Wavelinx (includes control module, sensor, cable, tile mount and ceiling mount sensor) ^{(14) (28)} WLST =Factory installed WaveLinX Lite Sensor Kit ^{(14) (27)} WPN = WaveLinX PRO Wireless Node without sensor ⁽¹⁴⁾

Domestic Preferences ⁽³⁰⁾	Accessories ⁽³⁵⁾	Type	Lengths	
[Blank] =Standard TAA =Trade Agreements Act	Pendant Kit ⁽²²⁾ P836P =White pendant stem kit for round suspended mount cylinder P836BZ =Bronze pendant stem kit for round suspended mount cylinder P836MB =Matte black pendant stem kit for round suspended mount cylinder P836SL =Silver pendant stem kit for round suspended mount cylinder Conduit Pendant Kit ⁽²⁷⁾ PMRCC6P = Round pendant stem kit with conduit knockout cover, white PMRCC6MB = Round pendant stem kit with conduit knockout cover, black PMRCC6BZ = Round pendant stem kit with conduit knockout cover, bronze PMRCC6SL = Round pendant stem kit with conduit knockout cover, silver Aircraft cable ⁽²⁷⁾ AC120P =120" white aircraft cable kit AC48P =48" white aircraft cable kit AC120MB =120" black aircraft cable kit AC48MB =48" black aircraft cable kit LNE6RUD =up/down gasketed lens, wet location, round LNE6SQUD =up/down gasketed lens, wet location, square	PMSQCC6P = Square pendant stem kit with conduit knockout cover, white PMSQCC6MB = Square pendant stem kit with conduit knockout cover, black PMSQCC6BZ = Square pendant stem kit with conduit knockout cover, bronze PMSQCC6SL = Square pendant stem kit with conduit knockout cover, silver Conduit Kit ⁽²⁷⁾ SMRCC6P = Round conduit canopy for surface mount, white SMRCC6MB = Round conduit canopy for surface mount, black SMRCC6BZ = Round conduit canopy for surface mount, bronze SMRCC6SL = Round conduit canopy for surface mount, silver	Blank =5 conductor for use with 0-10V driver 3C =3 conductor for use with 120 or 277V 5C = conductor for use with D5LT drivers DMX =No conductors for use with DMX RM = for Remote drivers Blank =5 conductor DMXC5 =DMX/RDM logarithmic Dimming with RJ45 connection	Blank =36" SP *=* Specify 6" to 144" in 1" increments Blank =36" SP *=* Specify 6" to 144" in 1" increments

- Notes**
- (1) Square reflector
 - (2) Round reflector
 - (3) Square reflector, requires two reflectors and light engines
 - (4) Round reflector, requires two reflectors and light engines
 - (5) 347V integral D010 only. 800-3000 lumens for integral driver. 250-3000 lumens for remote driver.
 - (6) DMX fixtures default to full on upon loss of DMX signal
 - (7) Limited to 3000 Lumens
 - (8) Up down surface mount require 2 driver assemblies
 - (9) Order remote driver separately. See below to order.
 - (10) Consult factory for custom finishes.
 - (12) Only available up to 25 ft.
 - (13) Not available with up/down
 - (14) Refer to system specifications for additional information, features, and benefits. Order either factory installed option or accessory. Use with 0-10V driver.
 - (15) Nominal Lumens will vary depending on selected color, driver and reflector finish.
 - (16) Beam angles are nominal with LI finish trims.
 - (17) Not available on CS or BA distributions
 - (19) Available only on CS distributions
 - (20) 0-45° slope.
 - (21) ULus listed only
 - (24) Ceiling mount only
 - (25) Canopy mount driver available for all drivers except DMX, omit R in ordering information
 - (26) Not for use with remote driver
 - (27) WLST = WaveLinX Lite tile mount sensor kit for daylight dimming, PIR motion sensing, use with D010 only (Refer to WaveLinX Lite system specifications)
 - (28) WPST = WaveLinX wireless sensor kit for daylight dimming, PIR motion sensing, and optional RLTS - Real Time Location Services, use with 0-10V only
 - (29) Limited to D010 drivers
 - (30) To order product that is compliant with the Buy American Act of 1933 (BAA) or Trade Agreements Act (TAA), use the online specification configurator to specify BAA or TAA. Please refer to [DOMESTIC PREFERENCES LINK](#) for more information. Components shipped separately may be separately analyzed under domestic preference requirements. Accessories sold separately will be separately analyzed under domestic preference requirements.
 - (31) 120V-277V
 - (32) Used to bypass local control during outage. Must be used in conjunction with UL 1008 device (provided by others). (33) Non-IC
 - (34) D010 800 to 2500 lumens (250, 500, 3000 and 3500 lumens use step down transformer) All other drivers use step down transformer.

Product Specifications

Lower Reflector

- Painted die-cast aluminum or spun aluminum lower reflector with a lensed upper optical chamber provides superior lumen output with minimal source brightness
- Square surface mount available with square or round reflectors
- Spun reflectors are available in all Portfolio finishes

Trim retention

- Two torsion springs hold flange tightly to the cylinder lip

Cylinder

- Shallow round and soft square extruded aluminum
- Matte white, bronze, silver or matte black. Contact factory for custom finishes.
- Available in standard and shallow heights
- Yoke mount provides +/-45° lockable tilt

Mounting

- Mounting plate installs to mounted junction box
- Cylinder mounts to plate with easy twist and lock hooks for ceiling mount
- For wall mount, mounting arm attaches directly to junction box via a robust mounting plate
- Offered with optional stem and aircraft cable
- Conduit canopy allows for mounting pendant and surface cylinder on hard ceilings provided in painted finish to match the cylinder accommodates ½" or ¾" conduit.

Thermal

- Aluminum heat sink conducts heat away from the LED module for optical performance and longer life

LED System

- Contains a plurality of high brightness white LED's combined with a high reflectance upper reflector and convex transitional lens producing even distribution without pixilation
- Auto resetting, thermally protected, LED's are turned off when safe operating temperatures are exceeded

Vividtune

- W2N: L70 55,000 hours
- D2W™ – dim-to-warm shifts CCT from 3000K to 1850K as fixture dims mimicking halogen sources.
- W2N - Tunable white CCT range 2700K to 6500K or 2000K to 5000K, 90 CRI. Standard

Driver

- Standard 120-277V 0-10V dimming driver provides flicker-free dimming from 100% to 1%
- Optional 120V leading edge, <1% 0-10V, Fifth Light, DMX or Lutron®
- Remote driver option up to 100' based on driver selection
- Distributed low voltage power system combines power, lighting, and controls with ease of installation.

Emergency Option

- Provides 90 minutes of standby lighting, meeting most life safety codes for egress lighting
- Available Self-Test (self-diagnostic) with remote charge indicator and test switch
- Emergency Transfer Relay Device bypasses local control during a power outage
- UL 924 listed

Connected Lighting System

Two WaveLinx connected solutions to choose from. Refer to WaveLinx system specifications and application guides for details.

WaveLinx PRO Tilemount Sensor Kit

- WaveLinx WPST tilemount sensor kit offers daylight dimming, PIR motion sensing, scene and zone configuration, automatic commissioning; and optional RLTS - Real Time Location Services available.

WaveLinx PRO Wireless Node

- WaveLinx PRO wireless node provides luminaire-level control with scene and zone configuration without an integrated sensor; Connects wirelessly with daylight dimming sensor and PIR motion sensor if desired. Use with 0-10V driver only.

WaveLinx LITE Tilemount Sensor Kit

- WaveLinx LITE WLST tilemount sensor kit offers daylight dimming and PIR motion sensing, scene and grouping configuration.

WaveLinx Tilemount Kits Application

- The WPST and WLST tilemount kits include a control module mounted on the luminaire junction box via 1/2" knock-out, and a tilemount sensor on 54-inch whip; for ceiling installation by direct-mount spring clips or via mounting bracket in octagon ceiling boxes.
- The WPST and WLST tilemount kits may be ordered as factory installed on the luminaire, or ordered separately as a field installed accessory kit.

Compliance

- Pendant mount cULus Listed for damp locations
- Ceiling mount cULus Listed for wet locations and IP66 compliant in covered ceiling
- Wall mount cULus Listed for wet locations and IP66 compliant, requires lens accessory for up/down wall mount
- EMI/RFI emissions per FCC 47CFR Part 18 Class B consumer limits
- RoHS compliant
- Photometric testing completed in accordance with IES LM-79
- LED life testing completed in accordance with IES LM-80 standards

Warranty

- Five year warranty www.cooperlighting.com/legal

Energy and Performance Data

D010 DRIVER ENERGY DATA

Series	800 lumen		1000 lumen		1500 lumen		2000 lumen	
	120V	277V	120V	277V	120V	277V	120V	277V
Input Voltage 120-277VAC	120V	277V	120V	277V	120V	277V	120V	277V
Input Current (A)	0.085	0.041	0.084	0.042	0.135	0.063	0.189	0.084
Input Power (W)	10.15	10.52	10.04	10.43	16.17	16.56	22.58	22.63
In-rush (A)	3.6	8.3	3.6	8.4	2.3	9.5	2.1	9.7
Inrush duration (µs)	220	135	226	136	230	125	243	132
THDi (%)	5.57	9.63	7.78	9.24	4.75	9.93	8.03	7.44
PF	≥ 0.99	≥ 0.95	≥ 0.99	≥ 0.95	≥ 0.99	≥ 0.94	≥ 0.99	≥ 0.96

Series	2500 lumen		3000 lumen		3500 lumen	
	120V	277V	120V	277V	120V	277V
Input Voltage 120-277VAC	120V	277V	120V	277V	120V	277V
Input Current (A)	0.276	0.121	0.276	0.121	0.333	0.152
Input Power (W)	32.98	32.57	32	32.57	39.83	39.84
In-rush (A)	2.5	11.8	3.6	11.8	3.1	14.3
Inrush duration (µs)	215	111	220	111	200	94
THDi (%)	9.86	6.57	5.57	6.57	4.25	10.05
PF	≥ 0.99	≥ 0.97	≥ 0.99	≥ 0.99	≥ 0.99	≥ 0.94

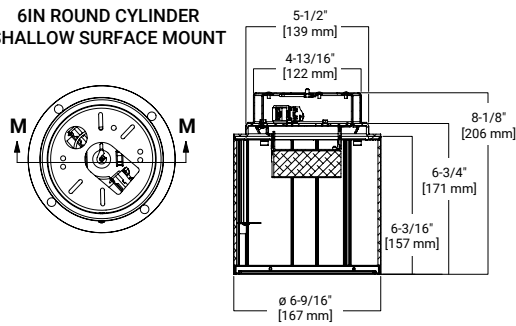
Minimum starting temperature -30°C (-22°F)*
(Nominal input 120-277VAC & 100% of rated output power)

Sound Rating: Class A standards

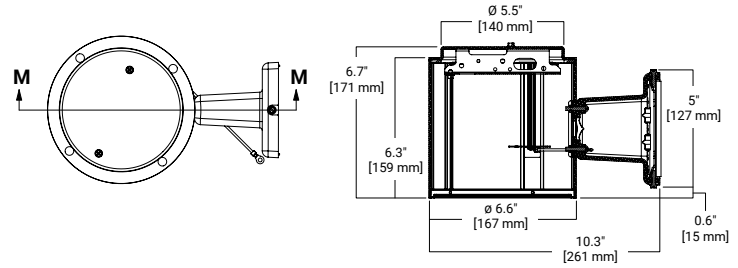
Notes:
Emergency Battery packs are rated for a minimum starting temperature of 0°C.

Dimensional and Mounting Details

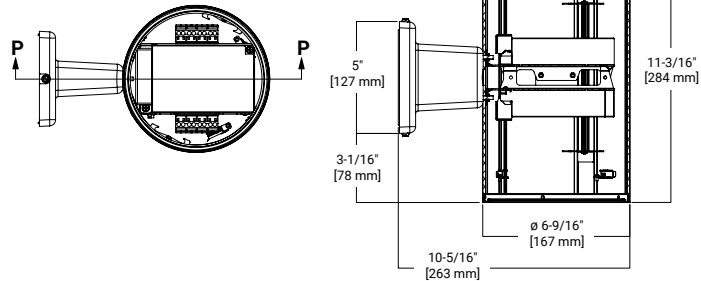
**6IN ROUND CYLINDER
SHALLOW SURFACE MOUNT**



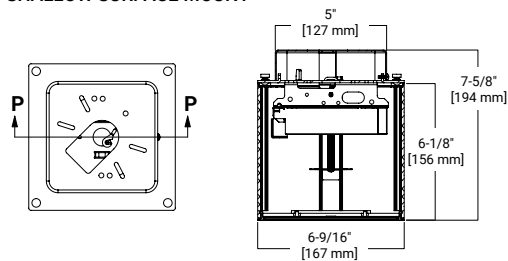
**6IN ROUND CYLINDER
SHALLOW WALL MOUNT**



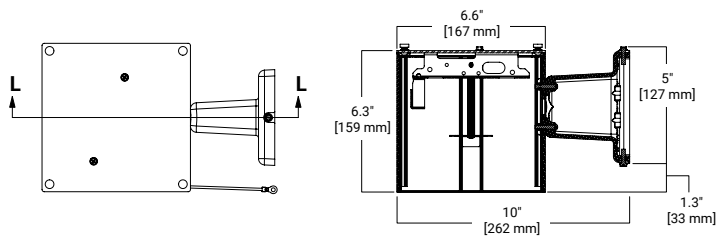
**6IN ROUND CYLINDER
SHALLOW UP DOWN**



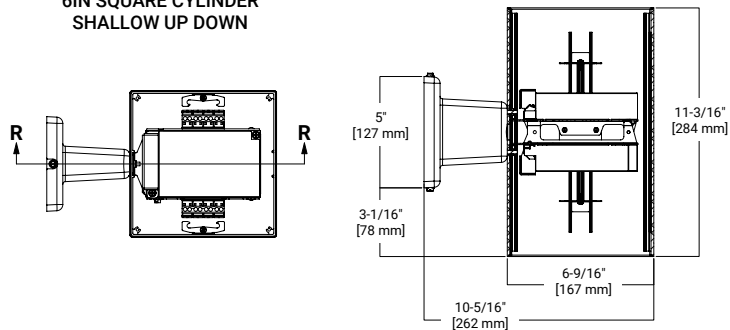
**6IN SQUARE CYLINDER
SHALLOW SURFACE MOUNT**



**6IN SQUARE CYLINDER
SHALLOW WALL MOUNT**

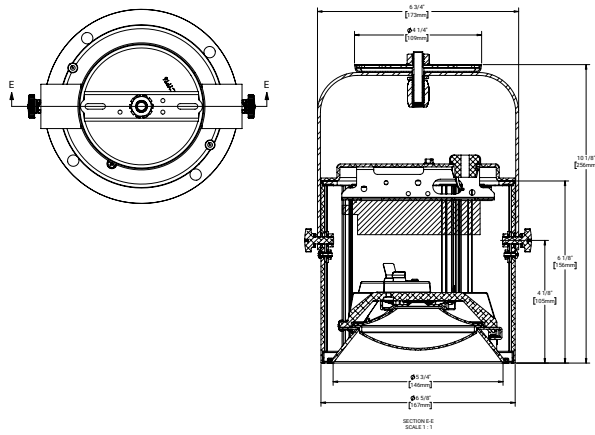


**6IN SQUARE CYLINDER
SHALLOW UP DOWN**

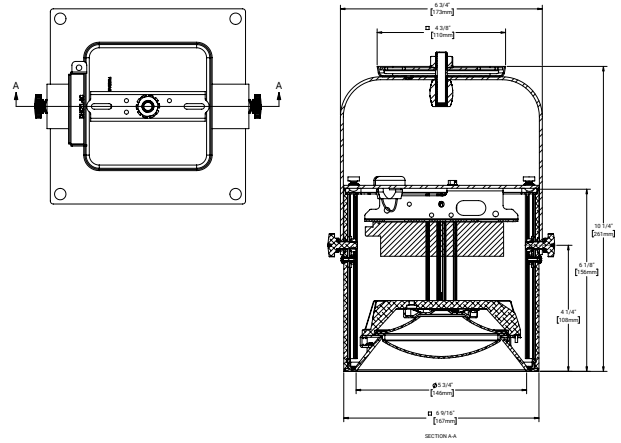


Dimensional and Mounting Details

6IN ROUND CYLINDER
SHALLOW YOKE MOUNT



6IN SQUARE CYLINDER
SHALLOW YOKE MOUNT



Connected Solutions

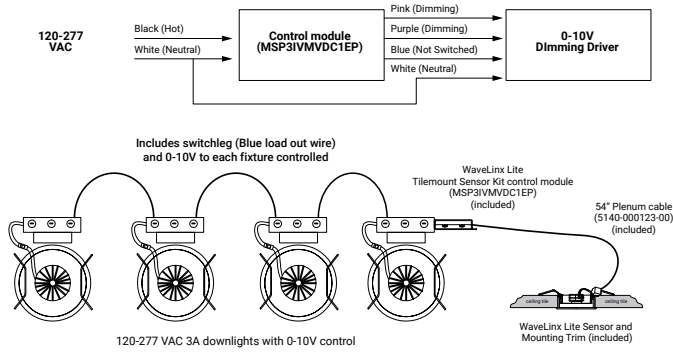
WaveLinX LITE - WLST Tilemount Sensor



- Intuitive Android™ or Apple® iOS® app for basic system code compliant set up and configuration via Bluetooth
- Up to 28 unique areas per project site (WaveLinX LITE Bluetooth network)
- Up to 50 devices for an area, any one of 16 control zones, up to 6 occupancy sets, and custom lighting scenes
- Automatic occupancy or vacancy, sensor sensitivity, daylight dimming, etc. configurable through the app
- Refer to the WaveLinX system specifications for details



WaveLinX LITE WLST Tilemount Wiring Diagram



WaveLinX LITE Bluetooth Enabled System



WaveLinX PRO Wireless – WPST Tilemount Sensor



- WaveLinX PRO Wireless functionality configures zones and customizes settings from one secure mobile app
- Automatic code commissioning that meets the strictest codes
- Fixtures and sensors integrate with Wireless Area Controller, Wall Stations, and Control Devices
- Stand-Along Offices or Entire Building Network Installations

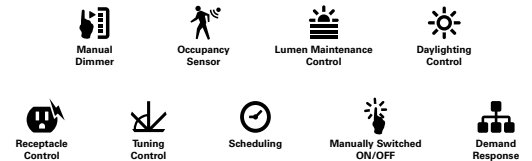
Downlights with tilemount sensor wireless communication
Highly efficient LED fixtures

WaveLinX Area Controller
Provides centralized coordination of multiple area control options

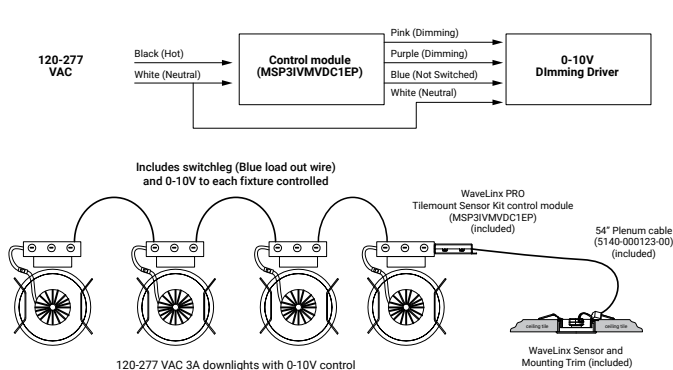
Wireless Wall Station/Receptacle
Provides customized wireless control of each area

Mobile Applications
Provides personalized, local control from a tablet or smartphone

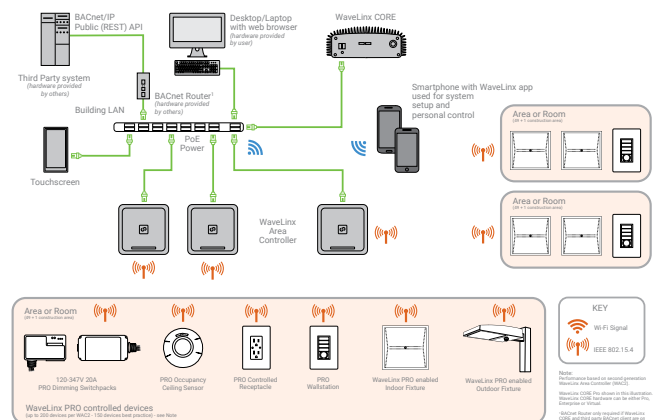
WaveLinX mobile app settings



WaveLinX PRO WPST Tilemount Wiring Diagram



WaveLinX CORE Building Management Integration



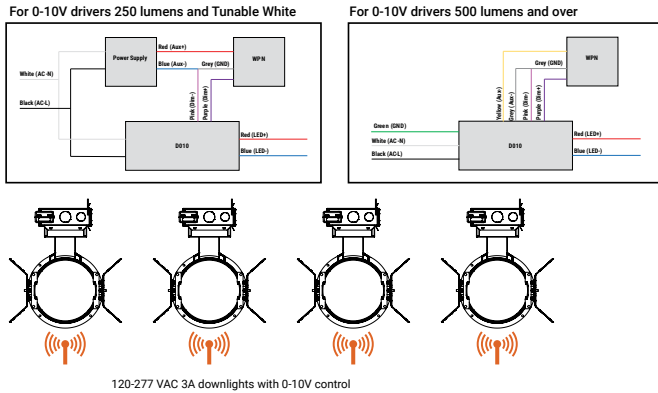
Connected Solutions

WaveLinx PRO Wireless Node - WPN

- WaveLinx Wireless functionality configures zones and customizes settings from one secure mobile app
- Automatic code commissioning that meets the strictest codes
- Fixtures and sensors integrate with WaveLinx Area Controller, Wall Stations, and Control Devices
- Stand-Alone Offices or Entire Building Network Installations



WaveLinx PRO Wireless Node (WPN) Wiring Diagram



WaveLinx CORE Building Management Integration

